

SPECIFICATIONS	Model	40U2.25S								
		U-series								
		0.25kW, 1-phase								
<p>Type of Pump Submersible cast iron vortex pump suitable for pumping sewage, wastewater, storm water, etc.</p> <p>Type of Fluid Sewage, wastewater, and water carrying solid matters</p> <p>Temperature: 0 to 40°C (High temperature model available on special request)</p> <p>Discharge Bore 40mm</p> <p>Motor Output 0.25kW</p> <p>Power Supply Single-phase</p> <p>Starting Method Split-phase</p> <p>Motor Continuous-duty rated, dry-type induction motor</p> <p>Insulation Class: E (available in F on special request) Degree of Protection: IP68</p> <p>No. of Poles & Speed (Synchronous Speed) 2-pole, 3000/3600min⁻¹ (50/60Hz)</p> <p>Power Supply Voltages & Rated Currents</p> <table border="0"> <tr> <td>50Hz</td> <td>60Hz</td> </tr> <tr> <td>220V – 3.2A</td> <td>110V – 5.0A</td> </tr> <tr> <td>230V – 3.0A</td> <td>220V – 2.5A</td> </tr> <tr> <td>240V – 2.9A</td> <td></td> </tr> </table> <p>Power Cable Sheath: PVC Standard Length: 5m 100 to 240V supply: 1 × 3 × 1.25mm², O.D. 10.1mm</p> <p>Dry Weight (excluding cable) 14kg</p>	50Hz	60Hz	220V – 3.2A	110V – 5.0A	230V – 3.0A	220V – 2.5A	240V – 2.9A			<p>Impeller Vortex impeller, dynamically balanced</p> <p>Solids Passage 50Hz – ϕ35mm 60Hz – ϕ35mm</p> <p>Cable Entry with Anti-Wicking Block Watertight cable entry with strain-relief device. The anti-wicking block prevents water incursion due to capillary action should the power cable be damaged or the end submerged.</p> <p>Bearings Permanently lubricated, deep-groove, double-shielded C3 ball bearings</p> <p>Shaft 420 stainless steel</p> <p>Shaft Seal (Mechanical Seal) Furnished with a double-face mechanical seal located in oil chamber. Both upper and lower seal faces always run in a clean environment.</p> <p>Upper Seal Faces: Ceramic + Carbon Lower Seal Faces: SiC + Ceramic</p> <p>Oil Seal (Lip Seal) Used as a “Dust Seal”; it protects the mechanical seal from abrasive particles.</p> <p>OIL LIFTER (Patented) Equipped in oil chamber. It forcibly supplies lubricating oil to the mechanical seal and continues to supply the oil to the upper seal faces even if lubricant falls below the rated volume.</p> <p>Type of Lubricating Oil & Volume Turbine Oil (ISO VG32), 170ml</p> <p>Motor Protection Device A circle thermal protector built in the motor housing. Directly cuts the motor circuit if excessive heat builds up or an overcurrent condition occurs in the motor.</p>
50Hz	60Hz									
220V – 3.2A	110V – 5.0A									
230V – 3.0A	220V – 2.5A									
240V – 2.9A										
<p>Optional Accessories</p> <p>TOK Set (Guide Rail Fitting Type)</p> <ul style="list-style-type: none"> • Duckfoot Bend • Guide Support • Guide Hook • Lifting Chain 4m (with Shackles) 										
TSURUMI MANUFACTURING CO., LTD.										

NO. A-11983-1

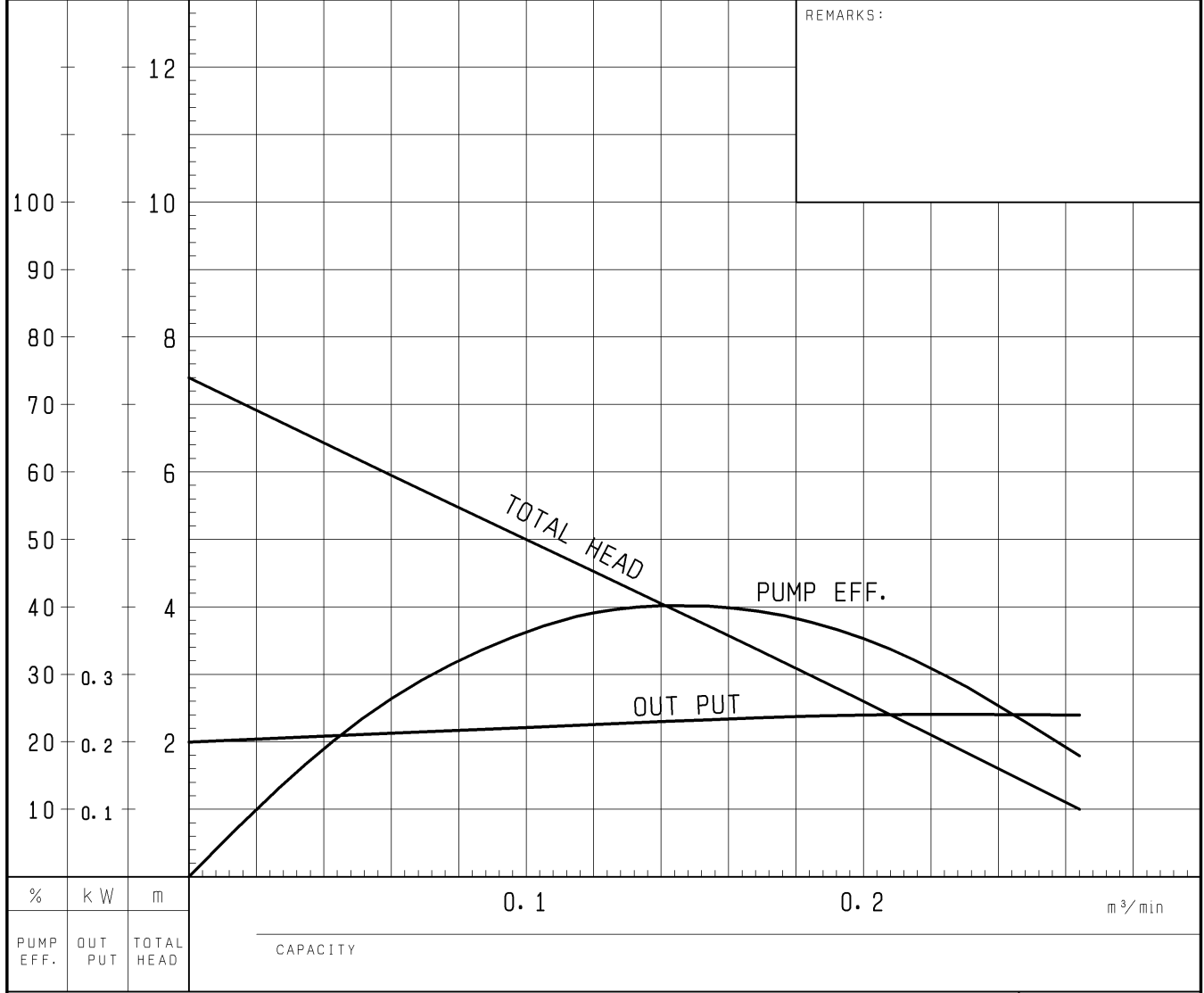
PUMP PERFORMANCE CURVES

TYPE	Sewage Submersible Vortex Pump	MODEL	40U2.25S -52	FREQUENCY	50 Hz
------	-----------------------------------	-------	--------------	-----------	-------

CUSTOMER'S NAME _____

EQUIPMENT TITLE _____ NO. _____

	STANDARD SPECIFICATIONS	REQUIRED SPECIFICATIONS
DISCHARGE BORE	40 mm	mm
TOTAL HEAD	4.0 m	m
CAPACITY	0.14 m ³ /min	m ³ /min
MOTOR OUTPUT	0.25 kW	kW
PHASE x VOLTAGE	1 ϕ x V	ϕ x V
CURRENT	A	A
POLES / REVOLUTION	2 P / S. S. 3000 min ⁻¹	P / min ⁻¹
STARTING METHOD	SPLIT-PHASE START	
INSULATION CLASS	E	

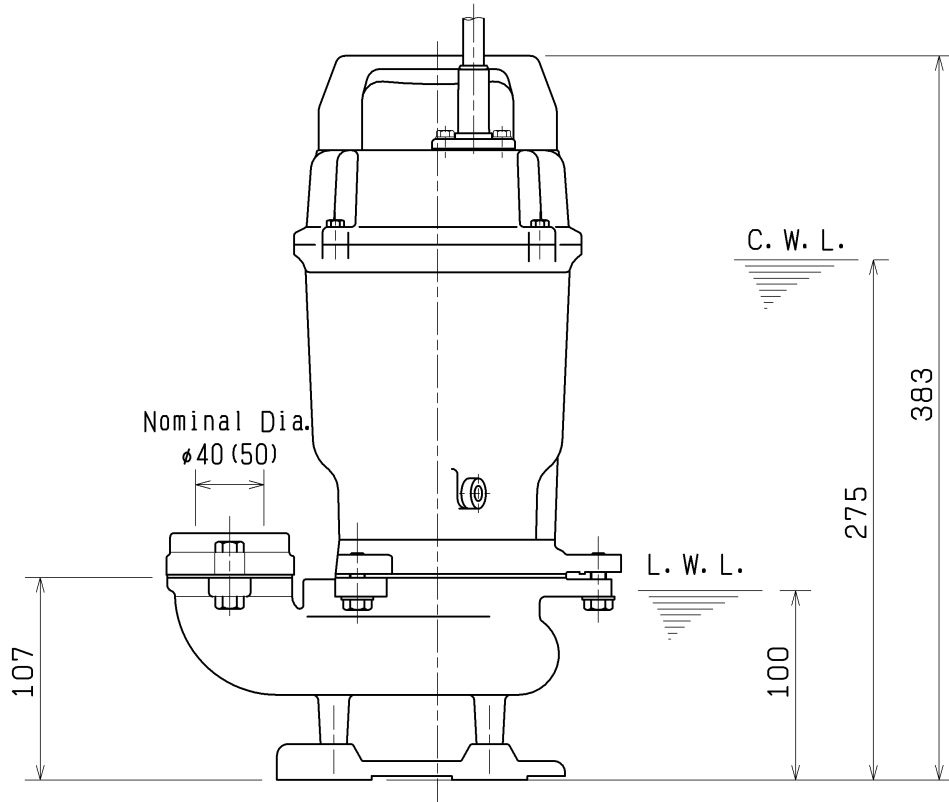
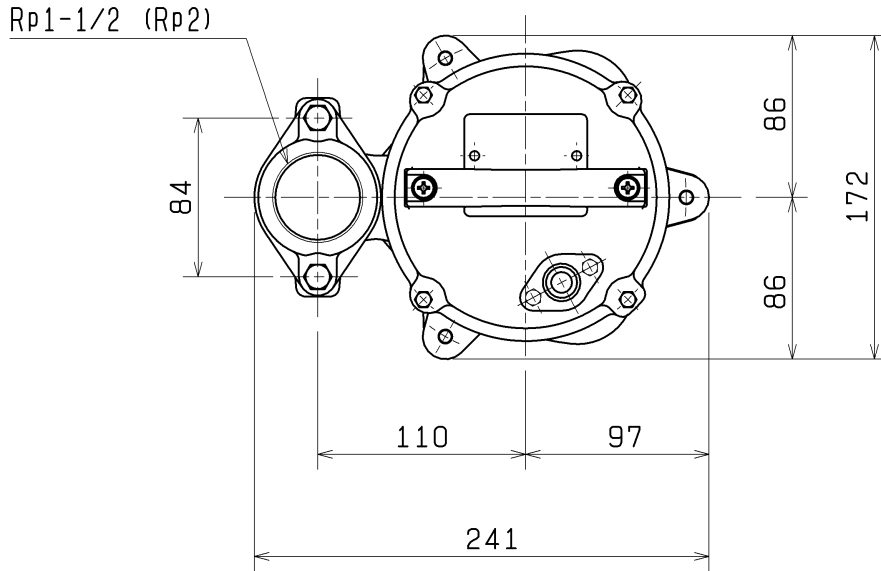


TSURUMI MFG. CO., LTD.

DIMENSION DRAWING		No.	No. A-11993-2
TYPE	Sewage Submersible Vortex Pump	MODEL	40U2.25S -52/62 40U2.25 -52/62

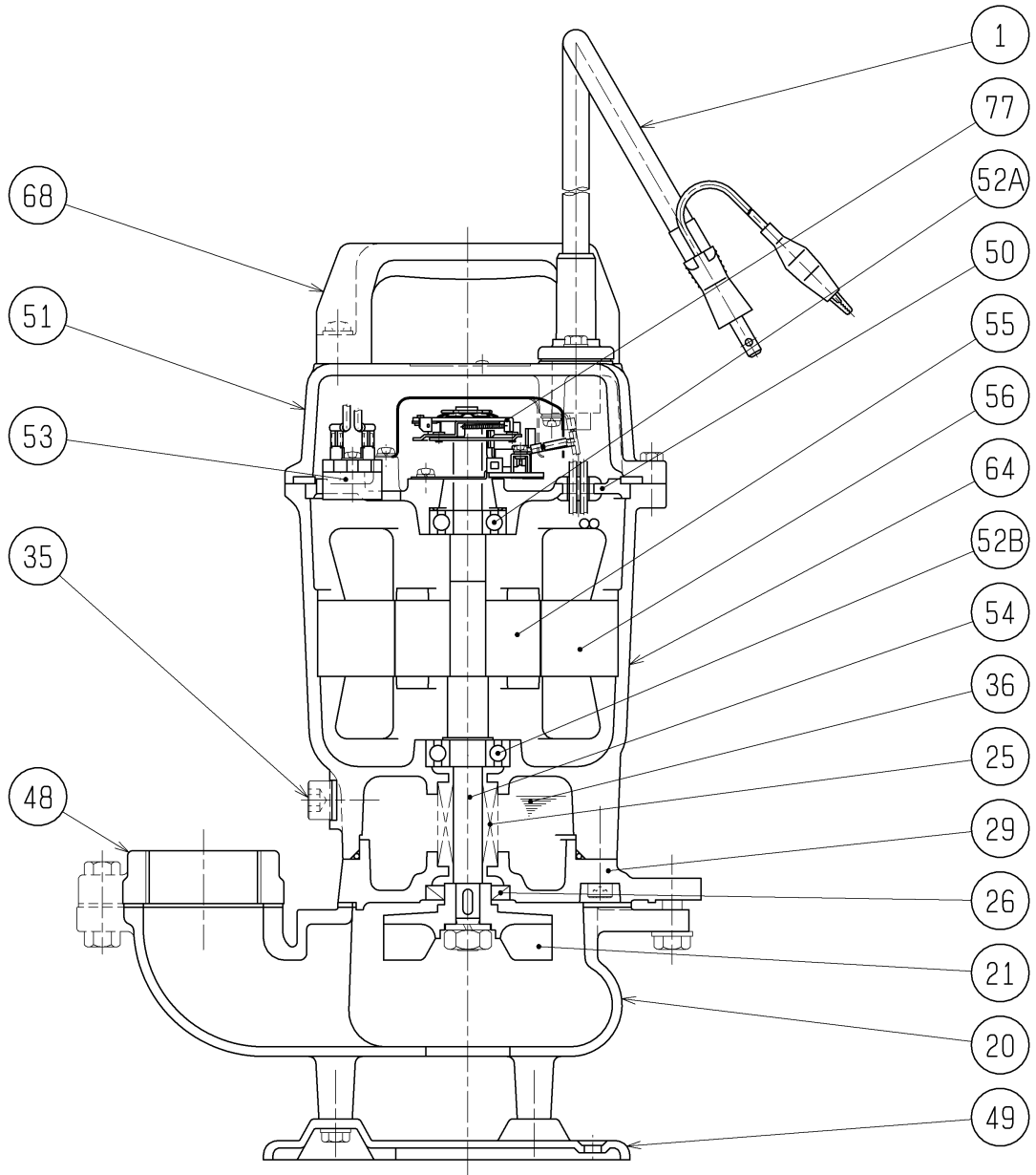
MODEL	Approximate Weight(※)
40U2.25S-52/62	14kg
40U2.25 -52/62	13.5kg

※excluding cable



C.W.L. :Continuous Running Water Level
L.W.L. :Lowest Running Water Level

SECTIONAL DRAWING		No.	No. A-11996-2
TYPE	Sewage Submersible Vortex Pump	MODEL	40U2.25S -52/62



REQ. SPECIFICATION

No.	DESCRIPTION	Q'TY	MATERIAL / NOTE	No.	DESCRIPTION	Q'TY	MATERIAL / NOTE
1	Cable	1	PVC Sheath	52A	Upper Bearing	1	6201ZZC3
20	Pump Casing	1	Gray Iron Casting	52B	Lower Bearing	1	6202ZZC3
21	Impeller	1	Gray Iron Casting	53	Motor Protector	1	
25	Mechanical Seal	1	D-12RC	54	Shaft	1	Stainless Steel 403
26	Oil Seal	1	VC20356	55	Rotor	1	
29	Oil Casing	1	Gray Iron Casting	56	Stator	1	
35	Oil Plug	1	Stainless Steel 304	64	Motor Frame	1	Gray Iron Casting
36	Lubricant		Turbine Oil (ISO VG32)	68	Handle	1	Plastic
48	Screwed Flange	1	Gray Iron Casting	77	Centrifugal Switch	1	
49	Bottom Plate	1	Nylon				
50	Motor Bracket	1	Gray Iron Casting				
51	Head Cover	1	Gray Iron Casting				