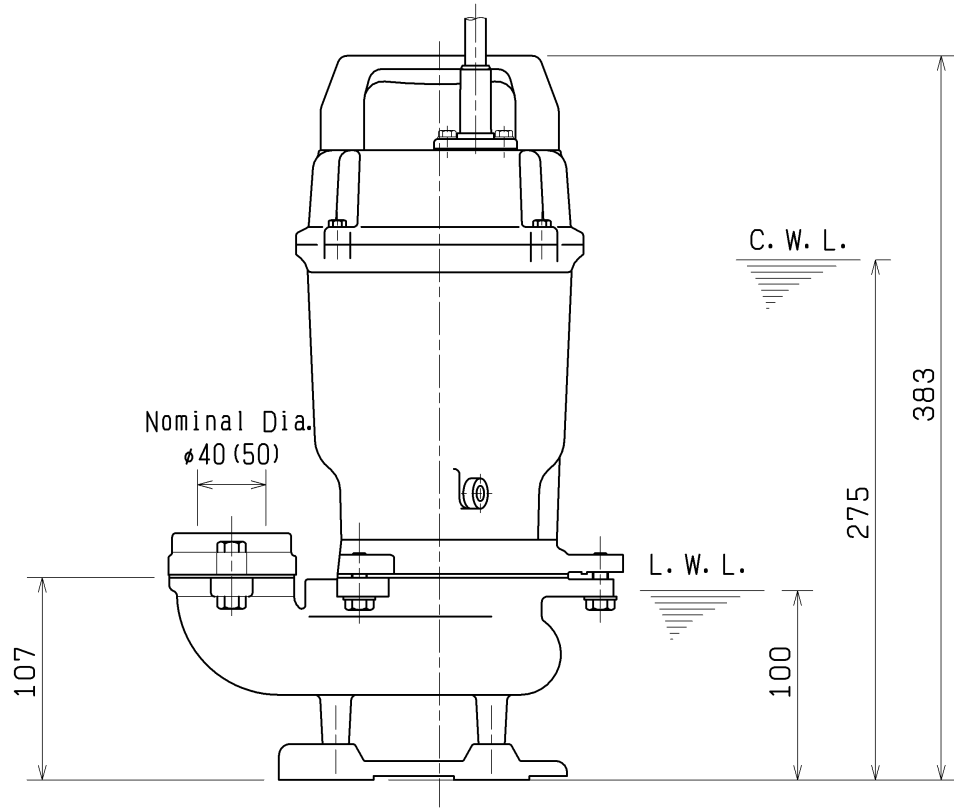
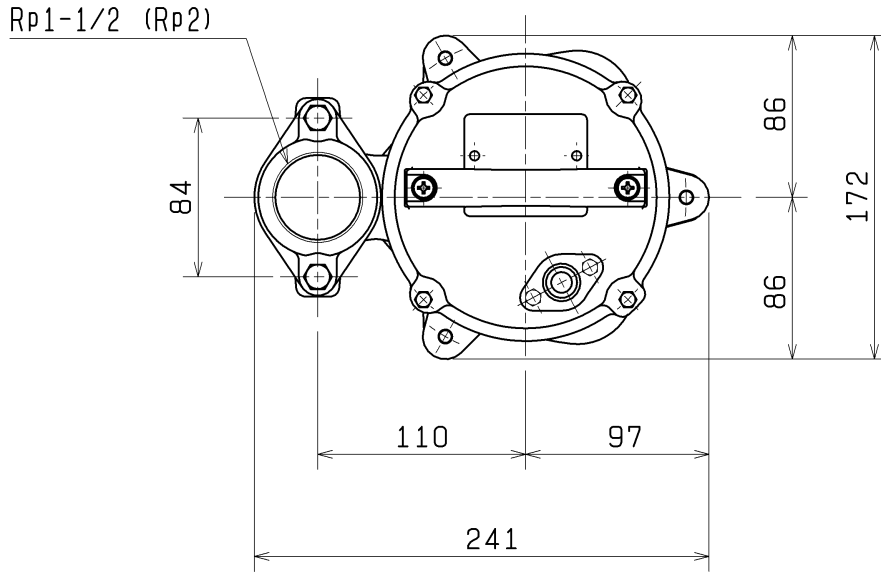


SPECIFICATIONS	Model	U-series							
	40U2.25	0.25kW, 3-phase							
<p>Type of Pump Submersible cast iron vortex pump suitable for pumping sewage, wastewater, storm water, etc.</p> <p>Type of Fluid Sewage, wastewater, and water carrying solid matters</p> <p>Temperature: 0 to 40°C (High temperature model available on special request)</p> <p>Discharge Bore 40mm</p> <p>Motor Output 0.25kW</p> <p>Power Supply Three-phase</p> <p>Starting Method Direct on Line</p> <p>Motor Continuous-duty rated, dry-type induction motor</p> <p>Insulation Class: E (available in F on special request) Degree of Protection: IP68</p> <p>No. of Poles & Speed (Synchronous Speed) 2-pole, 3000/3600min⁻¹ (50/60Hz)</p> <p>Power Supply Voltages & Rated Currents</p> <table border="0"> <tr> <td>50Hz</td> <td>60Hz</td> </tr> <tr> <td>380V – 0.75A</td> <td>220V – 1.3 A</td> </tr> <tr> <td>400V – 0.75A</td> <td>380V – 0.75A</td> </tr> <tr> <td>415V – 0.75A</td> <td>440V – 0.65A</td> </tr> </table> <p>Power Cable Sheath: PVC Standard Length: 6m 200 to 600V supply: 1 × 4 × 1.25mm², O.D. 11.1mm</p> <p>Dry Weight (excluding cable) 13.5kg</p>	50Hz	60Hz	380V – 0.75A	220V – 1.3 A	400V – 0.75A	380V – 0.75A	415V – 0.75A	440V – 0.65A	<p>Impeller Vortex impeller, dynamically balanced</p> <p>Solids Passage 50Hz – ϕ35mm 60Hz – ϕ35mm</p> <p>Cable Entry with Anti-Wicking Block Watertight cable entry with strain-relief device. The anti-wicking block prevents water incursion due to capillary action should the power cable be damaged or the end submerged.</p> <p>Bearings Permanently lubricated, deep-groove, double-shielded C3 ball bearings</p> <p>Shaft 420 stainless steel</p> <p>Shaft Seal (Mechanical Seal) Furnished with a double-face mechanical seal located in oil chamber. Both upper and lower seal faces always run in a clean environment.</p> <p>Upper Seal Faces: Ceramic + Carbon Lower Seal Faces: SiC + Ceramic</p> <p>Oil Seal (Lip Seal) Used as a “Dust Seal”; it protects the mechanical seal from abrasive particles.</p> <p>OIL LIFTER (Patented) Equipped in oil chamber. It forcibly supplies lubricating oil to the mechanical seal and continues to supply the oil to the upper seal faces even if lubricant falls below the rated volume.</p> <p>Type of Lubricating Oil & Volume Turbine Oil (ISO VG32), 170ml</p> <p>Motor Protection Device A circle thermal protector built in the motor housing. Directly cuts the motor circuit if excessive heat builds up or an overcurrent condition occurs in the motor.</p>
50Hz	60Hz								
380V – 0.75A	220V – 1.3 A								
400V – 0.75A	380V – 0.75A								
415V – 0.75A	440V – 0.65A								
<p>Optional Accessories</p> <p>TOK Set (Guide Rail Fitting Type)</p> <ul style="list-style-type: none"> • Duckfoot Bend • Guide Support • Guide Hook • Lifting Chain 4m (with Shackles) 									
TSURUMI MANUFACTURING CO., LTD.									

DIMENSION DRAWING		No.	No. A-11993-2
TYPE	Sewage Submersible Vortex Pump	MODEL	40U2.25S -52/62 40U2.25 -52/62

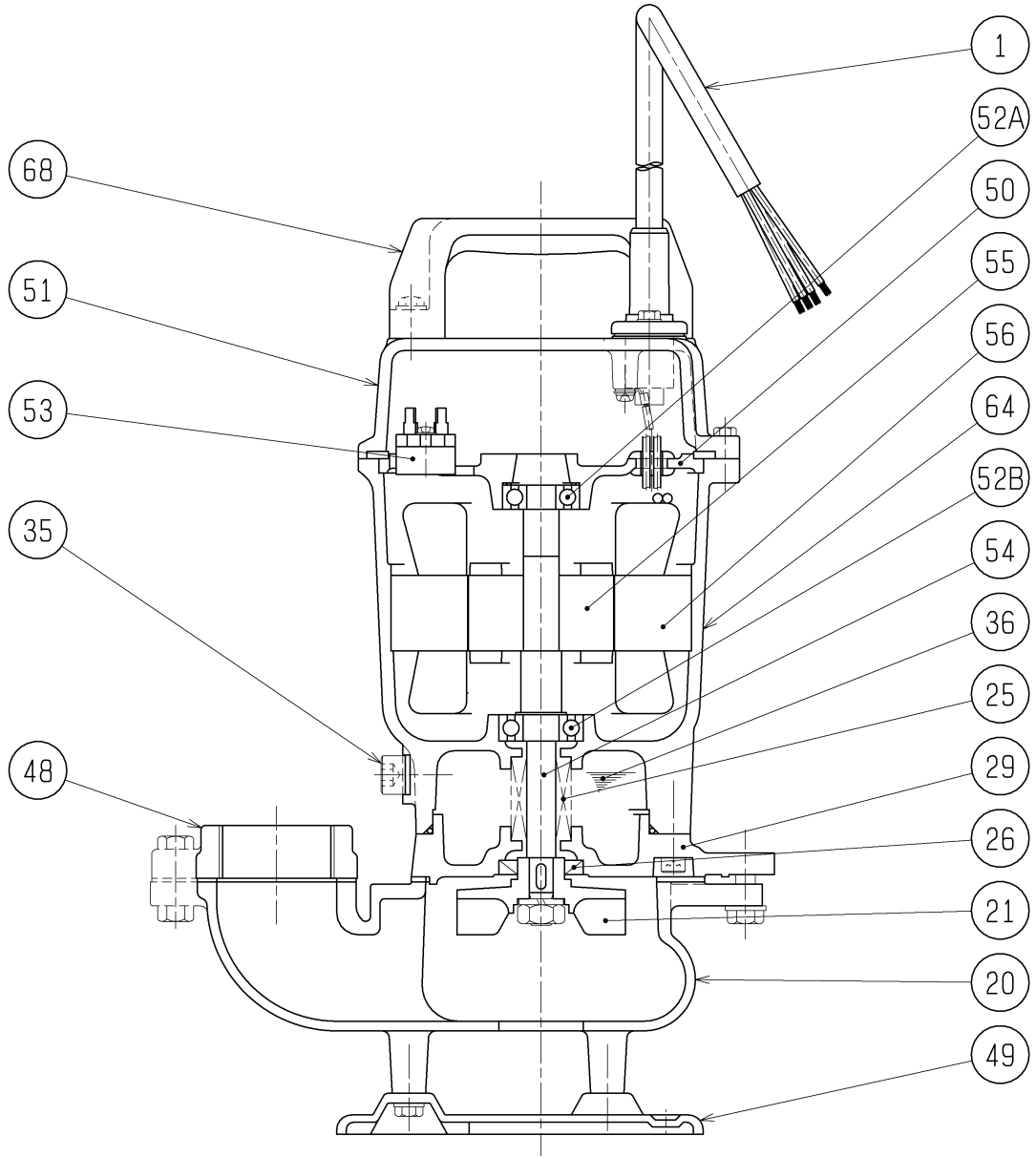
MODEL	Approximate Weight (※)
40U2.25S-52/62	14kg
40U2.25 -52/62	13.5kg

※excluding cable



C.W.L. :Continuous Running Water Level
L.W.L. :Lowest Running Water Level

SECTIONAL DRAWING		No.	No. A-11997-2
TYPE	Sewage Submersible Vortex Pump	MODEL	40U2.25 -52/62



REQ. SPECIFICATION

No.	DESCRIPTION	Q'TY	MATERIAL / NOTE	No.	DESCRIPTION	Q'TY	MATERIAL / NOTE
1	Cable	1	PVC Sheath	52A	Upper Bearing	1	6201ZC3
20	Pump Casing	1	Gray Iron Casting	52B	Lower Bearing	1	6202ZC3
21	Impeller	1	Gray Iron Casting	53	Motor Protector	1	
25	Mechanical Seal	1	D-12RC	54	Shaft	1	Stainless Steel 403
26	Oil Seal	1	VC20356	55	Rotor	1	
29	Oil Casing	1	Gray Iron Casting	56	Stator	1	
35	Oil Plug	1	Stainless Steel 304	64	Motor Frame	1	Gray Iron Casting
36	Lubricant		Turbine Oil (ISO VG32)	68	Handle	1	Plastic
48	Screwed Flange	1	Gray Iron Casting				
49	Bottom Plate	1	Nylon				
50	Motor Bracket	1	Gray Iron Casting				
51	Head Cover	1	Gray Iron Casting				