

SPECIFICATIONS	Model	U-series								
	50U2.4S	0.4kW, 1-phase								
<p>Type of Pump Submersible cast iron vortex pump suitable for pumping sewage, wastewater, storm water, etc.</p> <p>Type of Fluid Sewage, wastewater, and water carrying solid matters</p> <p>Temperature: 0 to 40°C (High temperature model available on special request)</p> <p>Discharge Bore 50mm</p> <p>Motor Output 0.4kW</p> <p>Power Supply Single-phase</p> <p>Starting Method Capacitor Start</p> <p>Motor Continuous-duty rated, dry-type induction motor</p> <p>Insulation Class: E (available in F on special request) Degree of Protection: IP68</p> <p>No. of Poles & Speed (Synchronous Speed) 2-pole, 3000/3600min⁻¹ (50/60Hz)</p> <p>Power Supply Voltages & Rated Currents</p> <table border="0"> <tr> <td>50Hz</td> <td>60Hz</td> </tr> <tr> <td>220V – 3.6A</td> <td>110V – 6.7A</td> </tr> <tr> <td>230V – 3.4A</td> <td>220V – 3.4A</td> </tr> <tr> <td>240V – 3.2A</td> <td></td> </tr> </table> <p>Power Cable Sheath: PVC Standard Length: 5m 100 to 240V supply: 1 × 3 × 1.25mm², O.D. 10.1mm</p> <p>Dry Weight (excluding cable) 20kg</p>	50Hz	60Hz	220V – 3.6A	110V – 6.7A	230V – 3.4A	220V – 3.4A	240V – 3.2A		<p>Impeller Vortex impeller, dynamically balanced</p> <p>Solids Passage 50Hz – ϕ35mm 60Hz – ϕ35mm</p> <p>Cable Entry with Anti-Wicking Block Watertight cable entry with strain-relief device. The anti-wicking block prevents water incursion due to capillary action should the power cable be damaged or the end submerged.</p> <p>Bearings Permanently lubricated, deep-groove, double-shielded C3 ball bearings</p> <p>Shaft 420 stainless steel</p> <p>Shaft Seal (Mechanical Seal) Furnished with a double-face mechanical seal located in oil chamber. Both upper and lower seal faces always run in a clean environment.</p> <p>Upper Seal Faces: Ceramic + Carbon Lower Seal Faces: SiC + Ceramic</p> <p>Oil Seal (Lip Seal) Used as a “Dust Seal”; it protects the mechanical seal from abrasive particles.</p> <p>OIL LIFTER (Patented) Equipped in oil chamber. It forcibly supplies lubricating oil to the mechanical seal and continues to supply the oil to the upper seal faces even if lubricant falls below the rated volume.</p> <p>Type of Lubricating Oil & Volume Turbine Oil (ISO VG32), 160ml</p> <p>Motor Protection Device A circle thermal protector built in the motor housing. Directly cuts the motor circuit if excessive heat builds up or an overcurrent condition occurs in the motor.</p>	<p>Optional Accessories</p> <p>TOK Set (Guide Rail Fitting Type)</p> <ul style="list-style-type: none"> • Duckfoot Bend • Guide Support • Guide Hook • Lifting Chain 4m (with Shackles)
50Hz	60Hz									
220V – 3.6A	110V – 6.7A									
230V – 3.4A	220V – 3.4A									
240V – 3.2A										
TSURUMI MANUFACTURING CO., LTD.										

NO. A-18277-1

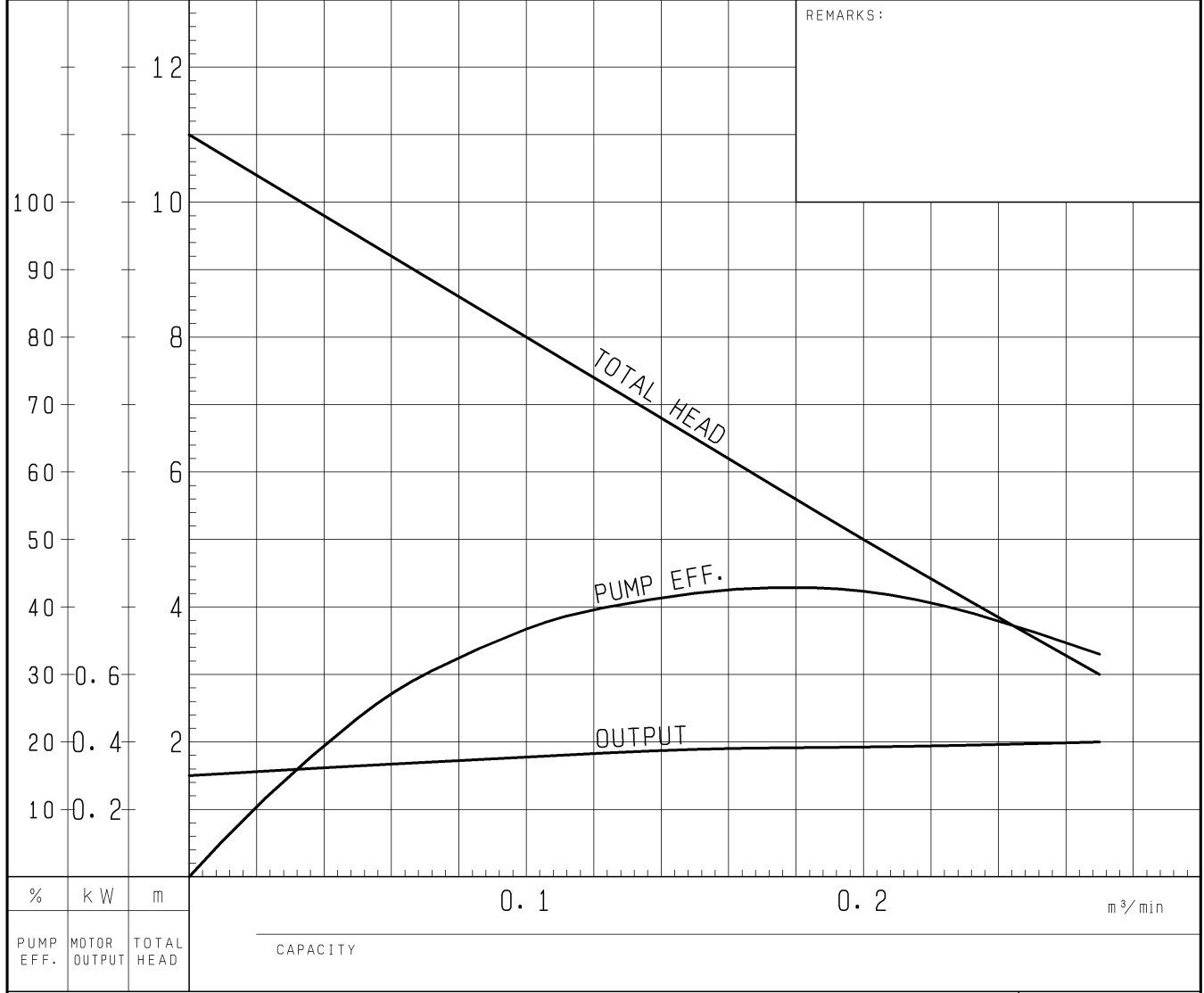
PUMP PERFORMANCE CURVES

TYPE Sewage Submersible Vortex Pump	MODEL 50U2.4S -52 50UA2.4S -52 50UW2.4S -52	FREQUENCY 50 Hz
----------------------------------------	---------------------------------------------------	-----------------

CUSTOMER'S NAME _____

EQUIPMENT TITLE _____ NO. _____

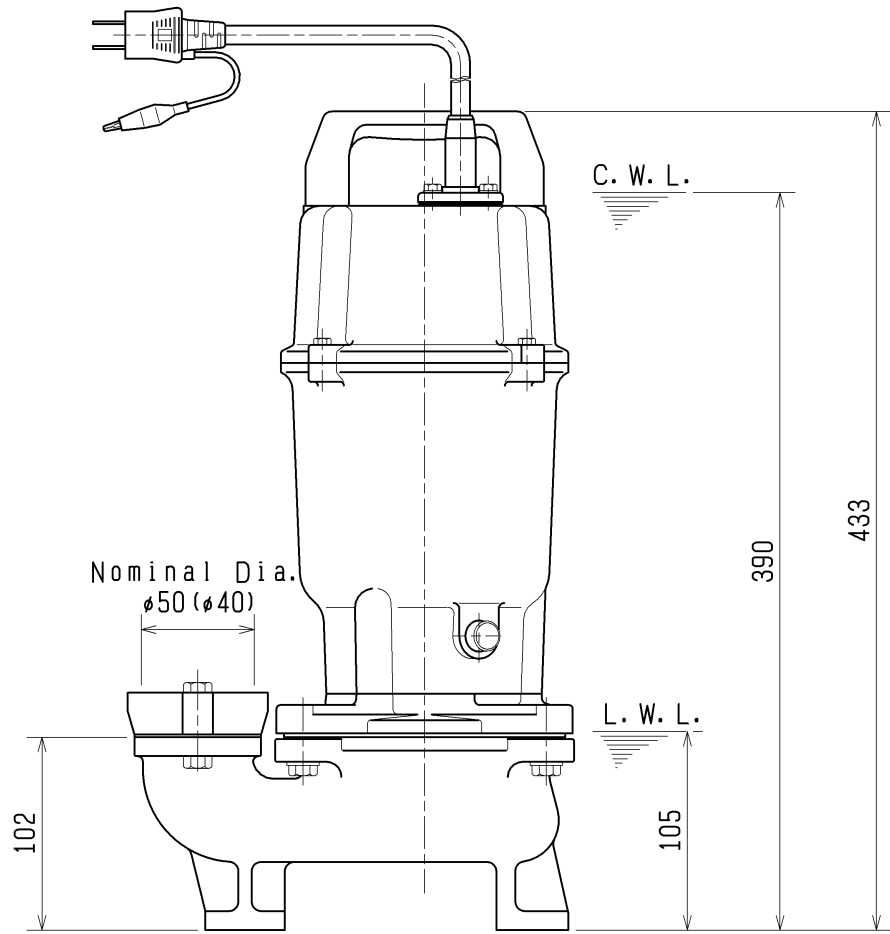
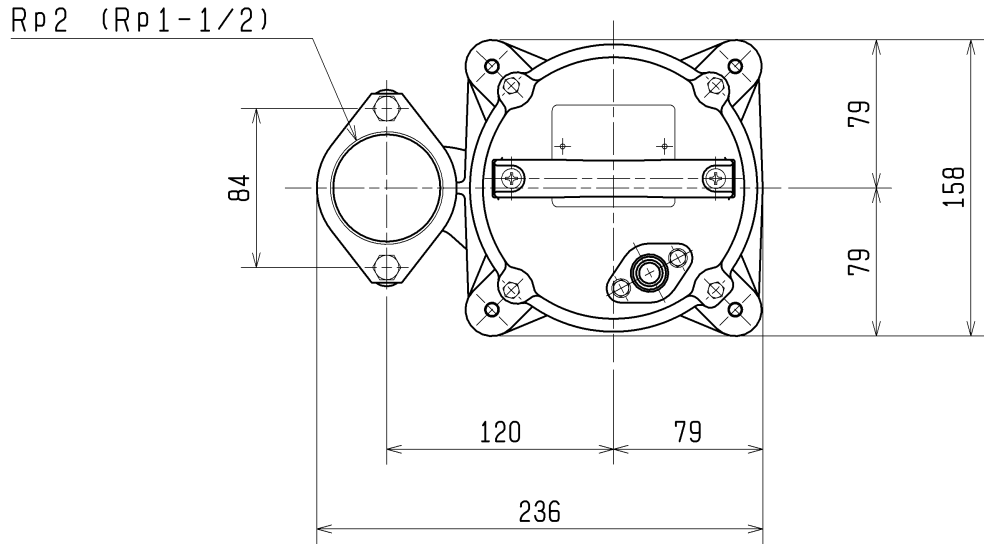
	STANDARD SPECIFICATIONS	REQUIRED SPECIFICATIONS
DISCHARGE BORE	50 mm	mm
TOTAL HEAD	6.5 m	m
CAPACITY	0.15 m ³ /min	m ³ /min
MOTOR OUTPUT	0.4 kW	kW
PHASE x VOLTAGE	1 ϕ x V	ϕ x V
CURRENT	A	A
POLES / REVOLUTION	2 P / s. s. 3000 min ⁻¹	P / min ⁻¹
STARTING METHOD	CAPACITOR START	
INSULATION CLASS	E	



TSURUMI MFG. CO., LTD.

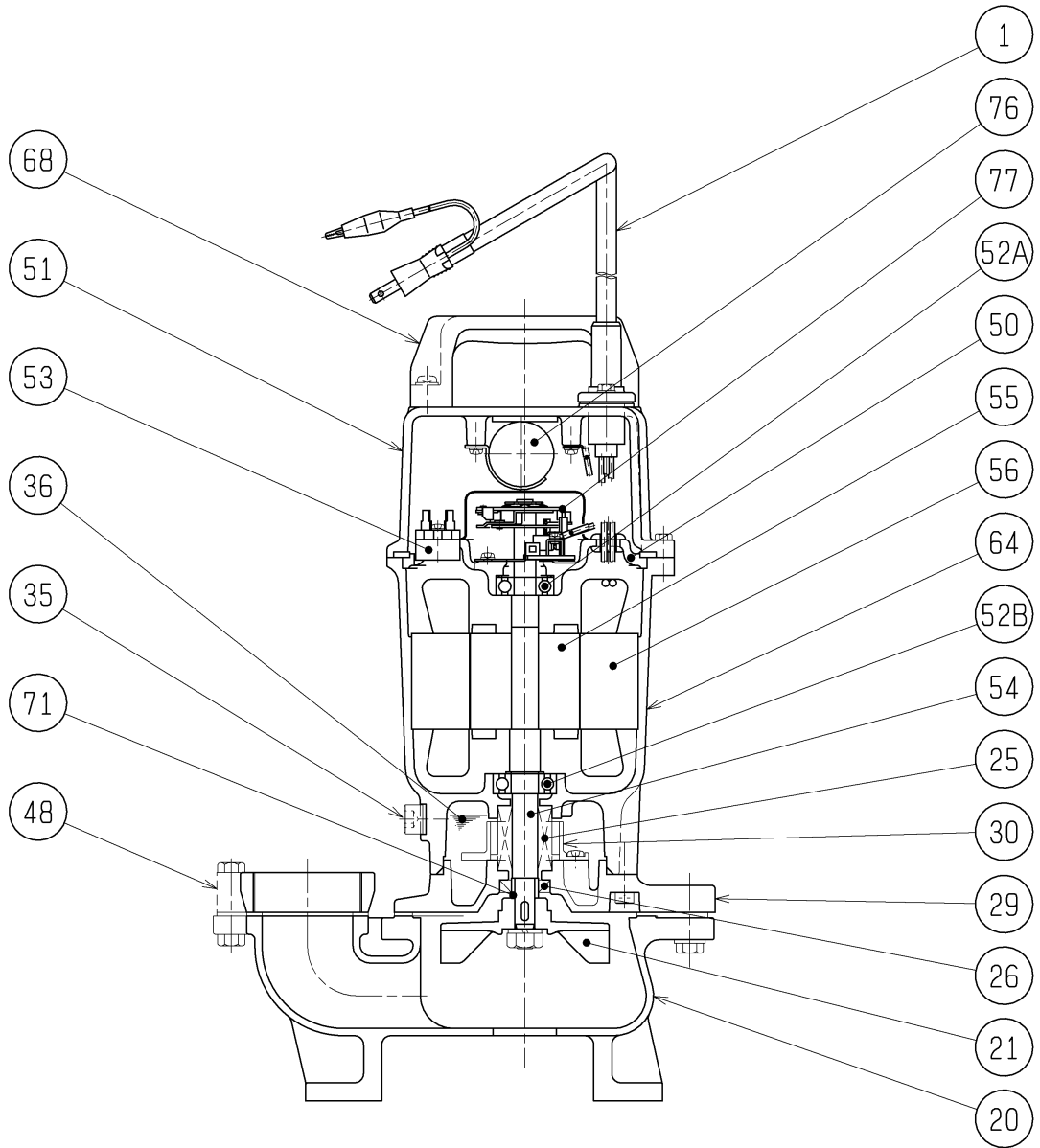
DIMENSION DRAWING		No.	No. A-18293-3
TYPE	Sewage Submersible Vortex Pump	MODEL	50U2.4S -52/62

Approximate Weight(*)
20kg
*excluding cable



C. W. L. : Continuous running Water Level
L. W. L. : Lowest running Water Level

SECTIONAL DRAWING		No.	No. A-18314-2
TYPE	Sewage Submersible Vortex Pump	MODEL	50U2.4S -52/62



REQ. SPECIFICATION

No.	DESCRIPTION	Q'TY	MATERIAL / NOTE	No.	DESCRIPTION	Q'TY	MATERIAL / NOTE
1	Cable	1	PVC Sheath	52B	Lower Bearing	1	6202ZC3
20	Pump Casing	1	Gray Iron Casting	53	Motor Protector	1	
21	Impeller	1	Gray Iron Casting	54	Shaft	1	Stainless Steel 420J2
25	Mechanical Seal	1	W-14HC	55	Rotor	1	
26	Oil Seal	1	SC15287	56	Stator	1	
29	Oil Casing	1	Gray Iron Casting	64	Motor Frame	1	Gray Iron Casting
30	Oil Lifter	1	Plastic	68	Handle	1	Plastic
35	Oil Plug	1	Stainless Steel 304	71	Shaft Sleeve	1	Stainless Steel 430
36	Lubricant		Turbine Oil (ISO VG32)	76	Capacitor	1	
48	Screwed Flange	1	Gray Iron Casting	77	Centrifugal Switch	1	
50	Motor Bracket	1	Gray Iron Casting				
51	Head Cover	1	Gray Iron Casting				
52A	Upper Bearing	1	6201ZC3				