

SPECIFICATIONS	Model	150B47.5L	
		B-series 7.5kW, 3-phase	

<p>Type of Pump Submersible cast iron pump suitable for pumping sewage, wastewater, storm water, etc.</p> <p>Type of Fluid Sewage, wastewater, and water carrying solid matters</p> <p>Temperature: 0 to 40°C (High temperature model available on special request)</p> <p>Discharge Bore 150mm</p> <p>Motor Output 7.5kW</p> <p>Power Supply Three-phase</p> <p>Starting Method Direct on Line (Star-Delta available on special request)</p> <p>Motor Continuous-duty rated, dry-type induction motor</p> <p>Insulation Class: F Degree of Protection: IP68</p> <p>No. of Poles & Speed (Synchronous Speed) 4-pole, 1500/1800min⁻¹ (50/60Hz)</p> <p>Power Supply Voltages & Rated Currents</p> <table border="0"> <tr> <td>50Hz</td> <td>60Hz</td> </tr> <tr> <td>380V – 16.3A</td> <td>220V – 27.6A</td> </tr> <tr> <td>400V – 15.9A</td> <td>380V – 15.6A</td> </tr> <tr> <td>415V – 15.7A</td> <td>440V – 13.7A</td> </tr> </table> <p>Power Cable Sheath: Chloroprene rubber Standard Length: 8m 200 to 600V supply: 1 × 4 × 5.5mm², O.D. 16.8mm</p> <p>Dry Weight (excluding cable) Free Standing Type: 200kg Guide Rail Fitting Type: 175kg</p>	50Hz	60Hz	380V – 16.3A	220V – 27.6A	400V – 15.9A	380V – 15.6A	415V – 15.7A	440V – 13.7A	<p>Impeller Shrouded two-channel impeller for solid-handling design, dynamically balanced</p> <p>Solids Passage 50Hz – φ60mm 60Hz – φ50mm</p> <p>Cable Entry with Anti-Wicking Block Watertight cable entry with strain-relief device. The anti-wicking block prevents water incursion due to capillary action should the power cable be damaged or the end submerged.</p> <p>Bearings Permanently lubricated, deep-groove, double-shielded C3 ball bearings</p> <p>Shaft 420 stainless steel</p> <p>Shaft Seal (Mechanical Seal) Furnished with a double-face mechanical seal located in oil chamber. Both upper and lower seal faces always run in a clean environment.</p> <p>Upper Seal Faces: Ceramic + Carbon Lower Seal Faces: SiC + SiC</p> <p>Oil Seal (Lip Seal) Used as a “Dust Seal”, it protects the mechanical seal from abrasive particles.</p> <p>OIL LIFTER (Patented) Equipped in oil chamber. It forcibly supplies lubricating oil to the mechanical seal and continues to supply the oil to the upper seal faces even if lubricant falls below the rated volume.</p> <p>Type of Lubricating Oil & Volume Turbine Oil (ISO VG32), 5200ml</p> <p>Motor Protection Device A circle thermal protector built in the motor housing. Directly cuts the motor circuit if excessive heat builds up or an overcurrent condition occurs in the motor.</p>
50Hz	60Hz								
380V – 16.3A	220V – 27.6A								
400V – 15.9A	380V – 15.6A								
415V – 15.7A	440V – 13.7A								

Optional Accessories

Bend Set (Free Standing Type)

- Discharge Bend
- JIS 10kg/cm² Screwed Flange

Stand Set (Free Standing Type)

- Stand

TOS Set (Guide Rail Fitting Type)

- Duckfoot Bend
- Guide Support
- Guide Hook
- Lifting Chain 5m (with Shackles)
- JIS 10kg/cm² Screwed Flange

External Leakage Sensor

NO. A-18731-1

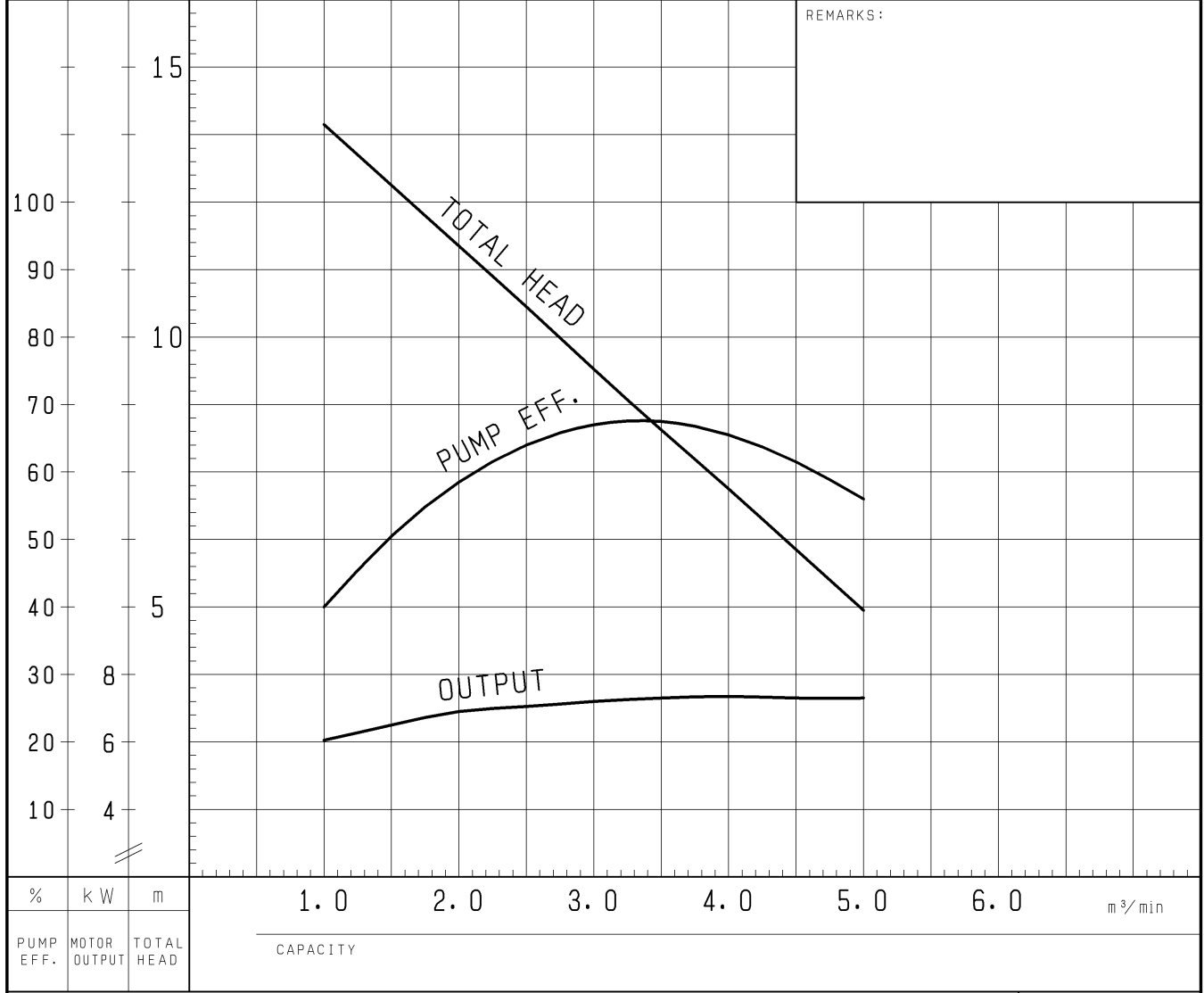
PUMP PERFORMANCE CURVES

TYPE Sewage Submersible Channel Impeller Pump	MODEL 150B47.5L -54 TOS150B47.5L -54	FREQUENCY 50 Hz
--	---	-----------------

CUSTOMER'S NAME _____

EQUIPMENT TITLE _____ NO. _____

	STANDARD SPECIFICATIONS	REQUIRED SPECIFICATIONS
DISCHARGE BORE	150 mm	mm
TOTAL HEAD	7.2 m	m
CAPACITY	4 m ³ /min	m ³ /min
MOTOR OUTPUT	7.5 kW	kW
PHASE x VOLTAGE	3 ϕ x V	ϕ x V
CURRENT	A	A
POLES / REVOLUTION	4 P / s. s. 1500 min ⁻¹	P / min ⁻¹
STARTING METHOD	DIRECT ON LINE	
INSULATION CLASS	F	

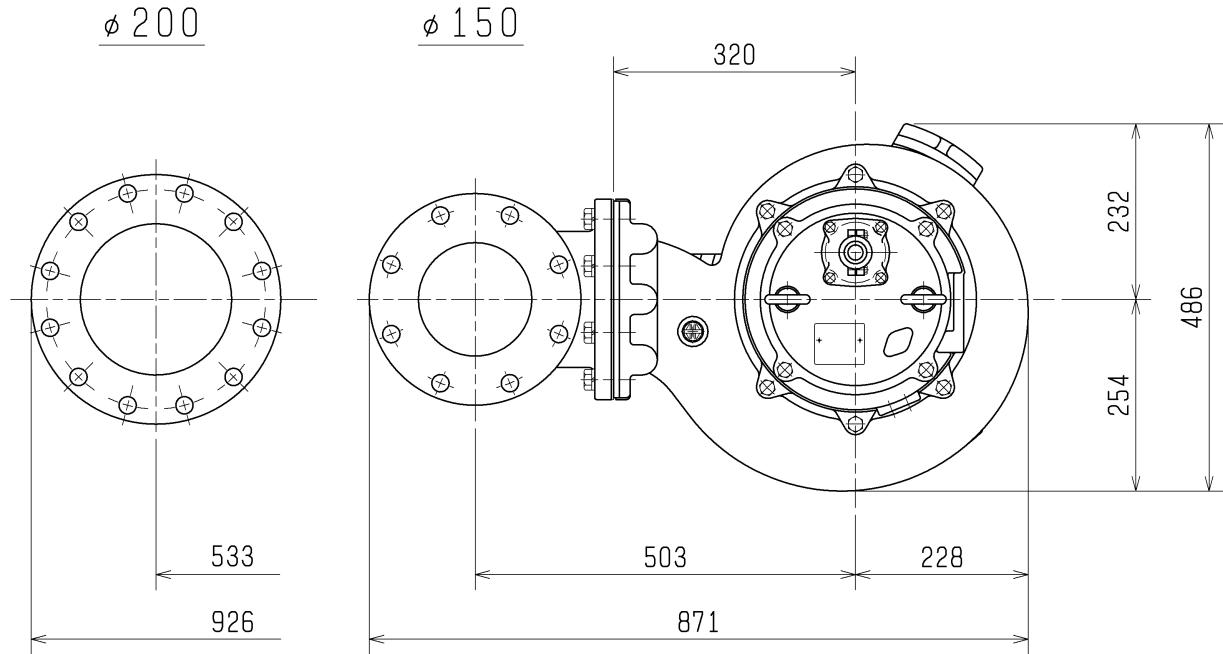


TSURUMI MFG. CO., LTD.

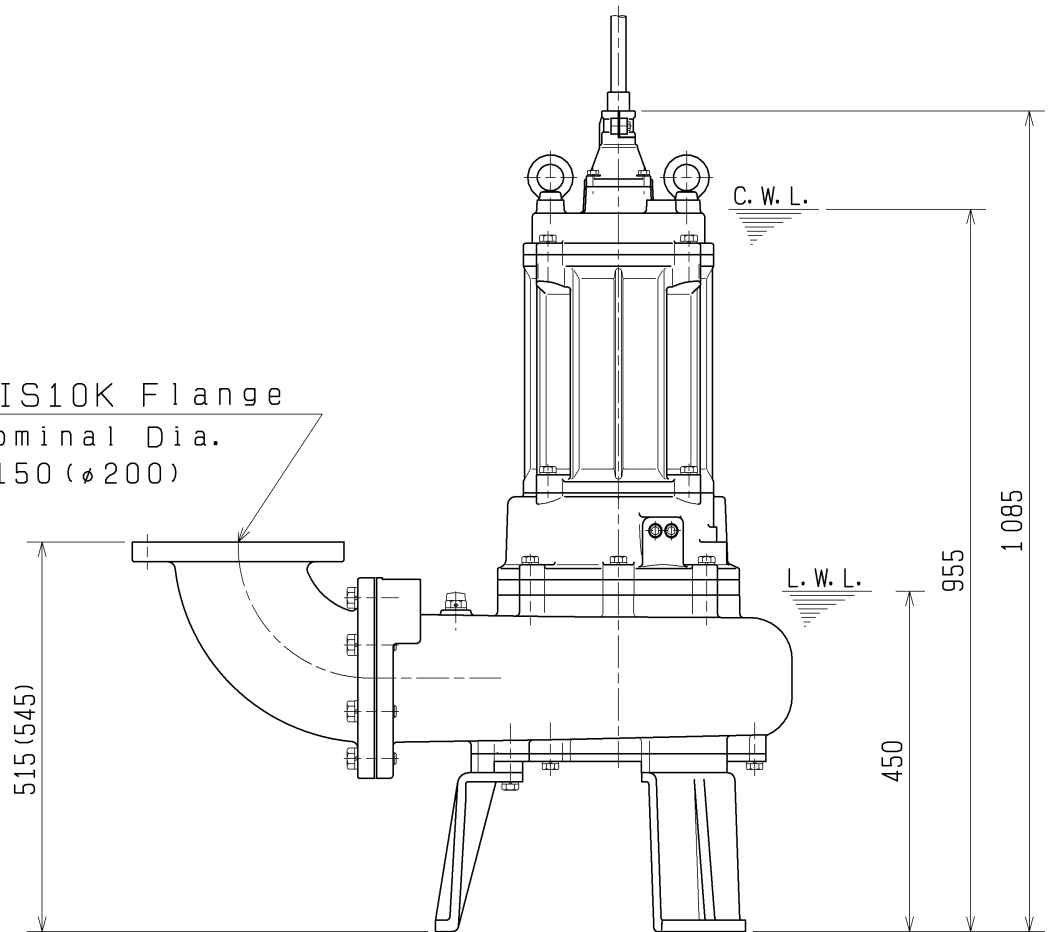
DIMENSION DRAWING		No.	No.
TYPE	Sewage Submersible Channel Impeller Pump	MODEL	150B47.5L -54/64 200B47.5 -54/64

MODEL	Approximate Weight (kg)
150B47.5L-54/64	200kg
200B47.5-54/64	207kg

*excluding cable



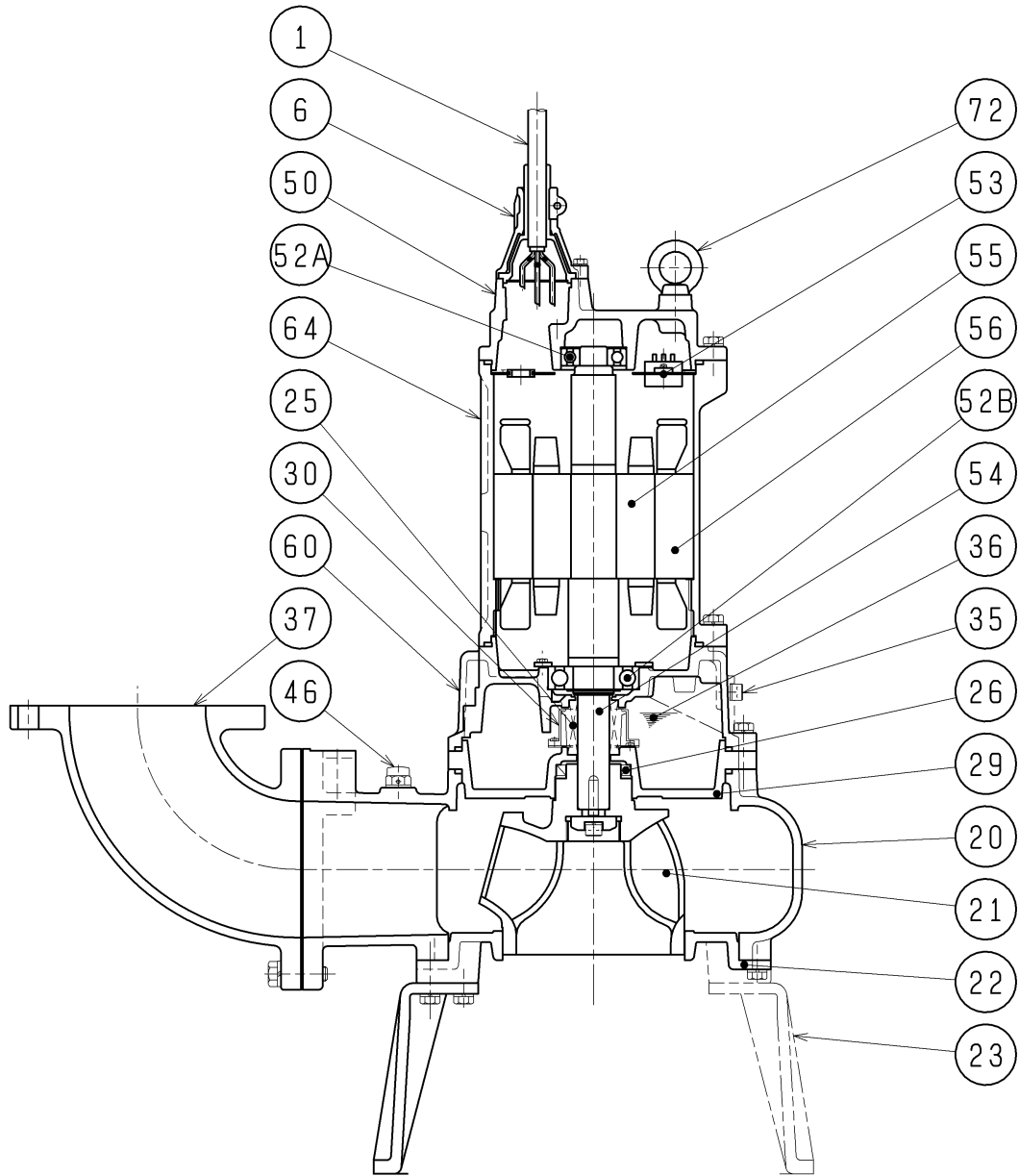
JIS10K Flange
Nominal Dia.
φ150 (φ200)



The Figure in () shows the dimensions of *200B47.5*.

C.W.L. :Continuous running Water Level
L.W.L. :Lowest running Water Level

SECTIONAL DRAWING		No.	No.
TYPE	Sewage Submersible Channel Impeller Pump	MODEL	150B47.5L -54/64 200B47.5 -54/64



REQ. SPECIFICATION

No.	DESCRIPTION	Q'TY	MATERIAL / NOTE	No.	DESCRIPTION	Q'TY	MATERIAL / NOTE
1	Cable	1	Chloroprene Sheath	46	Air Release Valve	1	Nylon
6	Stuffing Box	1	Gray Iron Casting	50	Motor Bracket	1	Gray Iron Casting
20	Pump Casing	1	Gray Iron Casting	52A	Upper Bearing	1	6306ZZC3
21	Impeller	1	Gray Iron Casting	52B	Lower Bearing	1	6309ZZC3
22	Suction Cover	1	Gray Iron Casting	53	Motor Protector	1	
23	Stand	3	Ductile Iron Casting	54	Shaft	1	Stainless Steel 420J2
25	Mechanical Seal	1	H-35A	55	Rotor	1	
26	Oil Seal	1	TC608212	56	Stator	1	
29	Oil Casing	1	Gray Iron Casting	60	Bearing Housing	1	Gray Iron Casting
30	Oil Lifter	1	Plastic	64	Motor Frame	1	Gray Iron Casting
35	Oil Plug	2	Stainless Steel 304	72	Eyebolt	2	Structure Steel
36	Lubricant		Turbine Oil (ISO VG32)				
37	Discharge Bend	1	Gray Iron Casting				