

SPECIFICATIONS	Model	B-series							
	50B2.4	0.4kW, 3-phase							
<p><b>Type of Pump</b> Submersible cast iron pump suitable for pumping sewage, wastewater, storm water, etc.</p> <p><b>Type of Fluid</b> Sewage, wastewater, and water carrying solid matters</p> <p>Temperature: 0 to 40°C (High temperature model available on special request)</p> <p><b>Discharge Bore</b> 50mm</p> <p><b>Motor Output</b> 0.4kW</p> <p><b>Power Supply</b> Three-phase</p> <p><b>Starting Method</b> Direct on Line</p> <p><b>Motor</b> Continuous-duty rated, dry-type induction motor</p> <p>Insulation Class: E (available in F on special request) Degree of Protection: IP68</p> <p>No. of Poles &amp; Speed (Synchronous Speed) 2-pole, 3000/3600min<sup>-1</sup> (50/60Hz)</p> <p>Power Supply Voltages &amp; Rated Currents</p> <table border="0"> <tr> <td>50Hz</td> <td>60Hz</td> </tr> <tr> <td>380V – 1.2A</td> <td>220V – 1.8A</td> </tr> <tr> <td>400V – 1.1A</td> <td>380V – 1.2A</td> </tr> <tr> <td>415V – 1.0A</td> <td>440V – 1.0A</td> </tr> </table> <p><b>Power Cable</b> Sheath: PVC Standard Length: 6m 200 to 600V supply: 1 × 4 × 1.25mm<sup>2</sup>, O.D. 11.1mm</p> <p><b>Dry Weight</b> (excluding cable) Free Standing Type: 23kg Guide Rail Fitting Type: 22kg</p>	50Hz	60Hz	380V – 1.2A	220V – 1.8A	400V – 1.1A	380V – 1.2A	415V – 1.0A	440V – 1.0A	<p><b>Impeller</b> Semi-open single-channel impeller for solid-handling design, dynamically balanced</p> <p>Solids Passage 50Hz – 35 × 22mm 60Hz – 35 × 18mm</p> <p><b>Cable Entry with Anti-Wicking Block</b> Watertight cable entry with strain-relief device. The anti-wicking block prevents water incursion due to capillary action should the power cable be damaged or the end submerged.</p> <p><b>Bearings</b> Permanently lubricated, deep-groove, double-shielded C3 ball bearings</p> <p><b>Shaft</b> 420 stainless steel</p> <p><b>Shaft Seal (Mechanical Seal)</b> Furnished with a double-face mechanical seal located in oil chamber. Both upper and lower seal faces always run in a clean environment.</p> <p>Upper Seal Faces: Ceramic + Carbon Lower Seal Faces: SiC + SiC</p> <p><b>Oil Seal (Lip Seal)</b> Used as a “Dust Seal”, it protects the mechanical seal from abrasive particles.</p> <p><b>OIL LIFTER (Patented)</b> Equipped in oil chamber. It forcibly supplies lubricating oil to the mechanical seal and continues to supply the oil to the upper seal faces even if lubricant falls below the rated volume.</p> <p>Type of Lubricating Oil &amp; Volume Turbine Oil (ISO VG32), 180ml</p> <p><b>Motor Protection Device</b> A circle thermal protector built in the motor housing. Directly cuts the motor circuit if excessive heat builds up or an overcurrent condition occurs in the motor.</p>
50Hz	60Hz								
380V – 1.2A	220V – 1.8A								
400V – 1.1A	380V – 1.2A								
415V – 1.0A	440V – 1.0A								
<p><b>Optional Accessories</b></p> <p><b>Bend Set</b> (Free Standing Type)</p> <ul style="list-style-type: none"> <li>• Discharge Bend</li> <li>• Screwed Flange</li> </ul> <p><b>TOS/TS Set</b> (Guide Rail Fitting Type)</p> <ul style="list-style-type: none"> <li>• Duckfoot Bend</li> <li>• Guide Support</li> <li>• Guide Hook</li> <li>• Lifting Chain 5m (with Shackles)</li> <li>• JIS 10kg/cm<sup>2</sup> Screwed Flange (TOS Set only)</li> </ul>									
<b>TSURUMI MANUFACTURING CO., LTD.</b>									

NO. A-19576-1

# PUMP PERFORMANCE CURVES

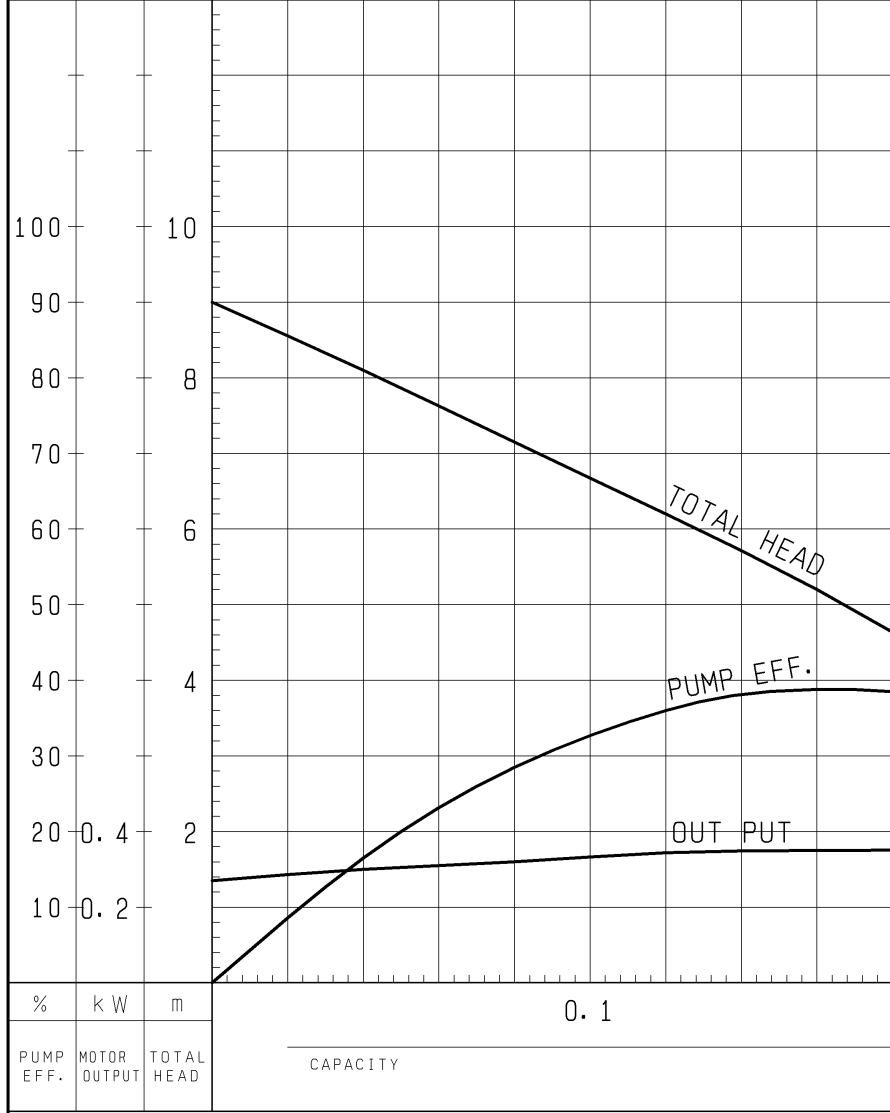
TYPE Sewage Submersible Channel Impeller Pump	MODEL 50B2.4 -52 TOS50B2.4 -52	FREQUENCY 50 Hz
--	-----------------------------------	-----------------

CUSTOMER'S NAME \_\_\_\_\_

EQUIPMENT TITLE \_\_\_\_\_ NO. \_\_\_\_\_

	STANDARD SPECIFICATIONS	REQUIRED SPECIFICATIONS
DISCHARGE BORE	50 mm	mm
TOTAL HEAD	4 m	m
CAPACITY	0.2 m <sup>3</sup> /min	m <sup>3</sup> /min
MOTOR OUTPUT	0.4 kW	kW
PHASE x VOLTAGE	3 $\phi$ x	$\phi$ x V
CURRENT	A	A
POLES / REVOLUTION	2 P / S. S. 3000 min <sup>-1</sup>	P / min <sup>-1</sup>
STARTING METHOD	DIRECT ON LINE	
INSULATION CLASS	E	

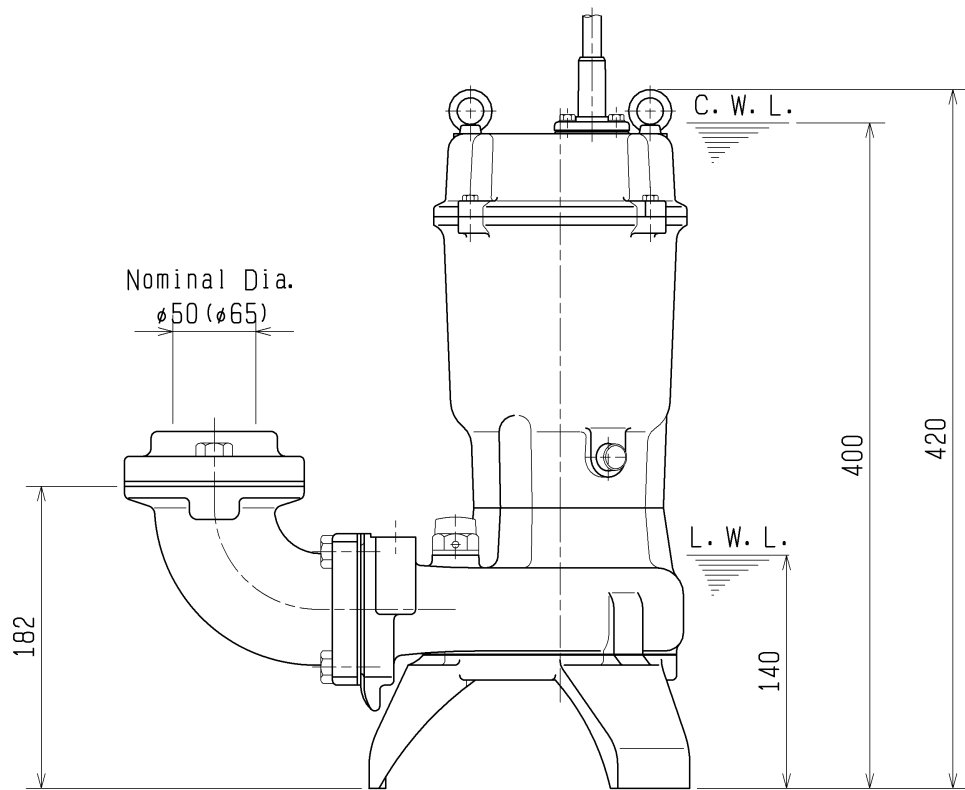
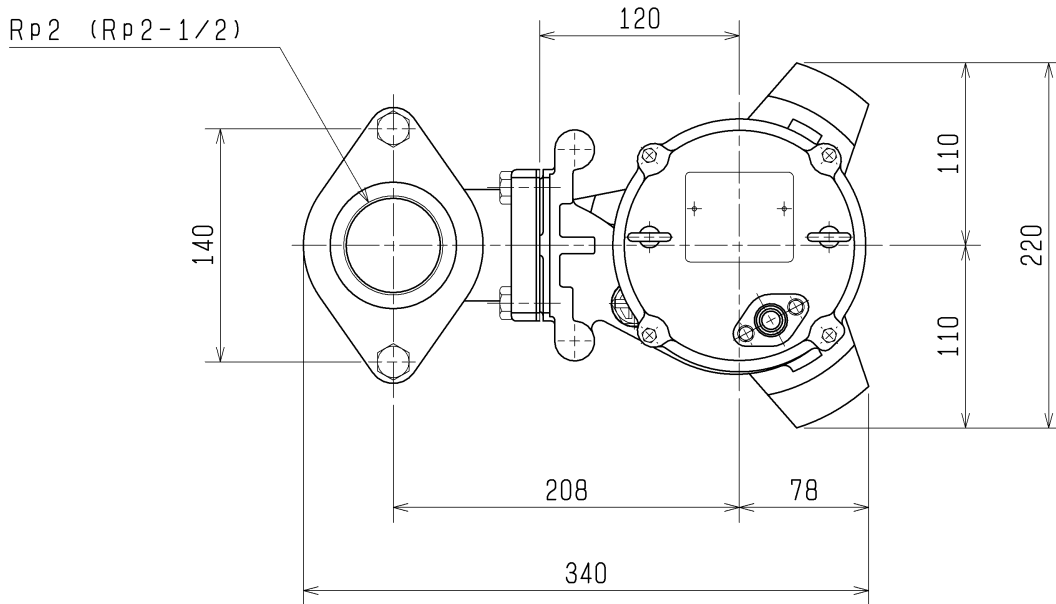
REMARKS:



TSURUMI MFG. CO., LTD.

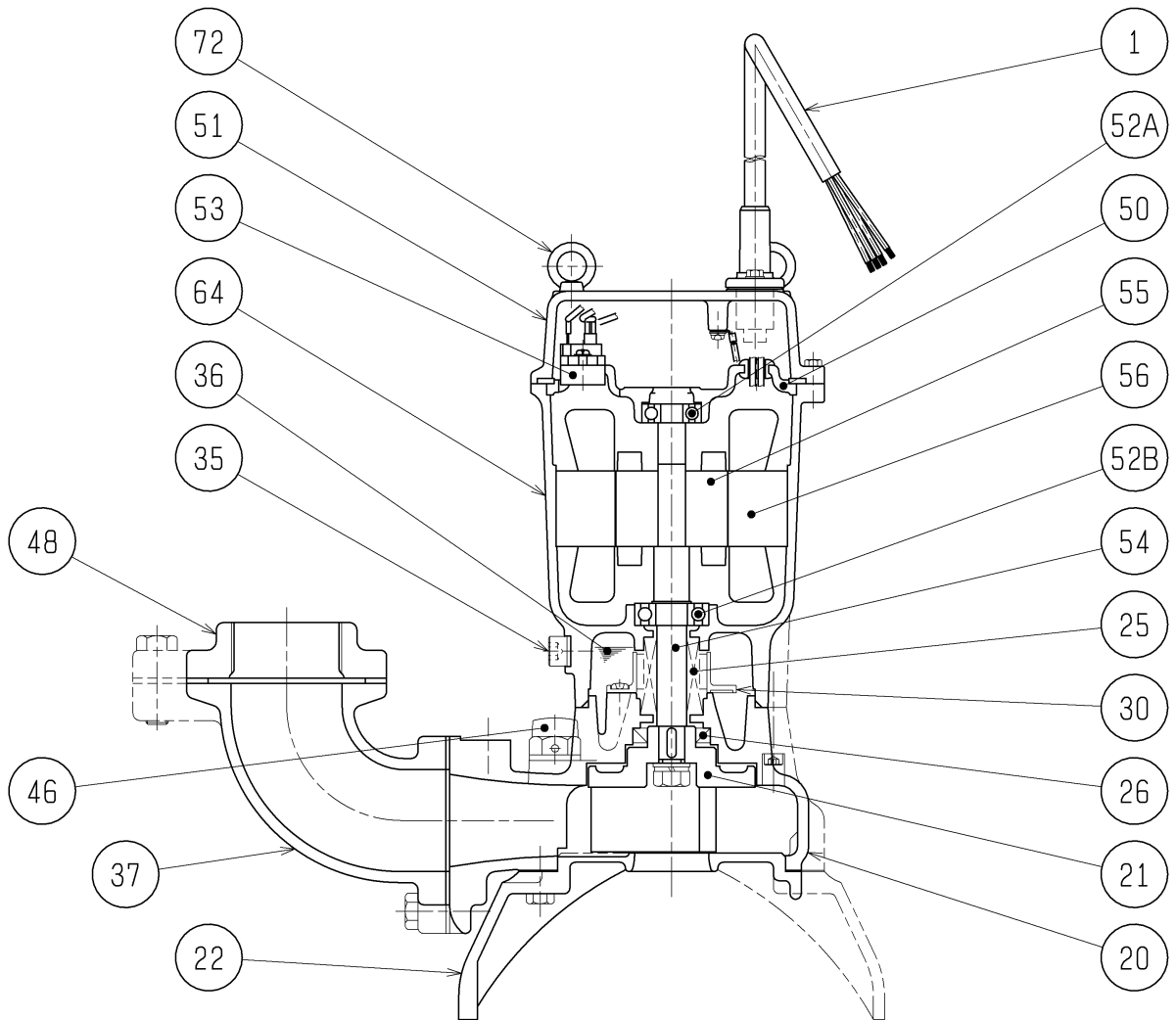
DIMENSION DRAWING		No.	No. A-19578-2
TYPE	Sewage Submersible Channel Impeller Pump	MODEL	50B2.4 -52/62

Approximate Weight(※)  
23kg  
※excluding cable



C.W.L. :Continuous running Water Level  
 L.W.L. :Lowest running Water Level

<b>SECTIONAL DRAWING</b>		No.	No. A-19579-2
TYPE	Sewage Submersible Channel Impeller Pump	MODEL	50B2.4 -52/62



REQ. SPECIFICATION

No.	DESCRIPTION	Q'TY	MATERIAL / NOTE	No.	DESCRIPTION	Q'TY	MATERIAL / NOTE
1	Cable	1	PVC Sheath	50	Motor Bracket	1	Gray Iron Casting
20	Pump Casing	1	Gray Iron Casting	51	Head Cover	1	Gray Iron Casting
21	Impeller	1	Gray Iron Casting	52A	Upper Bearing	1	6201ZZC3
22	Suction Cover Stand	1	Ductile Iron Casting	52B	Lower Bearing	1	6203ZZC3
25	Mechanical Seal	1	H-16	53	Motor Protector	1	
26	Oil Seal	1	TC26428	54	Shaft	1	Stainless Steel 420J2
30	Oil Lifter	1	Plastic	55	Rotor	1	
35	Oil Plug	1	Stainless Steel 304	56	Stator	1	
36	Lubricant		Turbine Oil (ISO VG32)	64	Motor Frame	1	Gray Iron Casting
37	Discharge Bend	1	Gray Iron Casting	72	Eye Bolt	2	Stainless Steel 304
46	Air Release Valve	1	Nylon				
48	Screwed Flange	1	Gray Iron Casting				