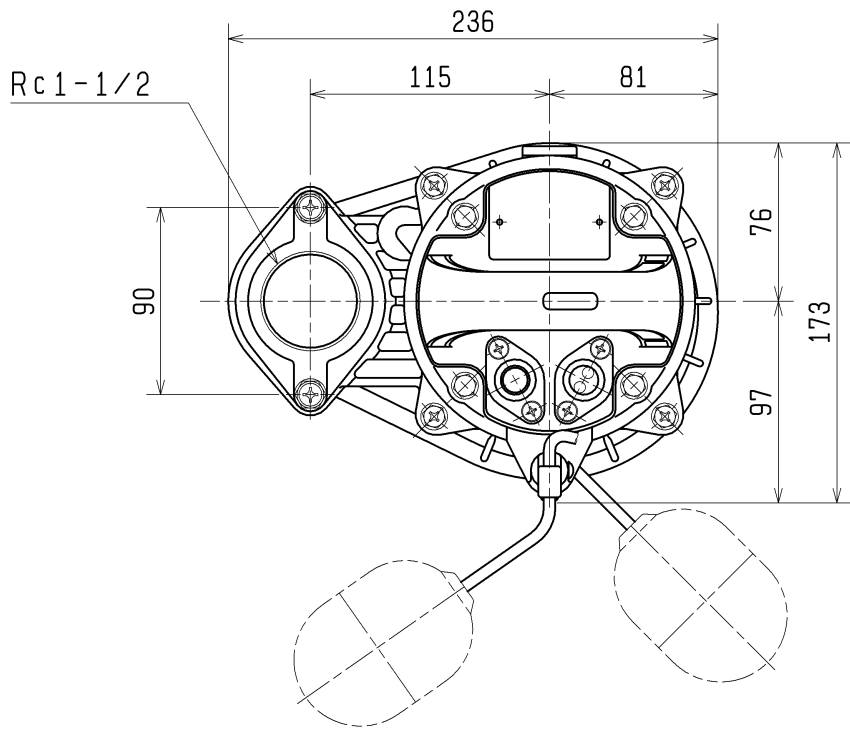
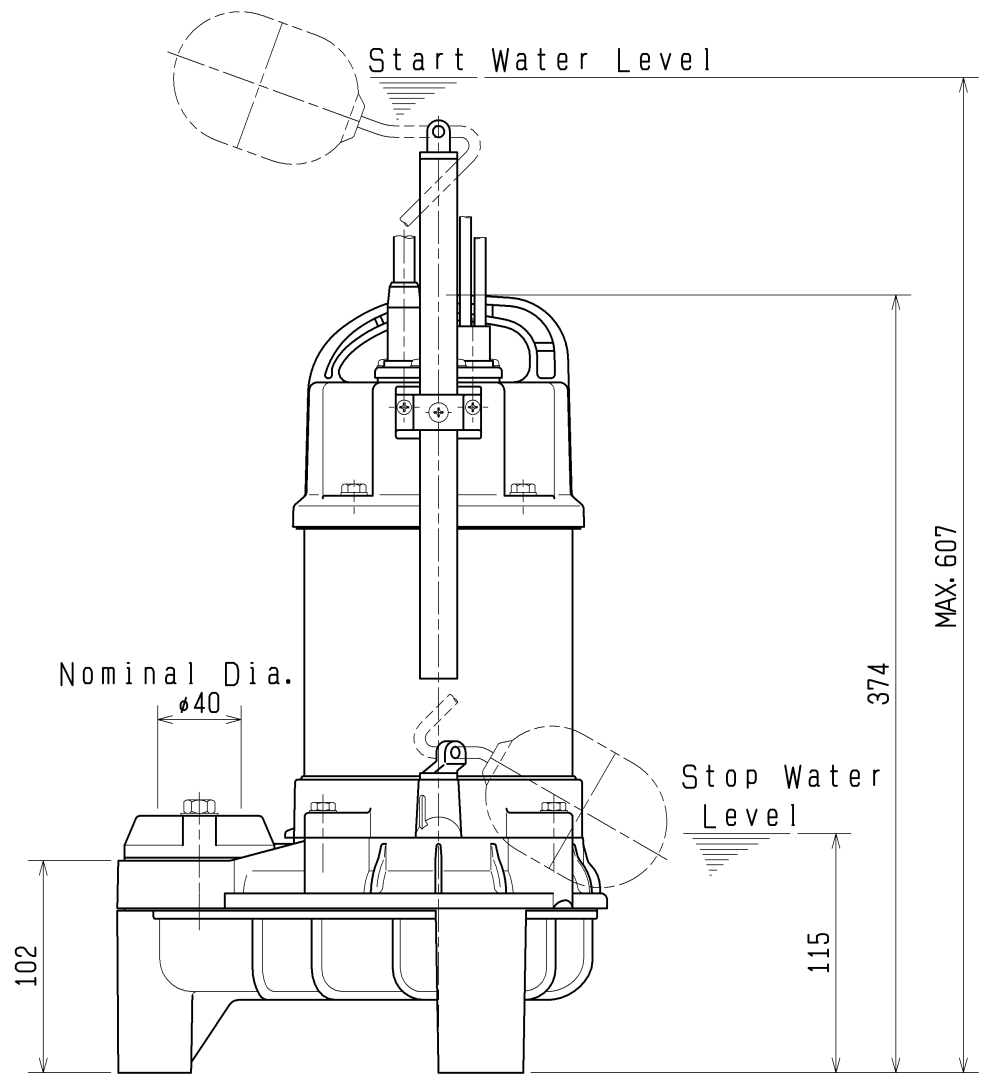


SPECIFICATIONS	Model	PU-series							
	40PU2.25S	0.25kW, 1-phase							
<p>Type of Pump Submersible vortex pump made of 304 stainless steel and resin suitable for pumping sewage, wastewater, storm water, etc.</p> <p>Type of Fluid Sewage, wastewater, and water carrying solid matters</p> <p>Temperature: 0 to 40°C</p> <p>Discharge Bore 40mm</p> <p>Motor Output 0.25kW</p> <p>Power Supply Single-phase</p> <p>Starting Method Capacitor Run</p> <p>Motor Continuous-duty rated, dry-type induction motor</p> <p>Insulation Class: E Degree of Protection: IP68</p> <p>No. of Poles & Speed (Synchronous Speed) 2-pole, 3000/3600min⁻¹ (50/60Hz)</p> <p>Power Supply Voltages & Rated Currents</p> <table border="0"> <tr> <td>50Hz</td> <td>60Hz</td> </tr> <tr> <td>220V – 2.5A</td> <td>110V – 4.4A</td> </tr> <tr> <td>230V – 2.5A</td> <td>220V – 2.4A</td> </tr> <tr> <td>240V – 2.5A</td> <td></td> </tr> </table> <p>Power Cable Sheath: PVC Standard Length: 5m 100 to 240V supply: 1 × 3 × 1.25mm², O.D. 10.1mm</p> <p>Dry Weight (excluding cable) Standard Model: 7.1kg Auto & Auto-Alternation Model: 7.8kg</p>	50Hz	60Hz	220V – 2.5A	110V – 4.4A	230V – 2.5A	220V – 2.4A	240V – 2.5A		<p>Impeller Vortex impeller made of glass-fiber reinforced PPO</p> <p>Solids Passage 50Hz – ϕ35mm 60Hz – ϕ35mm</p> <p>Cable Entry with Anti-Wicking Block Watertight cable entry with strain-relief device. The anti-wicking block prevents water incursion due to capillary action should the power cable be damaged or the end submerged.</p> <p>Bearings Permanently lubricated, deep-groove, double-shielded C3 ball bearings</p> <p>Shaft 304 stainless steel</p> <p>Shaft Seal (Mechanical Seal) Furnished with a double-face mechanical seal located in oil chamber. Both upper and lower seal faces always run in a clean environment.</p> <p>Upper Seal Faces: Ceramic + Carbon Lower Seal Faces: SiC + Ceramic</p> <p>OIL LIFTER (Patented) Equipped in oil chamber. It forcibly supplies lubricating oil to the mechanical seal and continues to supply the oil to the upper seal faces even if lubricant falls below the rated volume.</p> <p>Type of Lubricating Oil & Volume Liquid Paraffin (ISO VG32), 240ml</p> <p>Motor Protection Device A miniature thermal protector is embedded in each winding of the motor. Should excessive heat builds up, the bimetal strip opens to cause the control panel to shut the power supply.</p>
50Hz	60Hz								
220V – 2.5A	110V – 4.4A								
230V – 2.5A	220V – 2.4A								
240V – 2.5A									
<p>Optional Accessories</p> <p>TOK Set (Guide Rail Fitting Type)</p> <ul style="list-style-type: none"> • Duckfoot Bend • Guide Support • Guide Hook • Lifting Chain 4m (with Shackles) 									
TSURUMI MANUFACTURING CO., LTD.									

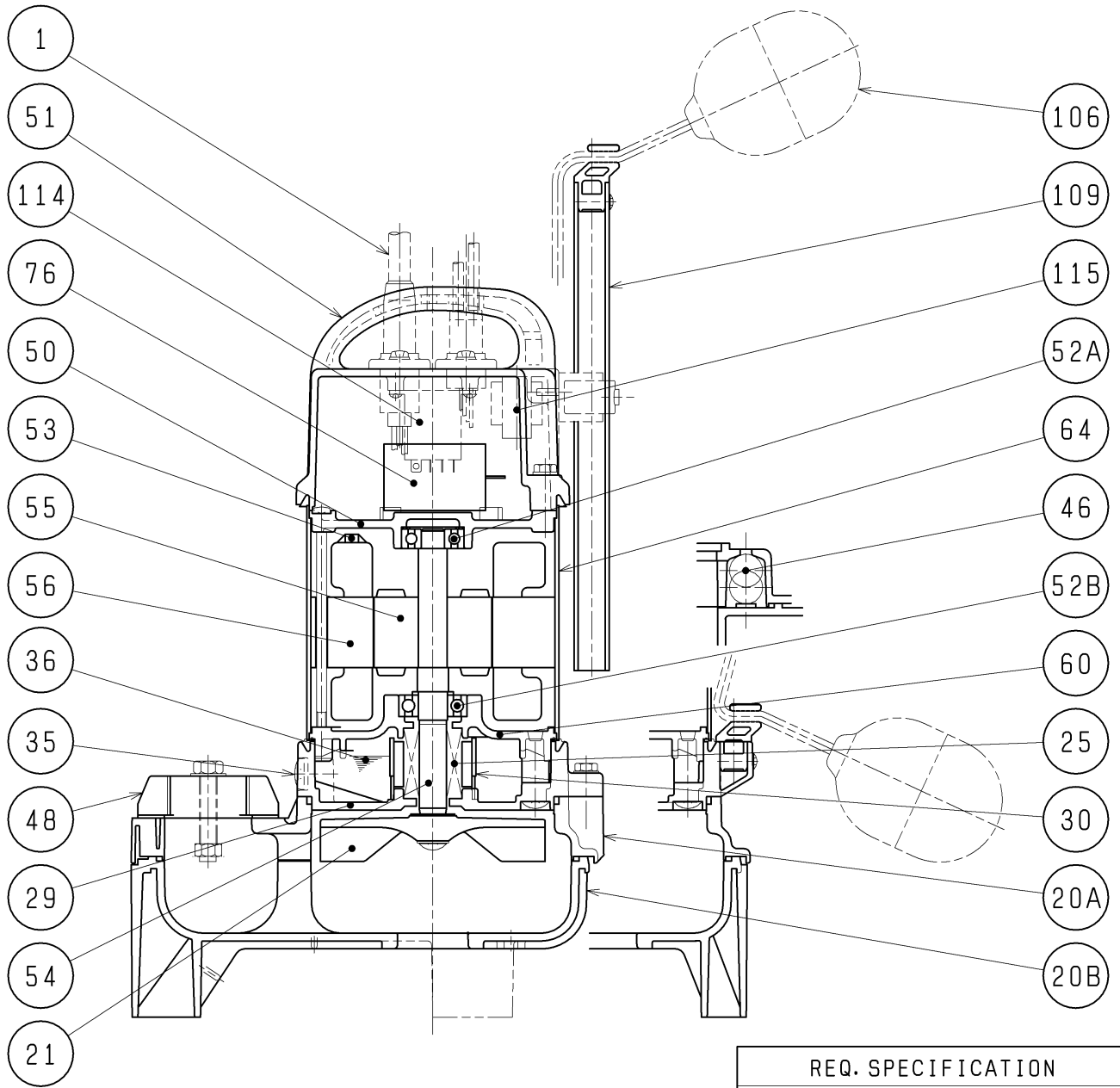
DIMENSION DRAWING		No.	No. A-09974-2
TYPE Sewage Submersible Vortex Pump (Automatic)	MODEL	40PUA2.25S -52/62	



Approximate Weight (※)
7.7kg
※excluding cable



SECTIONAL DRAWING		No.	No. A-10020-4
TYPE	Submersible Vortex Sewage Pump (Automatic)	MODEL	40PUA2.25S -52/62 50PUA2.4S -52/62



REQ. SPECIFICATION

* Upper and lower blocks form a one-piece casing.

No.	DESCRIPTION	Q'TY	MATERIAL / NOTE	No.	DESCRIPTION	Q'TY	MATERIAL / NOTE
1	Cable	1	PVC Sheath	52B	Lower Bearing	1	6202ZZC3
20A	Upper Pump Casing	* 1	Plastic W/GF	53	Motor Protector	1	
20B	Lower Pump Casing		Plastic	54	Shaft	1	Stainless Steel 304
21	Impeller	1	Plastic W/GF	55	Rotor	1	
25	Mechanical Seal	1	W-14HC	56	Stator	1	
29	Oil Casing	1	Plastic W/GF	60	Bearing Housing	1	Aluminium Die Casting
30	Oil Lifter	1	Plastic	64	Motor Frame	1	Stainless Steel 304
35	Oil Plug	1	Stainless Steel 304	76	Capacitor	1	
36	Lubricant		Liquid Paraffin (ISO VG32)	106	Float Set	2	Plastic
46	Air Release Valve	1	Glass Ball	109	Float Support Pipe	1	Plastic
48	Screwed Flange	1	Plastic W/GF	114	Power Relay	1	
50	Motor Bracket	1	Aluminium Die Casting	115	Transformer	1	
51	Head Cover	1	Plastic W/GF				
52A	Upper Bearing	1	6201ZZC3				