

SPECIFICATIONS	Model	PU-series							
	50PU2.4S	0.4kW, 1-phase							
<p>Type of Pump Submersible vortex pump made of 304 stainless steel and resin suitable for pumping sewage, wastewater, storm water, etc.</p> <p>Type of Fluid Sewage, wastewater, and water carrying solid matters</p> <p>Temperature: 0 to 40°C</p> <p>Discharge Bore 50mm</p> <p>Motor Output 0.4kW</p> <p>Power Supply Single-phase</p> <p>Starting Method Capacitor Run</p> <p>Motor Continuous-duty rated, dry-type induction motor</p> <p>Insulation Class: E Degree of Protection: IP68</p> <p>No. of Poles & Speed (Synchronous Speed) 2-pole, 3000/3600min⁻¹ (50/60Hz)</p> <p>Power Supply Voltages & Rated Currents</p> <table border="0"> <tr> <td>50Hz</td> <td>60Hz</td> </tr> <tr> <td>220V – 3.2A</td> <td>110V – 5.7A</td> </tr> <tr> <td>230V – 3.1A</td> <td>220V – 2.9A</td> </tr> <tr> <td>240V – 3.0A</td> <td></td> </tr> </table> <p>Power Cable Sheath: PVC Standard Length: 5m 100 to 240V supply: 1 × 3 × 1.25mm², O.D. 10.1mm</p> <p>Dry Weight (excluding cable) Standard Model: 7.1kg Auto & Auto-Alternation Model: 7.8kg</p>	50Hz	60Hz	220V – 3.2A	110V – 5.7A	230V – 3.1A	220V – 2.9A	240V – 3.0A		<p>Impeller Vortex impeller made of glass-fiber reinforced PPO</p> <p>Solids Passage 50Hz – ϕ35mm 60Hz – ϕ35mm</p> <p>Cable Entry with Anti-Wicking Block Watertight cable entry with strain-relief device. The anti-wicking block prevents water incursion due to capillary action should the power cable be damaged or the end submerged.</p> <p>Bearings Permanently lubricated, deep-groove, double-shielded C3 ball bearings</p> <p>Shaft 304 stainless steel</p> <p>Shaft Seal (Mechanical Seal) Furnished with a double-face mechanical seal located in oil chamber. Both upper and lower seal faces always run in a clean environment.</p> <p>Upper Seal Faces: Ceramic + Carbon Lower Seal Faces: SiC + Ceramic</p> <p>OIL LIFTER (Patented) Equipped in oil chamber. It forcibly supplies lubricating oil to the mechanical seal and continues to supply the oil to the upper seal faces even if lubricant falls below the rated volume.</p> <p>Type of Lubricating Oil & Volume Liquid Paraffin (ISO VG32), 240ml</p> <p>Motor Protection Device A miniature thermal protector is embedded in each winding of the motor. Should excessive heat builds up, the bimetal strip opens to cause the control panel to shut the power supply.</p>
50Hz	60Hz								
220V – 3.2A	110V – 5.7A								
230V – 3.1A	220V – 2.9A								
240V – 3.0A									
<p>Optional Accessories</p> <p>TOK Set (Guide Rail Fitting Type)</p> <ul style="list-style-type: none"> • Duckfoot Bend • Guide Support • Guide Hook • Lifting Chain 4m (with Shackles) 									
TSURUMI MANUFACTURING CO., LTD.									

NO. A-09947-2

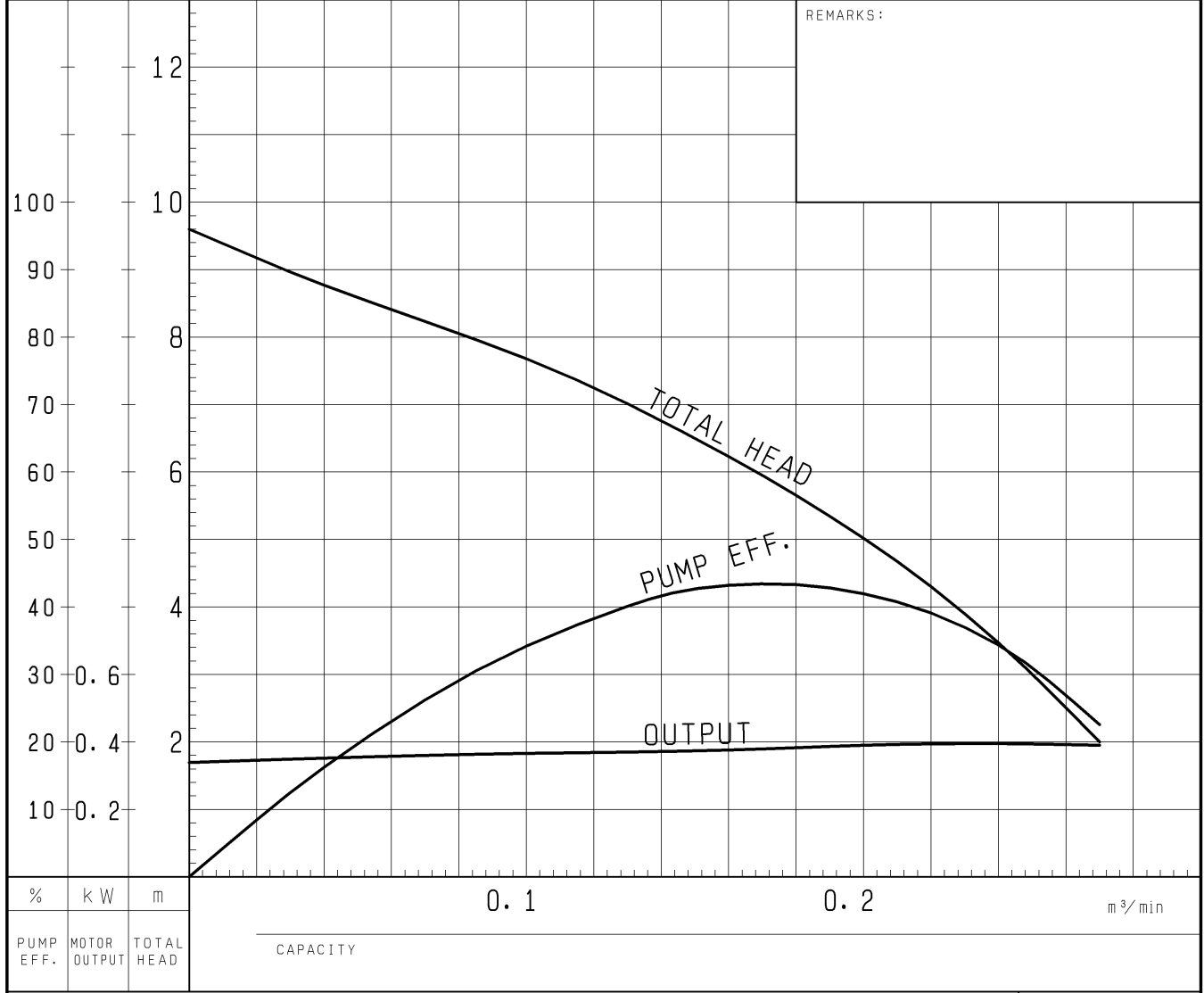
PUMP PERFORMANCE CURVES

TYPE Sewage Submersible Vortex Pump	MODEL 50PU2.4S -52, 50PUA2.4S -52 50PUW2.4S -52	FREQUENCY 50 Hz
--	--	--------------------

CUSTOMER'S NAME _____

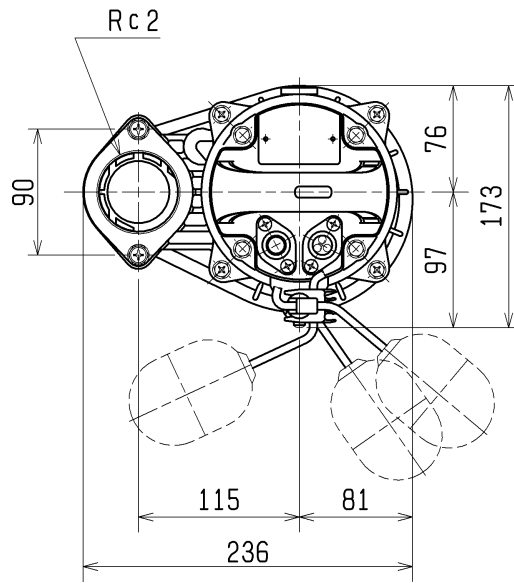
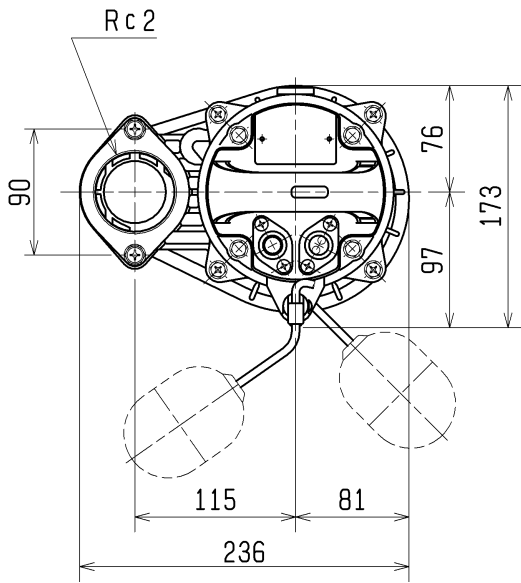
EQUIPMENT TITLE _____ NO. _____

STANDARD SPECIFICATIONS	REQUIRED SPECIFICATIONS
DISCHARGE BORE 50 mm	mm
TOTAL HEAD 6.5 m	m
CAPACITY 0.15 m ³ /min	m ³ /min
MOTOR OUTPUT 0.4 kW	kW
PHASE x VOLTAGE 1 φ x V	φ x V
CURRENT A	A
POLES / REVOLUTION 2 P / s. s. 3000 min ⁻¹	P / min ⁻¹
STARTING METHOD CAPACITOR MOTOR	
INSULATION CLASS E	

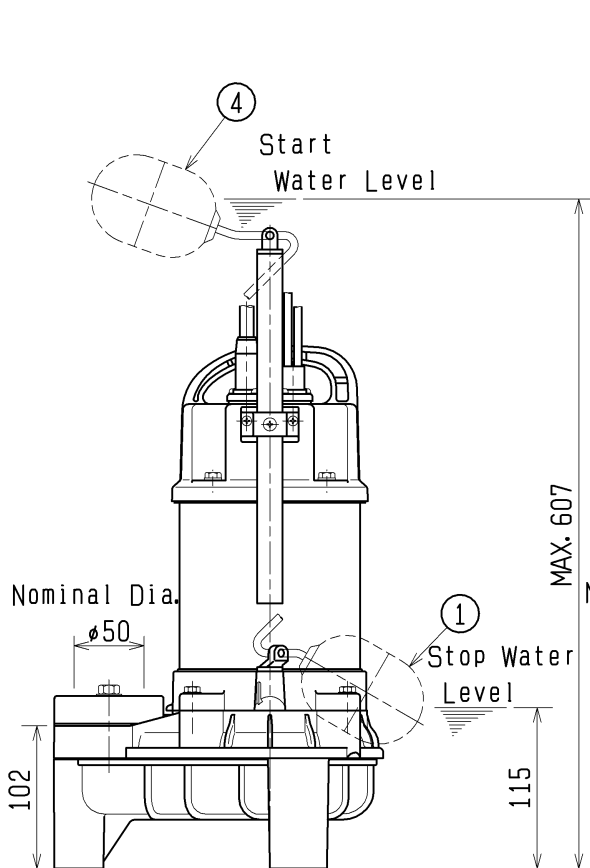


TSURUMI MFG. CO., LTD.

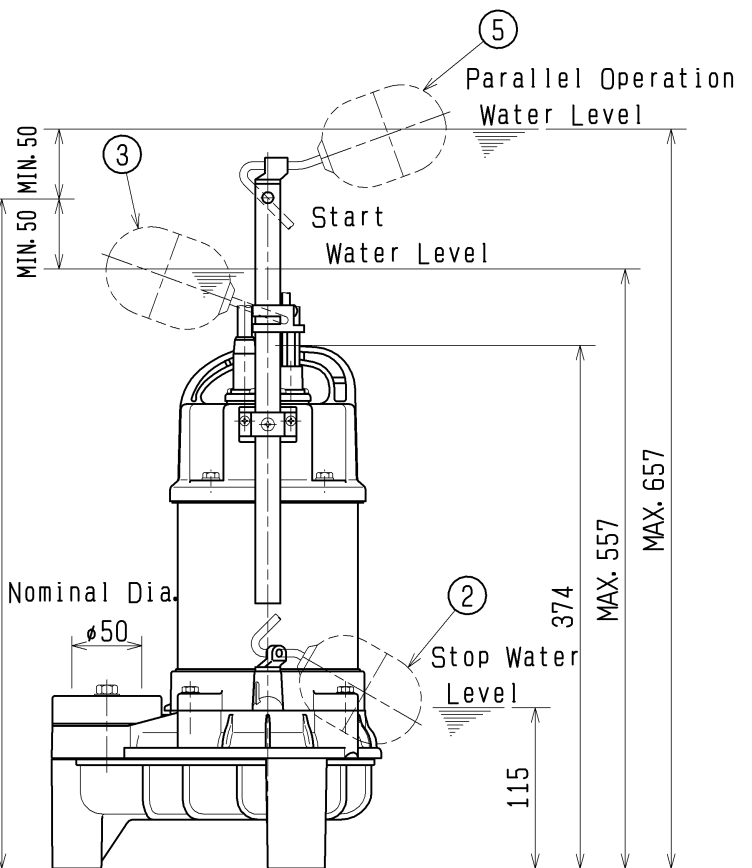
DIMENSION DRAWING		No.	No. A-09982-2
TYPE	Sewage Submersible Vortex Pump (Auto-Alternation)	MODEL	50PUW2.4S -52/62



Approximate
Weight (※)
7.8kg
※excluding cable



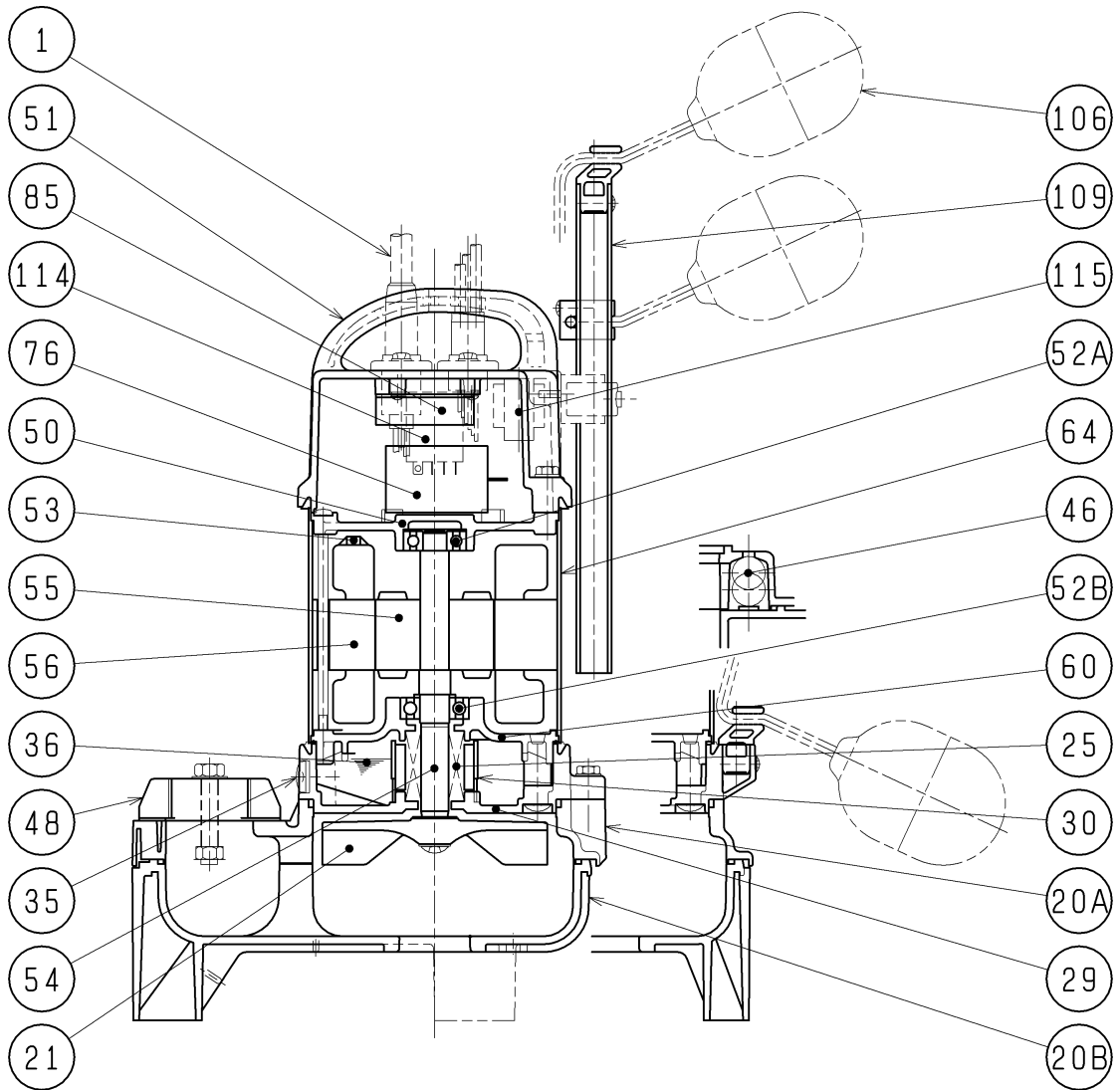
No. 1 PUMP



No. 2 PUMP

No.	Item	Color	No.	Item	Color
①	No. 1 Pump Stop Float	Red	④	No. 1 Pump Start Float	Yellow
②	No. 2 Pump Stop Float	Red	⑤	No. 1 Pump No. 2 Pump Parallel Operation Float	Green
③	No. 2 Pump Alternate Start Float	Yellow			

SECTIONAL DRAWING		No.	No. A-10021-3
TYPE Sewage Submersible Vortex Pump (Auto-Alternation)	MODEL	40PUW2.25S -52/62	50PUW2.4S -52/62



REQ. SPECIFICATION

※ Upper and lower blocks form a one-piece casing.

No.	DESCRIPTION	QTY	MATERIAL / NOTE	No.	DESCRIPTION	QTY	MATERIAL / NOTE
1	Cable	1	PVC Sheath	53	Motor Protector	1	
20A	Upper Pump Casing	※ 1	Plastic W/GF	54	Shaft	1	Stainless Steel 304
20B	Lower Pump Casing		Plastic	55	Rotor	1	
21	Impeller	1	Plastic W/GF	56	Stator	1	
25	Mechanical Seal	1	W-14HC	60	Bearing Housing	1	Aluminium Die Casting
29	Oil Casing	1	Plastic W/GF	64	Motor Frame	1	Stainless Steel 304
30	Oil Lifter	1	Plastic	76	Capacitor	1	
35	Oil Plug	1	Stainless Steel 304	85	Relay Unit	1	
36	Lubricant		Liquid Paraffin (ISO VG32)	106	Float Set	3	Plastic
46	Air Release Valve	1	Glass Ball	109	Float Support Pipe	1	Plastic
48	Screwed Flange	1	Plastic W/GF	114	Power Relay	1	
50	Motor Bracket	1	Aluminium Die Casting	115	Transformer	1	
51	Head Cover	1	Plastic W/GF				
52A	Upper Bearing	1	6201ZZC3				
52B	Lower Bearing	1	6202ZZC3				