

SERIES
KTZ
KTD

SUBMERSIBLE
DEWATERING PUMPS



We Are Original



Submersible Heavy-duty Dewatering Pumps

The KTZ-series is Tsurumi's flagship line of submersible pumps. Made with a cast iron body and high chromium cast iron impeller, the pumps can withstand the most demanding conditions found in construction, aggregate and mining applications. Versatility is increased as each model has the capability of being easily converted between high head and high volume performance with a simple change of impeller, suction cover and hose coupling.

Dual silicon carbide mechanical seals are isolated in the oil chamber to protect the seal faces against abrasion and corrosion. In addition, the seals are enclosed in Tsurumi's original Oil Lifter to ensure reliable lubrication and cooling. This design exceeds the standard configuration of competitors and offers a longer mechanical seal life for a more reliable pump.

Pumps with a 7.5 to 22kW motor incorporate seal pressure relief ports, therefore mechanical seals are exposed only to the pressure developed by the sump submergence level. This virtually eliminates the premature wear and failure of mechanical seals in higher pressure applications.

The KTZE-series is an automatic pump without cumbersome floats. An innovative electrode type relay unit built into the pump automatically starts and stops the pump to eliminate dry-running. This mechanism greatly reduces power consumption and extends operating life.

The KTD-series is a submersible heavy-duty slurry pump utilizing the KTZ-series as the base. It is designed to have more motor shaft power allowance than the KTZ to handle muddy water with higher specific gravities. An agitator suspends solids to assist in pumping sediments in combination with a dedicated strainer. This pump is suitable for transferring or draining bentonite slurry.

Available as optional specifications are an original "seawater-resistant pump" developed over many years by Tsurumi to enable seawater intake/drainage for long periods of time, and an "all stainless steel pump" using 316 stainless steel for mining markets.

Registration of Design

*Tsurumi has registered the design of the KTZ-series in major countries.
Design rights are granted under the laws of each country.*

KTZ/KTD

Submersible Heavy-duty Dewatering Pumps

Major Applications

Extreme circumstances reveal true value.

With over 95 years of history, the Tsurumi Pump Brand continues to receive worldwide support with its superior quality, exceptional durability and solid reliability.

CONSTRUCTION



MINING



KTZ: Tsurumi's flagship line of heavy-duty drainage pumps

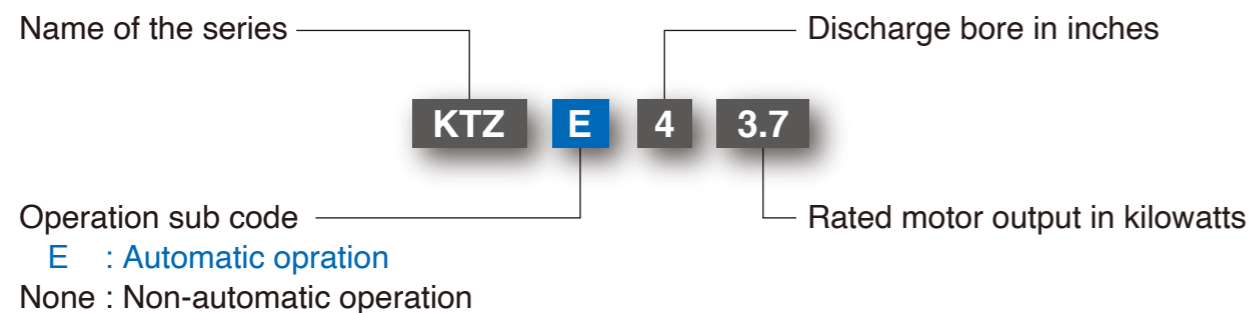
KTZE: Automatic drainage pumps with an innovative electrode type relay unit

KTD: Slurry pumps that deliver powerful agitation for discharging slurries laden with silt, earth, sand or other particulate

Selection Table

| Motor Output | | 1.5 kW | 2.2 kW | 3.7 kW | 5.5 kW | 7.5 kW | 11 kW | 15 kW | 22 kW |
|----------------------------|----------|--------|--------|--------|--------|--------|-------|-------|-------|
| KTZ | 2" 50mm | | | | | | | | |
| | 3" 80mm | | | | | | | | |
| | 4" 100mm | | | | | | | | |
| | 6" 150mm | | | | | | | | |
| KTZE -Automatic- | 2" 50mm | | | | | | | | |
| | 3" 80mm | | | | | | | | |
| | 4" 100mm | | | | | | | | |
| KTD -Slurry- | 2" 50mm | | | | | | | | |
| | 3" 80mm | | | | | | | | |

Model Number Designation



Options

- Seawater-resistant version; Galvanic anode & special impeller
- High temperature liquids version; Max. 80°C
- High voltage version; Max. 1000V
- All stainless steel version; 316 S.S.

Seawater-Resistant Version

Tsurumi's pumps can be combined with a seawater-resistant kit (optional) that adds a "galvanic anode" and "seawater-resistant special cast iron impeller," and enables about two years of service. (The service period depends on operating conditions.) For details, refer to the Seawater-Resistant Pumps catalog [IB115].



High Temperature Liquids Version

Tsurumi's pumps are applicable to high temperature liquids of up to 80°C. Pumps of the standard specification can discharge liquids of up to 40°C. However, there are many fields that need to discharge higher temperature liquids, e.g., discharging industrial water from a power plant or ironworks, or discharging hot spring water from a mine in a volcanic zone. For details, refer to the Submersible Pumps for High Temperature Liquids catalog [IB117].

High Voltage Version

Tsurumi's pumps can be manufactured to between 380 - 1000V ratings that are often required for mining applications. The pumps meet mining safety standards as they come with screened cables and motors with built-in diodes for ground-fault checks.

All Stainless Steel Version

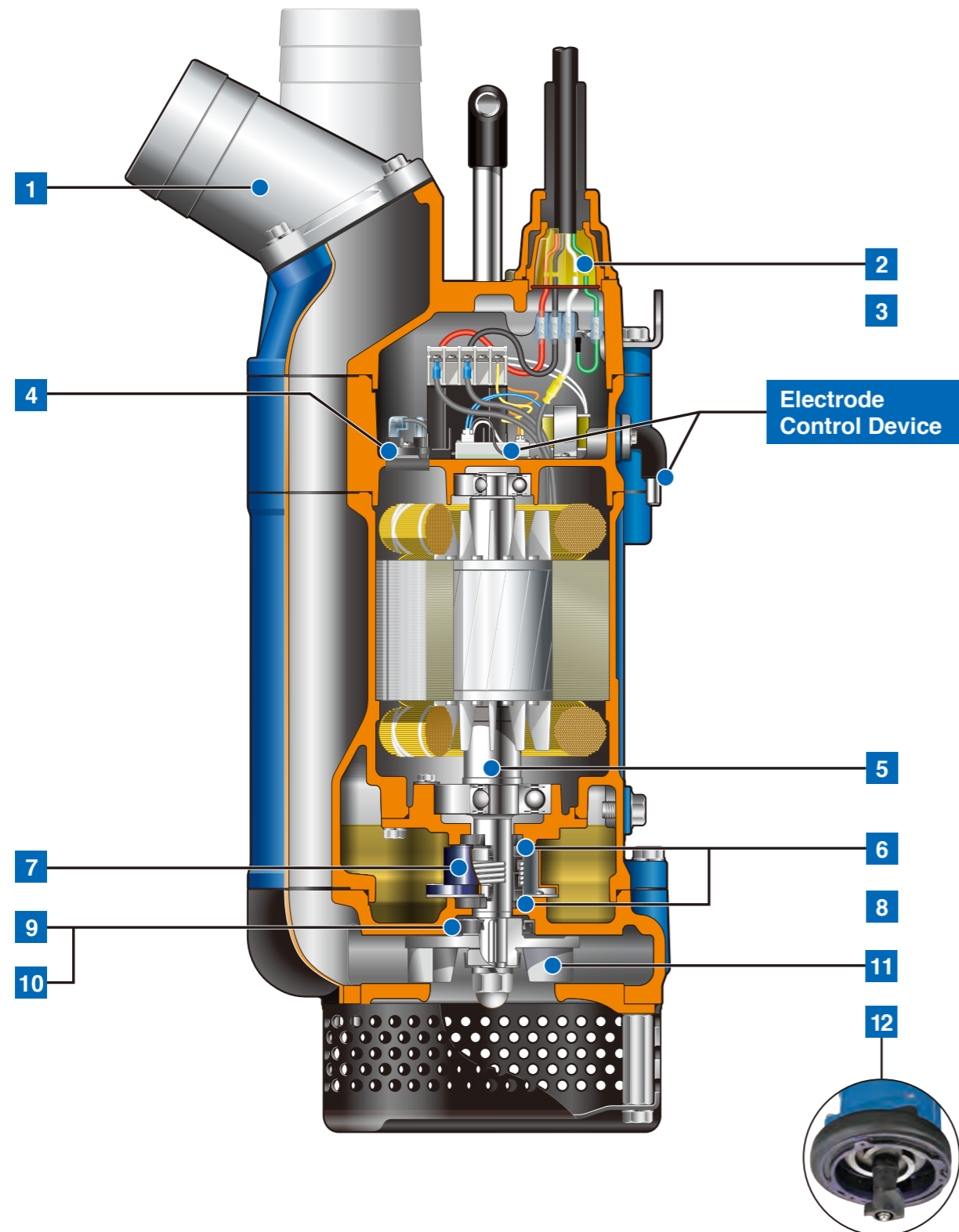
All of the parts of Tsurumi's pumps that contact fluid, including the impeller, pump casing, motor frame, strainer stand, and hose coupling, can be made in 316 stainless steel. Tsurumi's all stainless steel pump can handle corrosive fluids generated in mines or quarries, and chemical fluids of low pH value.



Top Discharge, Side Flow Design

This design assures efficient motor cooling even if the pump runs with its motor exposed to air, and also allows the overall diameter of the pump to be reduced for installation in confined spaces.

Model
KTZE43.7



Electrode Control Device (KTZE)

Consisting of an electric probe and relay unit, this enables automatic operation, reduces power consumption and extends operating life.

1 Multi-directional Hose Coupling (KTZ & KTZE)

Can be configured for inclined or vertical discharge, allowing for smoother installation.

2 Anti-wicking Cable Entry

Prevents water incursion due to capillary action should the cable sheath be damaged or the end of cable submerged. Also prevents moist air from infiltrating the motor housing and condensation from forming inside the housing due to temperature differences between the housing and outside air.

3 Cable Clip

Prevents unexpected water incursion that can occur if the cable is damaged, by protecting the cable against the tugging and rough handling found at construction sites.

4 Circle Thermal Protector

Directly cuts the motor circuit if excessive heat builds up or overcurrent occurs in the motor.

5 Shaft

Quenching treatment is applied to parts that contact particles in pumped fluids and whose mechanical seal may wear out, to enhance surface hardness and extend shaft service life.

6 Dual Inside Mechanical Seals with Silicon Carbide Faces

Isolated in the oil chamber where a clean, non-corrosive and abrasion-free lubricating environment is maintained. Compared with the water-cooled outside mechanical seal, it reduces the risk of failure caused by dry-heating and adhering matter. The silicon carbide provides 5 times higher corrosion, wear and heat resistance than the tungsten carbide. Rubber parts of the upper and lower fixing rings are made of NBR or FPM (FKM), which provides higher resistance to heat and chemicals.

7 Oil Lifter

Provides lubrication and cooling of the seal faces down to 1/3 of normal oil level, thus maintaining a stable shaft sealing effect and prolonging seal life longer. The Oil Lifter is Tsurumi original design.

8 Seal Pressure Relief Ports (7.5kW and above)

Protect the mechanical seal from pump pressure. They also protect the seal face by discharging wear particles.

9 Oil Seal (5.5kW and below)

Used as a "Dust Seal", it protects the mechanical seal from abrasive particles.

10 Labyrinth Ring (7.5kW and above)

Equipped to provide a better countermeasure against wear caused by high pressure generated in the casing and improve the maintainability.

11 High-chromium Cast Iron Semi-open Impeller

Resists wear caused by abrasive particles and enables the pump to maintain its original performance for an extended period of time.

12 Agitating Mechanism (KTD)

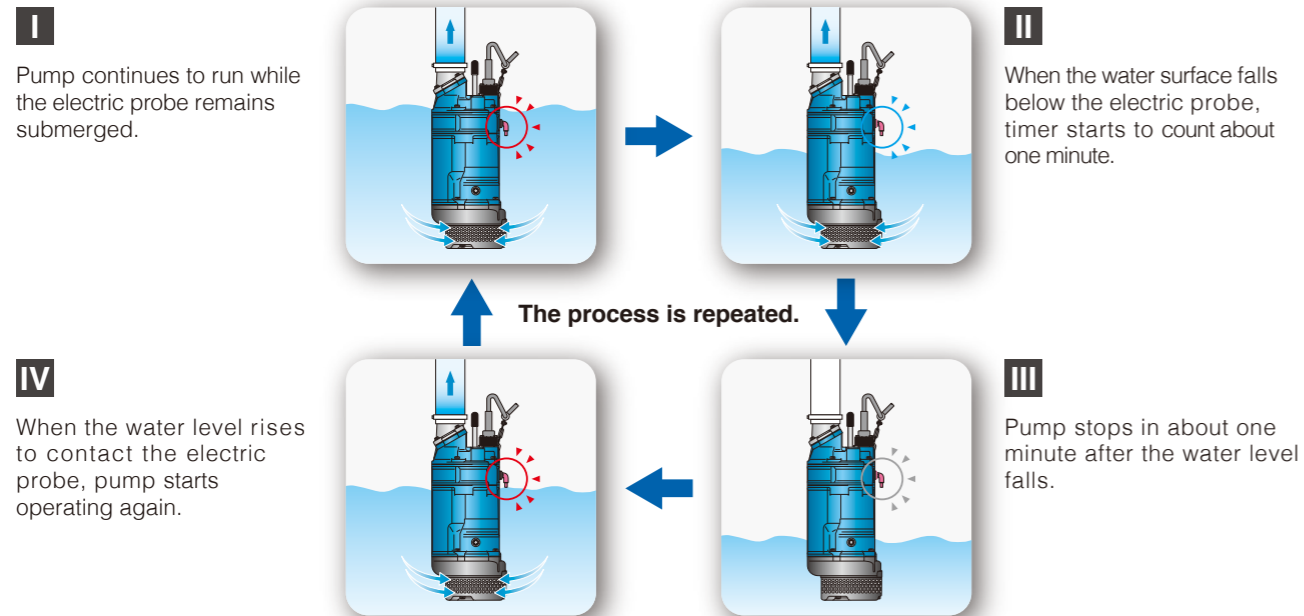
Consists of a shaft-mounted agitator and a dedicated strainer. The agitator made of high-chromium cast iron resists wear caused by abrasive particles, and it suspends solids to assist in pumping sediments in combination with the strainer.

Automatic Drainage Pumps with Electrode Control Device

Contributing to reduction of power consumption, prevention of dry-running and extension of operating life.



Automatic Operation



40 % Reduction in Power Consumption

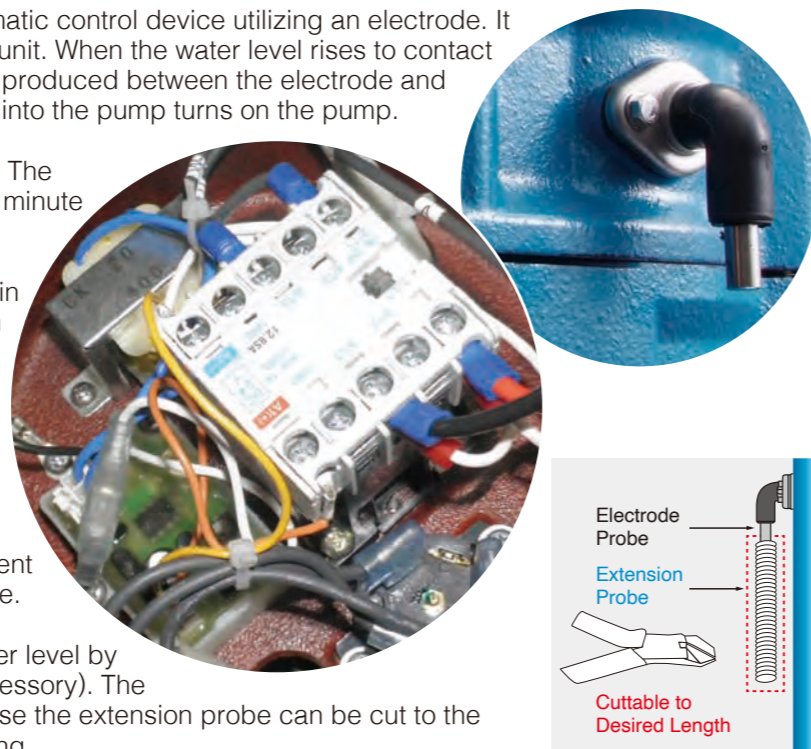
Electrode Control Device

Tsurumi has developed a unique automatic control device utilizing an electrode. It consists of an electric probe and relay unit. When the water level rises to contact the electric probe, electric continuity is produced between the electrode and the pump body, and the relay unit built into the pump turns on the pump.

The relay unit includes a timer function. The pump stops automatically in about one minute after the water surface falls below the electric probe. If the water level rises again to contact the electric probe within the run time, the pump continues to run for one more minute.

Since this mechanism eliminates dry-running, the pump can reduce power consumption by up to 40 percent compared with non-automatic pumps (Tsurumi comparison). It also prevents chattering caused by a turbulent water surface and extends operating life.

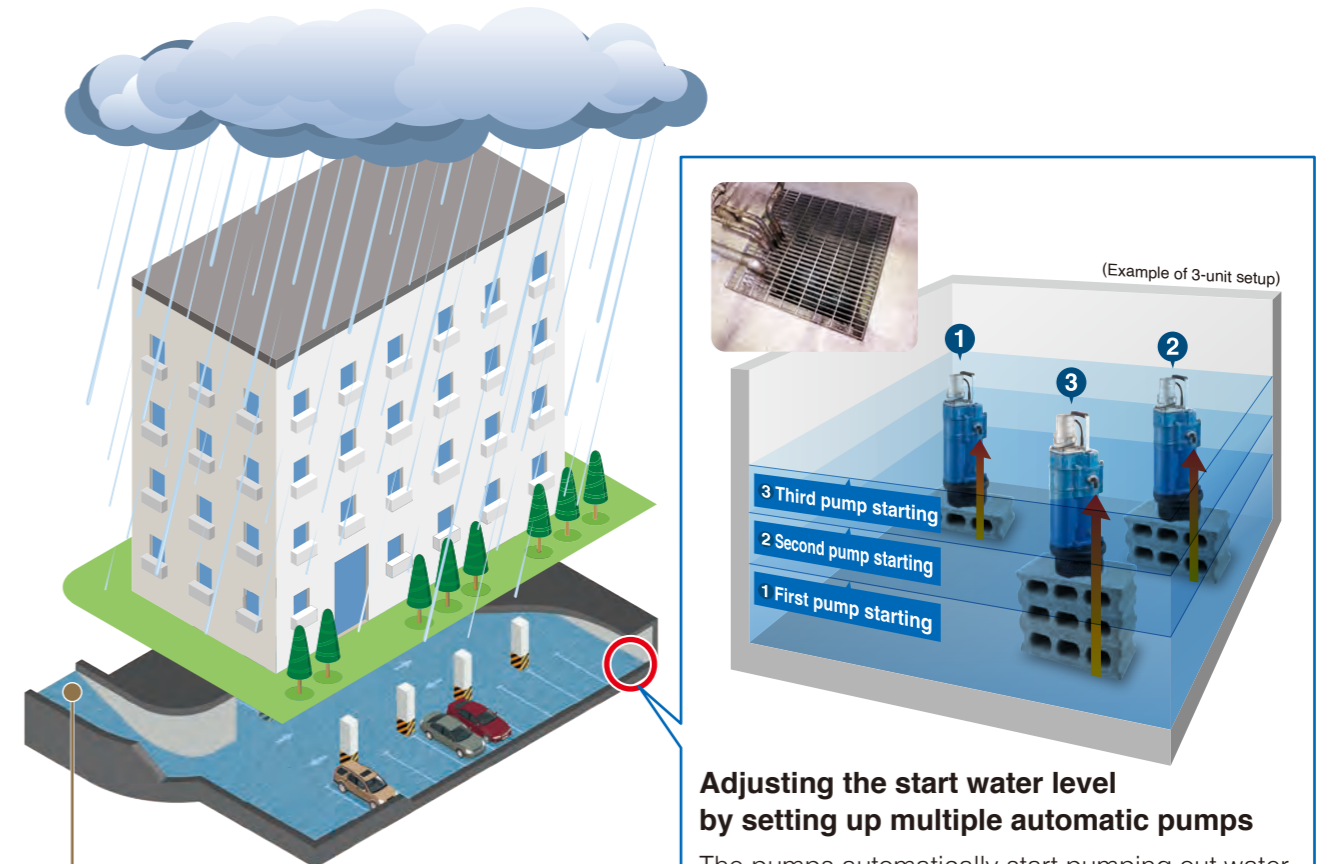
It is possible to set a lower starting water level by using an extension probe (optional accessory). The starting water level is adjustable because the extension probe can be cut to the desired length as it is made of coil spring.



Example of use of automatic pumps in an underground car park

Simply connect the pumps to a power supply for automatic operation.

By setting up multiple Tsurumi automatic pumps at different height levels, these pumps prevent damage caused by submersion in flood water resulting from heavy rain. These pumps do not require any complex setting or installation work. Installation is as easy as positioning the pumps and connecting them to a power supply. If flooding occurs and the water level increases, the pumps automatically start pumping out water.



Adjusting the start water level by setting up multiple automatic pumps

The pumps automatically start pumping out water when the water level rises, and also automatically stop when the water level decreases. Simply raise or lower the pump position using blocks or bricks to set the water level at which the pump starts operation.

For an underground car park where flood water may enter, Tsurumi automatic pumps can effectively prevent damage caused by submersion.

Electrode Probe Cover (Option)

The electrode probe for the water level sensor is a critical component for the automatic operation of the pump. Pumps are occasionally subjected to strong impacts during installation or when moving from place to place in harsh sites such as construction and mining.

Therefore, Tsurumi has prepared a probe cover made of structural steel to protect the electrode probe from strong impacts. This component can be easily installed in the field.



KTZ –Flagship Line–

The KTZ-series is a submersible three-phase cast iron high head heavy-duty drainage pump. The cast iron body with high-chromium cast iron impeller enables it to withstand demanding conditions found in construction, aggregate and mining applications. The top discharge, side flow design assures efficient motor cooling even when it operates with its motor exposed to air. The slim design allows the pump to be placed in a confined space. The discharge direction is selectable between vertical and inclined, which prevents folding or bending of the discharge hose. The pump with 7.5 to 22kW motor incorporates seal pressure relief ports that prevent the pumping pressure from applying to the shaft seal.



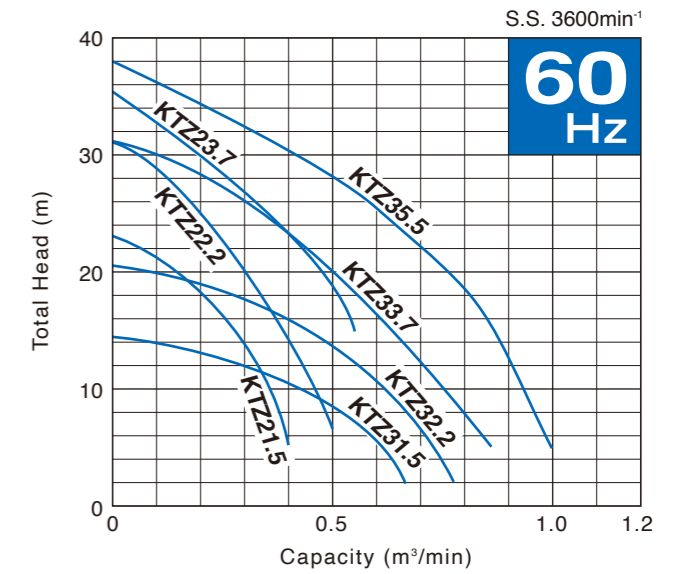
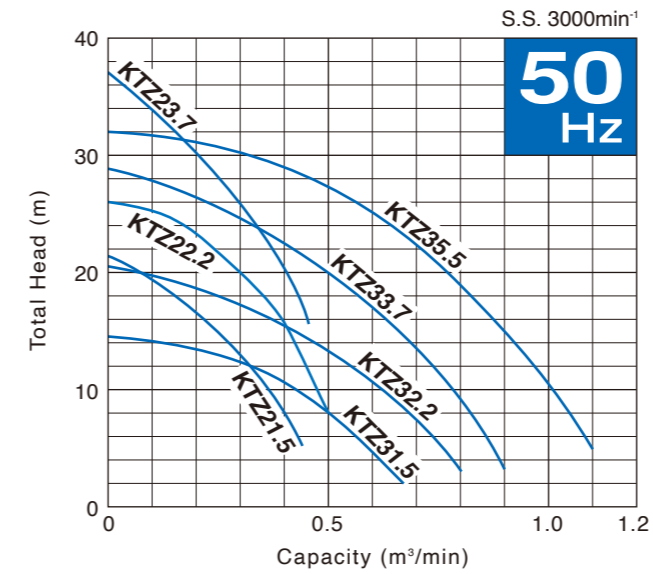
| Discharge Bore mm | Model | Motor Output kW | Phase | Starting Method | Solids Passage mm | Dry Weight* ² 50 / 60Hz kg | Cable Length m |
|----------------------|---------|--------------------|----------------------|----------------------|----------------------|---|-------------------|
| 50 | KTZ21.5 | 1.5 | Three | D.O.L. | 8.5 | 34 | 8 |
| 50 | KTZ22.2 | 2.2 | | D.O.L. | 8.5 | 35 | 8 |
| 50 | KTZ23.7 | 3.7 | | D.O.L.* ¹ | 8.5 | 60 | 8 |
| 80 | KTZ31.5 | 1.5 | | D.O.L. | 8.5 | 33 | 8 |
| 80 | KTZ32.2 | 2.2 | | D.O.L. | 8.5 | 34 | 8 |
| 80 | KTZ33.7 | 3.7 | | D.O.L.* ¹ | 8.5 | 60 | 8 |
| 80 | KTZ35.5 | 5.5 | | D.O.L.* ¹ | 8.5 | 74 | 8 |
| 100 | KTZ43.7 | 3.7 | | D.O.L.* ¹ | 8.5 | 60 | 8 |
| 100 | KTZ45.5 | 5.5 | | D.O.L.* ¹ | 8.5 | 74 | 8 |
| 100 | KTZ47.5 | 7.5 | | D.O.L.* ¹ | 12 | 101 | 8 |
| 100 | KTZ411 | 11 | | D.O.L.* ¹ | 12 | 133 | 8 |
| 100 | KTZ415 | 15 | | D.O.L.* ¹ | 12 | 146 | 8 |
| 100 | KTZ422 | 22 | | D.O.L.* ¹ | 8.5 | 295 / 294 | 10 |
| 150 | KTZ67.5 | 7.5 | | D.O.L.* ¹ | 20 | 100 | 8 |
| 150 | KTZ611 | 11 | | D.O.L.* ¹ | 20 | 133 | 8 |
| 150 | KTZ615 | 15 | | D.O.L.* ¹ | 20 | 147 | 8 |
| 150 | KTZ622 | 22 | D.O.L.* ¹ | 12 | 296 / 295 | 10 | |

*¹ Star-Delta available upon request

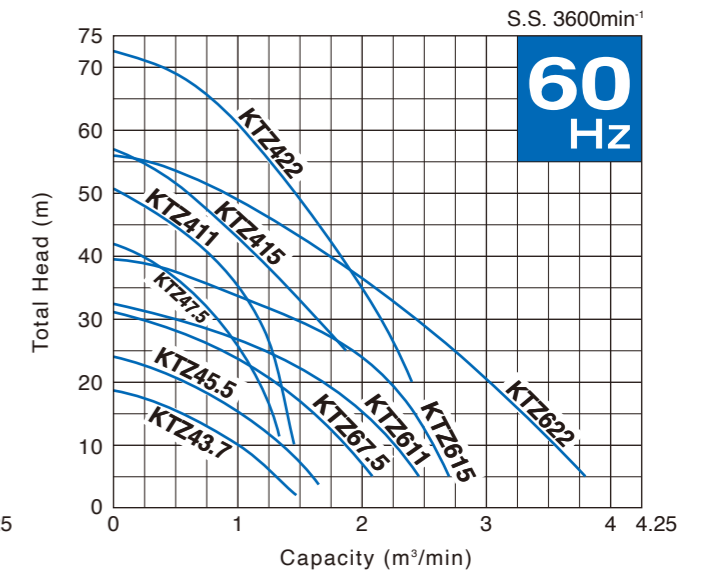
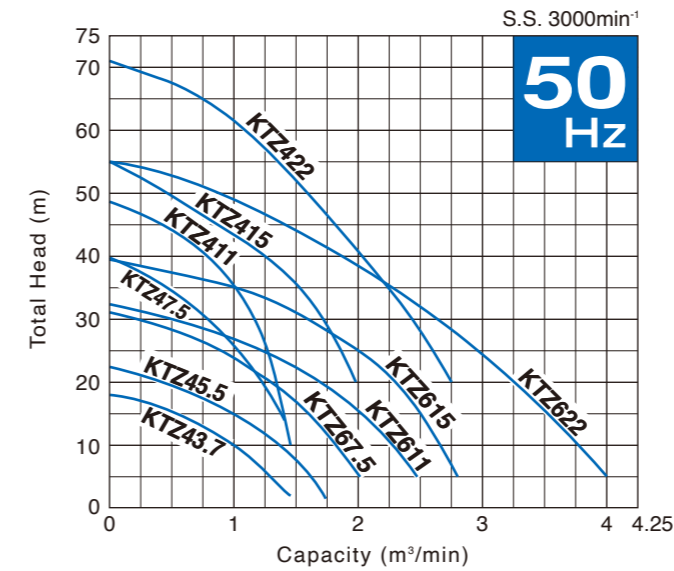
*² Weights excluding cable

Performance Curves

< 50-80mm >



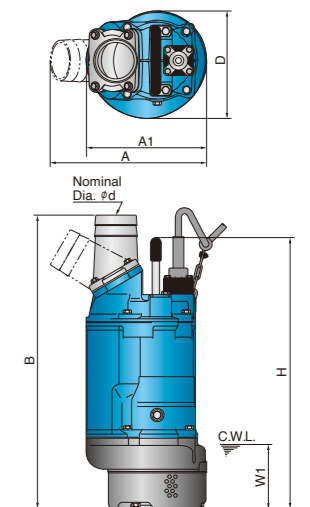
< 100-150mm >



Dimensions

Unit: mm

| Model | d | A | A1 | B | D | H | W1 |
|---------|-----|-----|-----|------|-----|------|-----|
| KTZ21.5 | 50 | 270 | 235 | 543 | 216 | 548 | 120 |
| KTZ22.2 | 50 | 270 | 235 | 563 | 216 | 568 | 120 |
| KTZ23.7 | 50 | 342 | 283 | 675 | 252 | 637 | 150 |
| KTZ31.5 | 80 | 276 | 235 | 543 | 216 | 548 | 120 |
| KTZ32.2 | 80 | 276 | 235 | 563 | 216 | 568 | 120 |
| KTZ33.7 | 80 | 347 | 283 | 675 | 252 | 637 | 150 |
| KTZ35.5 | 80 | 358 | 306 | 719 | 258 | 688 | 150 |
| KTZ43.7 | 100 | 367 | 283 | 690 | 252 | 637 | 150 |
| KTZ45.5 | 100 | 377 | 306 | 734 | 258 | 688 | 150 |
| KTZ47.5 | 100 | 399 | 330 | 812 | 314 | 697 | 190 |
| KTZ411 | 100 | 428 | 374 | 864 | 350 | 740 | 190 |
| KTZ415 | 100 | 428 | 374 | 934 | 350 | 810 | 190 |
| KTZ422 | 100 | 528 | 485 | 1200 | 413 | 1123 | 330 |
| KTZ67.5 | 150 | 445 | 361 | 875 | 314 | 697 | 190 |
| KTZ611 | 150 | 457 | 374 | 884 | 350 | 740 | 190 |
| KTZ615 | 150 | 457 | 374 | 954 | 350 | 810 | 190 |
| KTZ622 | 150 | 558 | 485 | 1220 | 413 | 1123 | 330 |



KTZE – Automatic Operation with Electrode–

The KTZE-series is a submersible three-phase automatic cast iron high head heavy-duty drainage pump. An innovative electrode type relay unit built into the pump automatically starts and stops the pump to eliminate dry-running. This mechanism greatly reduces power consumption and extends operating life. The cast iron body with high-chromium cast iron impeller enables it to withstand demanding conditions found in construction, aggregate and mining applications. The top discharge, side flow design assures efficient motor cooling even when it operates with its motor exposed to air. The slim design allows the pump to be placed in a confined space. The discharge direction is selectable between vertical and inclined, which prevents folding or bending of the discharge hose.

- ▶ No control panel required
- ▶ Dry-running prevention
- ▶ Pump life longer



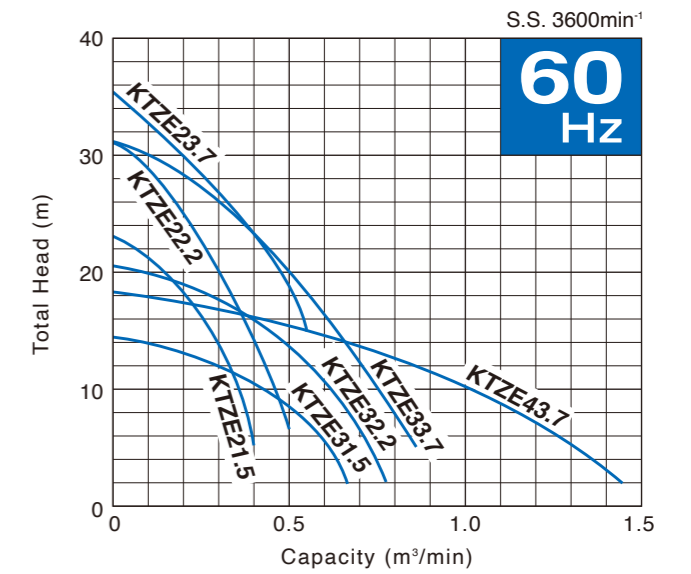
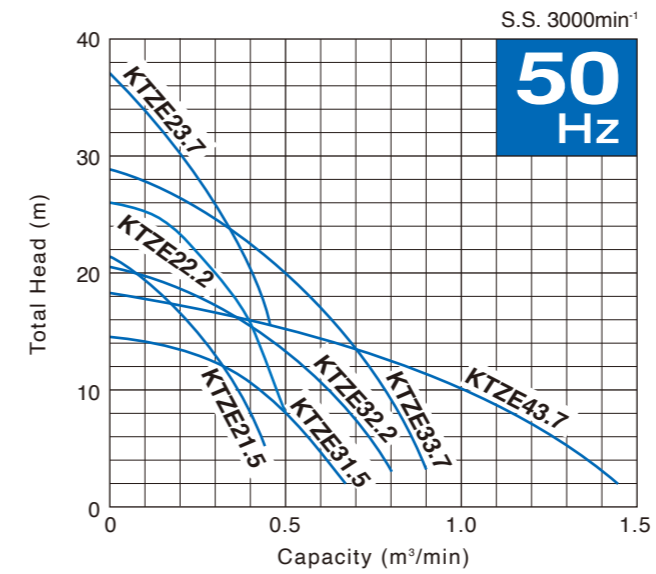
KTZE32.2

KTZE33.7

| Discharge Bore mm | Model | Motor Output kW | Phase | Starting Method | Solids Passage mm | Dry Weight* kg | Cable Length m |
|----------------------|----------|--------------------|-------|-----------------|----------------------|-------------------|-------------------|
| 50 | KTZE21.5 | 1.5 | Three | D.O.L. | 8.5 | 39 | 8 |
| 50 | KTZE22.2 | 2.2 | | D.O.L. | 8.5 | 41 | 8 |
| 50 | KTZE23.7 | 3.7 | | D.O.L. | 8.5 | 69 | 8 |
| 80 | KTZE31.5 | 1.5 | | D.O.L. | 8.5 | 38 | 8 |
| 80 | KTZE32.2 | 2.2 | | D.O.L. | 8.5 | 40 | 8 |
| 80 | KTZE33.7 | 3.7 | | D.O.L. | 8.5 | 69 | 8 |
| 100 | KTZE43.7 | 3.7 | | D.O.L. | 8.5 | 69 | 8 |

* Weights excluding cable

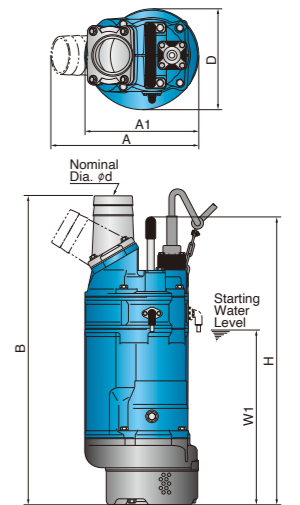
Performance Curves



Dimensions

| Model | d | A | A1 | B | D | H | W1 |
|----------|-----|-----|-----|-----|-----|-----|-----|
| KTZE21.5 | 50 | 270 | 235 | 623 | 216 | 628 | 345 |
| KTZE22.2 | 50 | 270 | 235 | 643 | 216 | 648 | 355 |
| KTZE23.7 | 50 | 342 | 283 | 755 | 252 | 717 | 435 |
| KTZE31.5 | 80 | 276 | 235 | 623 | 216 | 628 | 345 |
| KTZE32.2 | 80 | 276 | 235 | 643 | 216 | 648 | 355 |
| KTZE33.7 | 80 | 347 | 283 | 755 | 252 | 717 | 435 |
| KTZE43.7 | 100 | 367 | 283 | 770 | 252 | 717 | 435 |

Unit: mm



KTD –Slurry Pumps with Agitator–

The KTD-series is a submersible three-phase cast iron heavy-duty slurry pump. It is equipped with an agitator that assists smooth suction of the settled matters. The pump parts such as the impeller and the suction cover are made of wear-resistant materials. The top discharge, side flow design assures efficient motor cooling even when it operates with its motor exposed to air. The slim design allows the pump to be placed in a confined space.



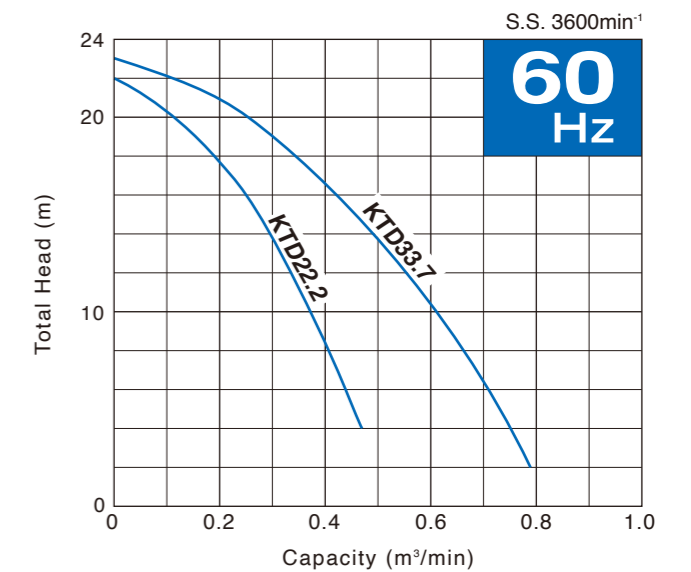
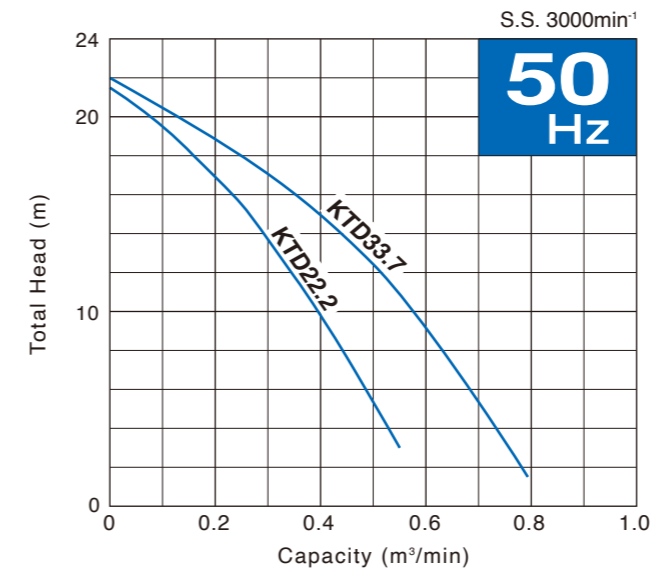
KTD22.2

KTD33.7

| Discharge Bore mm | Model | Motor Output kW | Phase | Starting Method | Solids Passage mm | Dry Weight* kg | Cable Length m |
|----------------------|---------|--------------------|-------|-----------------|----------------------|-------------------|-------------------|
| 50 | KTD22.2 | 2.2 | Three | D.O.L. | 10 | 38 | 8 |
| 80 | KTD33.7 | 3.7 | | D.O.L. | 10 | 65 | 8 |

* Weights excluding cable

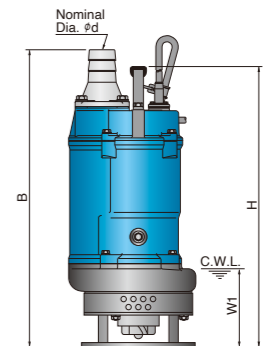
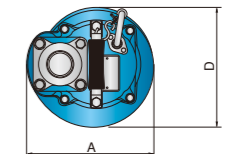
Performance Curves



Dimensions

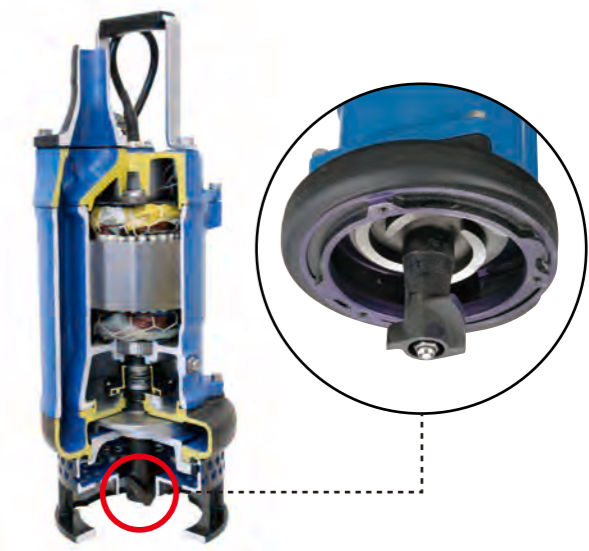
Unit: mm

| Model | d | A | B | D | H | W1 |
|---------|----|-----|-----|-----|-----|-----|
| KTD22.2 | 50 | 235 | 550 | 221 | 519 | 140 |
| KTD33.7 | 80 | 297 | 644 | 266 | 654 | 160 |



Agitator

Tsurumi's slurry pumps have an agitator made of abrasion resistant material. It is mounted on the shaft and rotates to create a downward current. This agitator assists the pump in sucking and transferring bentonite slurry, slime, mud, and water with high sand content.



Specifications

| | | KTZ | | | | | | | | | | | KTZ | | | | KTZE -Automatic- | | | | | | | KTD -Slurry- | | | |
|--------------------------|----------------------------|---|----------|--------------------|----------|---------|---------|---------------------|---------|--------|---------|--------|-----------------|---------------------|---|--------|------------------|--------------------------|----------|--------------------|----------|--------------------|----------|--------------------|-------------------|---------|---------|
| | | KTZ21.5 KTZ22.2 | KTZ23.7 | KTZ31.5 KTZ32.2 | KTZ33.7 | KTZ35.5 | KTZ43.7 | KTZ45.5 | KTZ47.5 | KTZ411 | KTZ415 | KTZ422 | | | KTZ67.5 | KTZ611 | KTZ615 | KTZ622 | KTZE21.5 | KTZE22.2 | KTZE23.7 | KTZE31.5 | KTZE32.2 | KTZE33.7 | KTZE43.7 | KTD22.2 | KTD33.7 |
| PUMP | Discharge Bore mm | 50 | | 80 | | | 100 | | | | | | | | 150 | | | 50 | | | 80 | | | 100 | 50 | 80 | |
| | Discharge Connection | Hose Coupling | | | | | | | | | | | | | Hose Coupling | | | | | | | | | | | | |
| | Solids Passage mm | 8.5 | | | | | | 12 | | 8.5 | | | | | 20 | | 12 | | 8.5 | | | | | 10 | | | |
| | Impeller | Semi-open | | | | | | | | | | | | | Semi-open | | | | | | | | | | | | |
| | | High-chromium Cast Iron | | | | | | | | | | | | | High-chromium Cast Iron | | | | | | | | | | | | |
| | Suction Cover | Ductile Cast Iron | | | | | | | | | | | | | Ductile Cast Iron | | | | | | | | | | | | |
| | Oil Seal | Nitrile Butadiene Rubber | | | | | | — | | | | | | | — | | | Nitrile Butadiene Rubber | | | | | | | | | |
| | Labyrinth Ring | — | | | | | | 304 Stainless Steel | | | | | | | 304 Stainless Steel | | | — | | | | | | | | | |
| | Casing | Gray Cast Iron | | | | | | | | | | | | | Gray Cast Iron | | | | | | | | | | | | |
| | Shaft Seal | Dual Inside Mechanical Seals (with Oil Lifter) | | | | | | | | | | | | | Dual Inside Mechanical Seals (with Oil Lifter) | | | | | | | | | | | | |
| Silicon Carbide | | | | | | | | | | | | | Silicon Carbide | | | | | | | | | | | | | | |
| Agitator | — | | | | | | | | | | | | | — | | | | | | | | | | | Ductile Cast Iron | | |
| MOTOR | Type | Continuous-duty Rated, Dry-type Induction Motor | | | | | | | | | | | | | Continuous-duty Rated, Dry-type Induction Motor | | | | | | | | | | | | |
| | Output kW | 1.5 2.2 | 3.7 | 1.5 2.2 | 3.7 | 5.5 | 3.7 | 5.5 | 7.5 | 11 | 15 | 22 | | | 7.5 | 11 | 15 | 22 | 1.5 | 2.2 | 3.7 | 1.5 | 2.2 | 3.7 | 2.2 | 3.7 | |
| | Phase | Three | | | | | | | | | | | | | Three | | | | | | | | | | | | |
| | Pole | 2 | | | | | | | | | | | | | 2 | | | | | | | | | | | | |
| | Insulation | F | | | | | | | | | | | | | F | | | | | | | | | | | | |
| | Starting Method | D.O.L. | D.O.L.*2 | D.O.L. | D.O.L.*2 | | | | | | | | | | D.O.L.*2 | | | D.O.L. | | | | | | | | | |
| | Motor Protector (built-in) | CTP | | | | | | | | | MTP | | | | CTP | | MTP | CTP | | | | | | | | | |
| | Lubricant ml | 740 | 1250 | 740 | 1250 | 1100 | 1250 | 1100 | 760 | 820 | 2000 | | | 760 | 820 | 2000 | 740 | 1250 | 740 | 1250 | 740 | 1250 | 740 | 1250 | | | |
| | | Turbine Oil (ISO VG32) | | | | | | | | | | | | | Turbine Oil (ISO VG32) | | | | | | | | | | | | |
| | Frame | Gray Cast Iron | | | | | | | | | | | | | Gray Cast Iron | | | | | | | | | | | | |
| Shaft | 420 Stainless Steel | | | | | | | | | | | | | 420 Stainless Steel | | | | | | | | | | | | | |
| Power Cable m | 8 | | | | | | | | | 10 | | | | 8 | | 10 | | 8 | | | | | | | | | |
| | PVC | Chloroprene Rubber | PVC | Chloroprene Rubber | | | | | | | | | | Chloroprene Rubber | | | PVC | Chloroprene Rubber | PVC | Chloroprene Rubber | PVC | Chloroprene Rubber | PVC | Chloroprene Rubber | | | |
| Automatic Control Device | — | | | | | | | | | | | | | — | | | Electrode | | | | | | | — | | | |
| Dry Weight*1 50/60Hz kg | 34 35 | 60 | 33 34 | 60 | 74 | 60 | 74 | 101 | 133 | 146 | 295/294 | | | 100 | 133 | 147 | 296/295 | 39 | 41 | 69 | 38 | 40 | 69 | 38 | 65 | | |

*1 Weights excluding cable *2 Star-Delta available upon request



We reserve the right to change the specifications and designs without prior notice. The OO series and model OO are indicated with our series/model codes in this catalog.

**TSURUMI
MANUFACTURING CO., LTD.**

Your Dealer