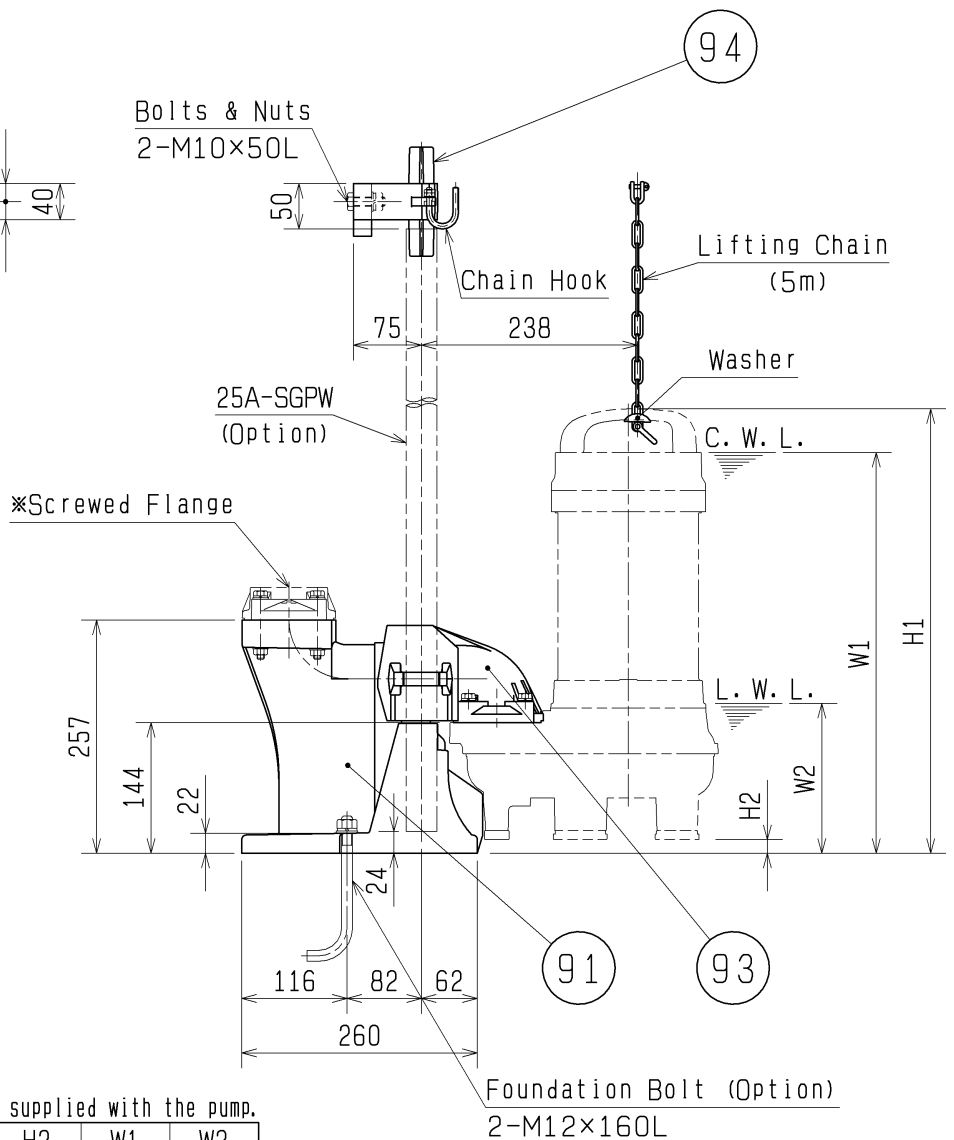
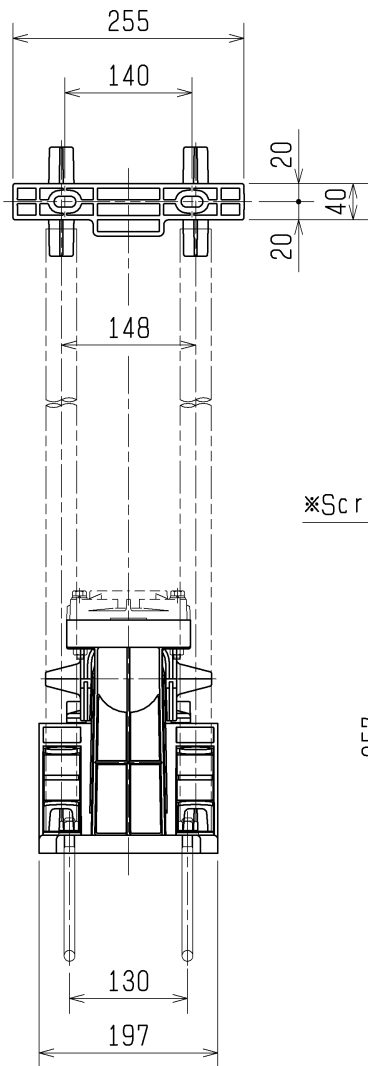
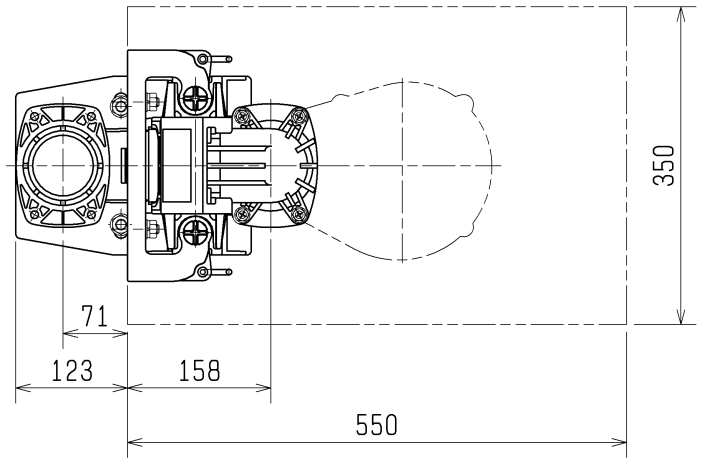


DIMENSION DRAWING		No.	No. A-18026-1
TYPE	Guide Rail Fittings	MODEL	TOK2-65

PARTS LIST

No.	DESCRIPTION	Q'TY	MATERIAL / NOTE	Approximate Weight
91	Duck Foot Bend	1	Plastic W/GF	3.2kg
93	Guide Hook	1	Plastic W/GF	
94	Guide Support	1	Plastic W/GF	
	Lifting Chain	1 Set	Stainless Steel 304	



※Use the screwed flange which is supplied with the pump.

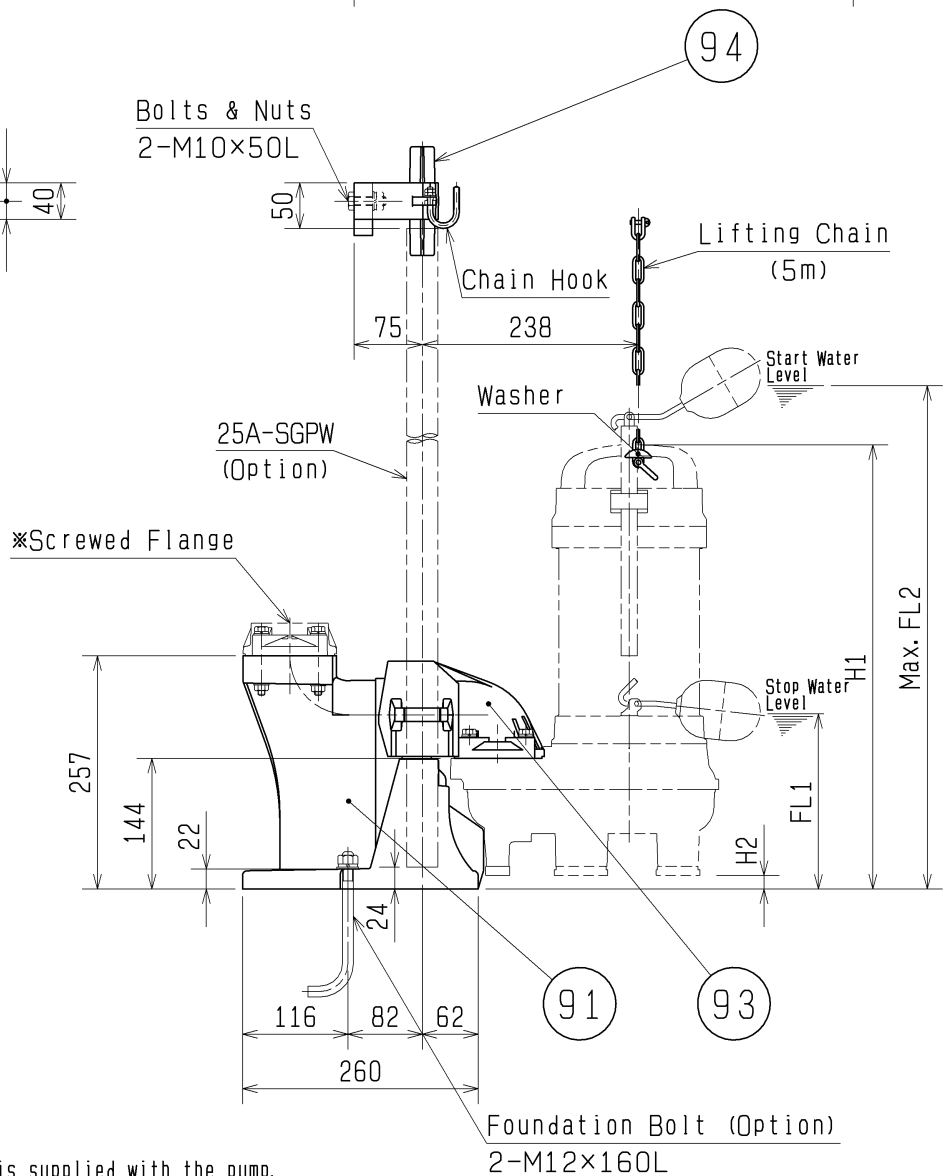
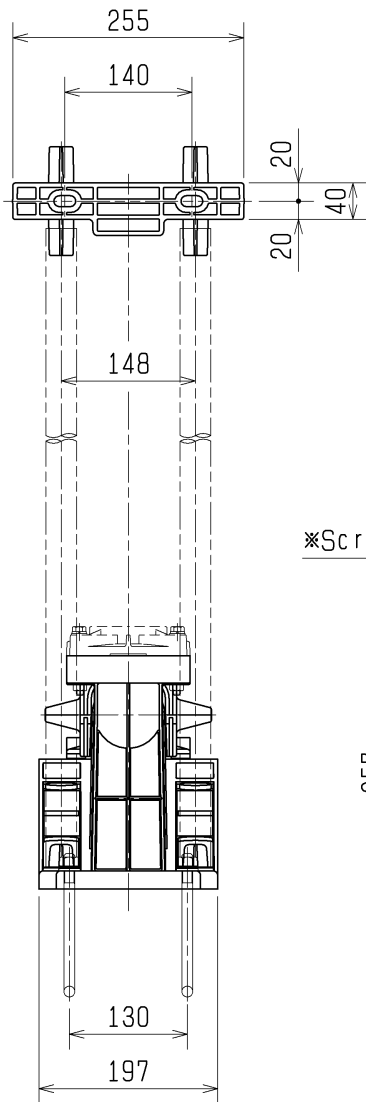
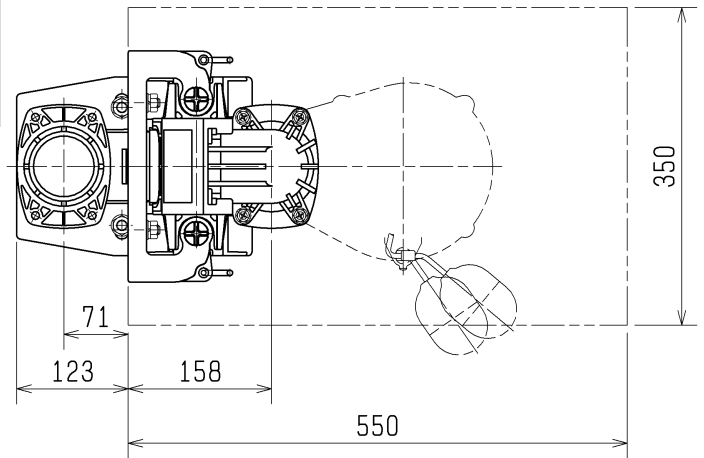
MODEL	H1	H2	W1	W2
80PU21.5 -52/62	490	15	445	165
50PSF21.5 -52/62	490	55	445	165
50PN21.5 -52/62	490	55	445	165

C.W.L. :Continuous running Water Level
L.W.L. :Lowest running Water Level

DIMENSION DRAWING		No.	No. A-18027-1
TYPE	Guide Rail Fittings	MODEL	TOK2-65 (Automatic)

PARTS LIST

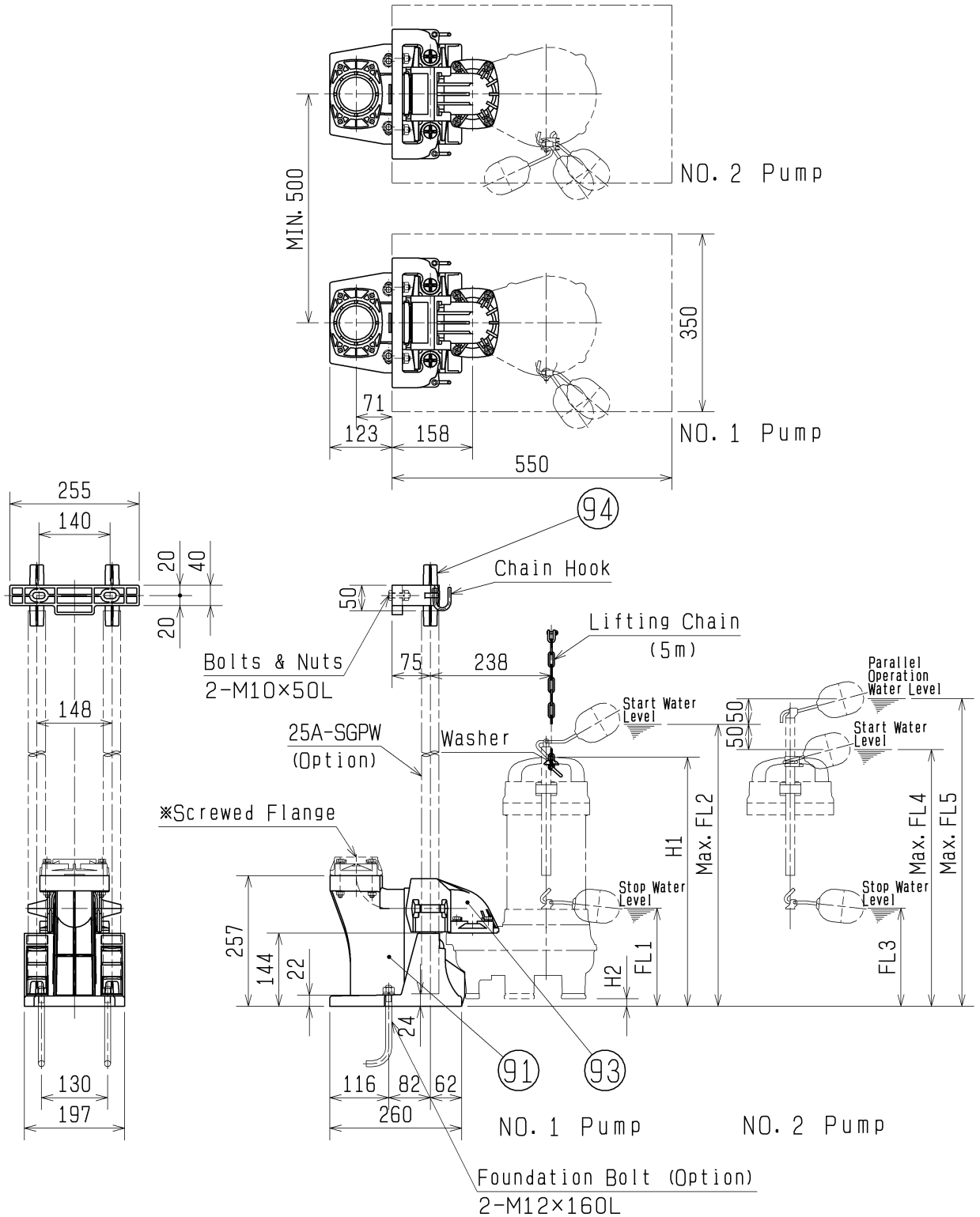
No.	DESCRIPTION	QTY	MATERIAL / NOTE	Approximate Weight
91	Duck Foot Bend	1	Plastic W/GF	3.2 kg
93	Guide Hook	1	Plastic W/GF	
94	Guide Support	1	Plastic W/GF	
	Lifting Chain	1 Set	Stainless Steel 304	



※Use the screwed flange which is supplied with the pump.

MODEL		H1	H2	FL1	FL2
80PUA21.5	-52/62	490	15	193	678
50PSFA21.5	-52/62	490	55	193	678
50PNA21.5	-52/62	490	55	193	678

DIMENSION DRAWING		No.	No. A-18028-1
TYPE	Guide Rail Fittings	MODEL	TOK2-65 (Auto-Alternation)



PARTS LIST

*Use the screwed flange which is supplied with the pump.

MODEL	H1	H2	FL1	FL2	FL3	FL4	FL5	No.	DESCRIPTION	QTY	MATERIAL / NOTE	Approximate Weight
80PUW21.5 -52/62	490	15	193	678	193	628	728	91	Duck Foot Bend	1	Plastic W/GF	3.2kg
50PSFW21.5 -52/62	490	55	193	678	193	628	728	93	Guide Hook	1	Plastic W/GF	
50PNW21.5 -52/62	490	55	193	678	193	628	728	94	Guide Support	1	Plastic W/GF	
									Lifting Chain	1 Set	Stainless Steel 304	