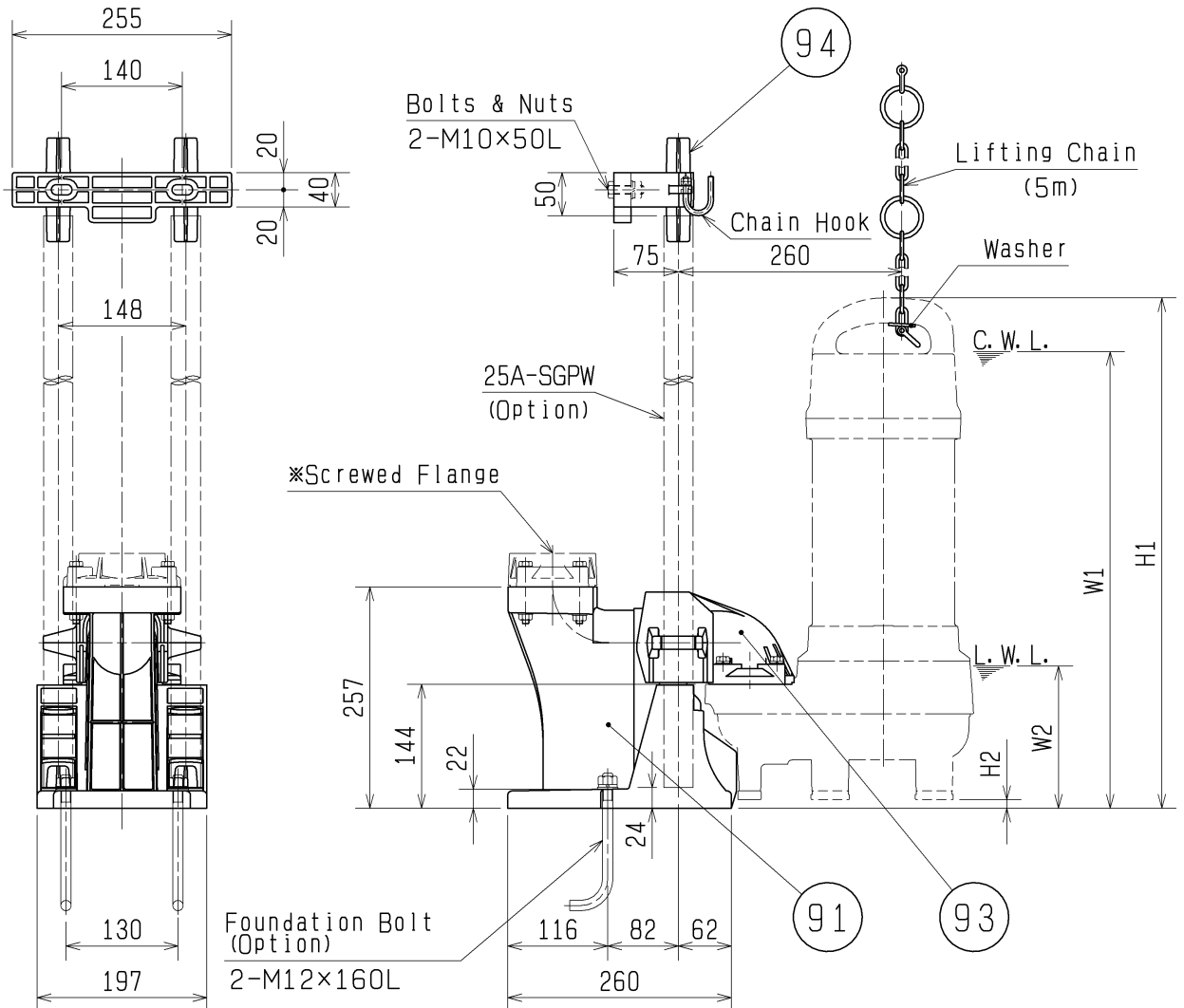
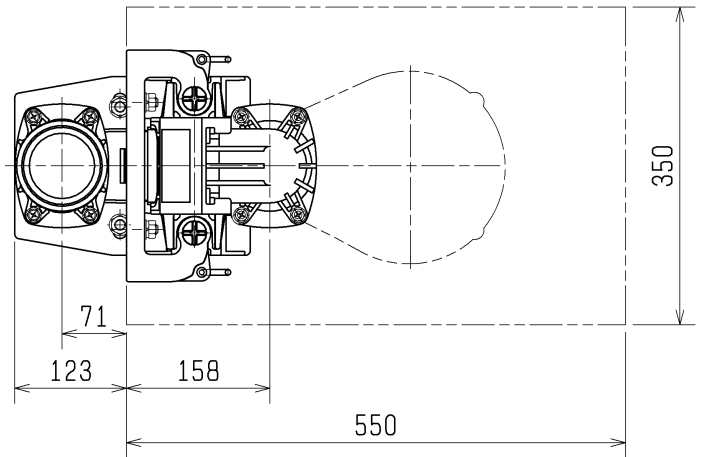


DIMENSION DRAWING		No.	No. A-18064-2
TYPE	Guide Rail Fittings	MODEL	TOK2-65T

PARTS LIST

No.	DESCRIPTION	Q'TY	MATERIAL / NOTE	Approximate Weight
91	Duck Foot Bend	1	Plastic W/GF	4.0kg
93	Guide Hook	1	Plastic W/GF	
94	Guide Support	1	Plastic W/GF	
	Lifting Chain	1 Set	Stainless Steel 304	



※Use the screwed flange which is supplied with the pump.

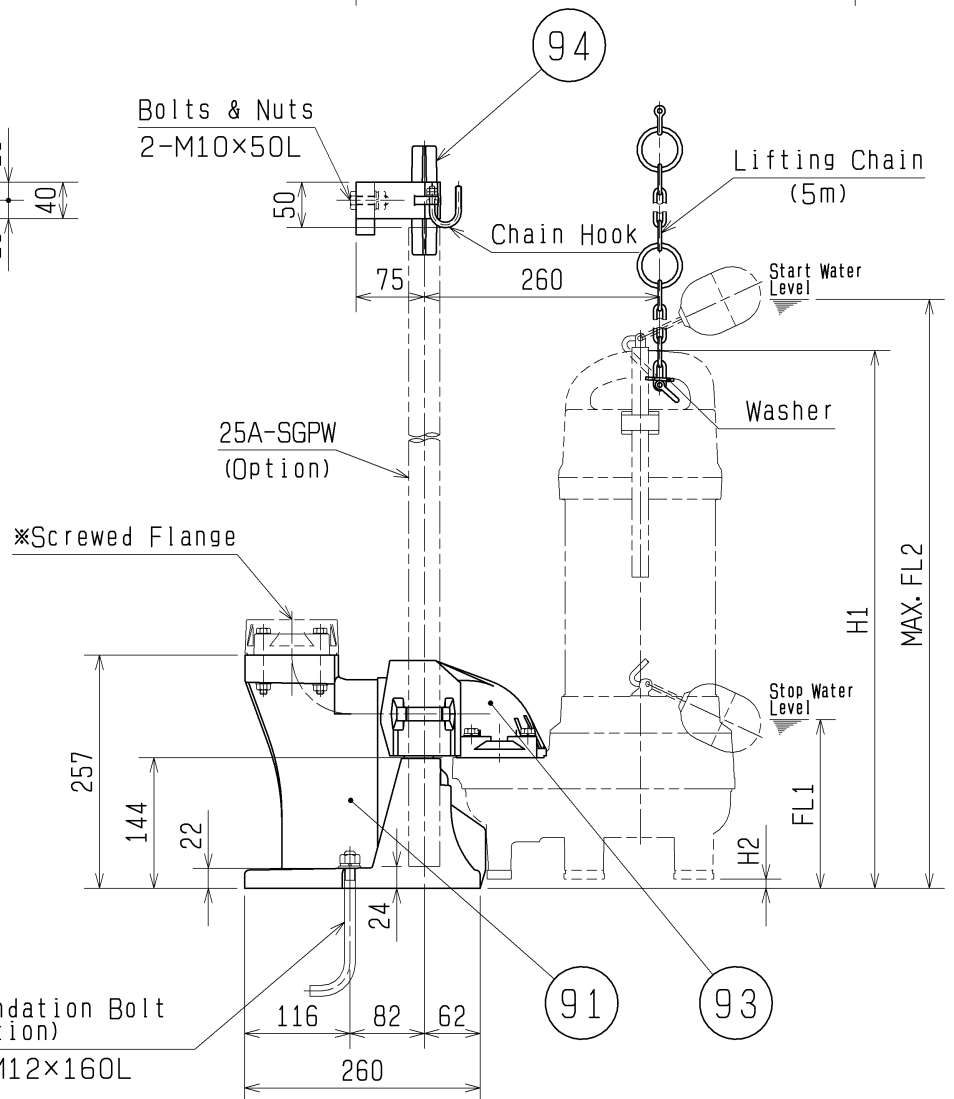
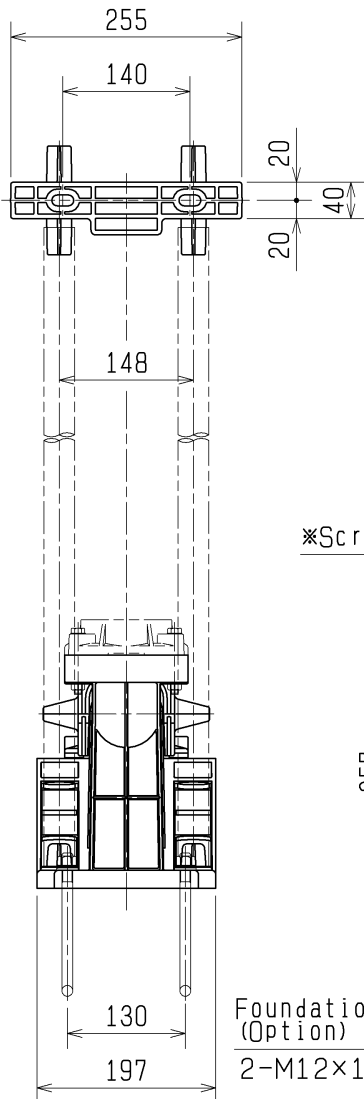
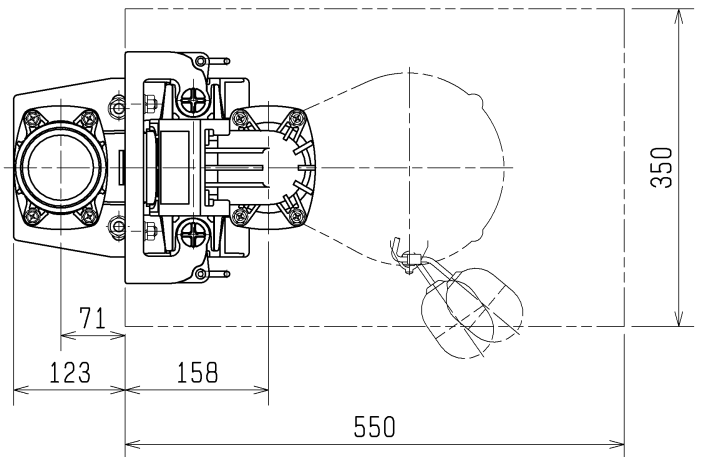
MODEL	H1	H2	W1	W2
80PN22. 2-51/61	593	34	530	165
80PN23. 7-51/61	628	34	565	165
65PSF22. 2-51/61	593	34	530	165
65PSF23. 7-51/61	628	34	565	165
80PU22. 2-51/61	593	10	530	165
80PU23. 7-51/61	628	10	565	165

C.W.L. :Continuous running Water Level
L.W.L. :Lowest running Water Level

DIMENSION DRAWING		No.	No. A-18065-2
TYPE	Guide Rail Fittings	MODEL	TOK2-65T (Automatic)

PARTS LIST

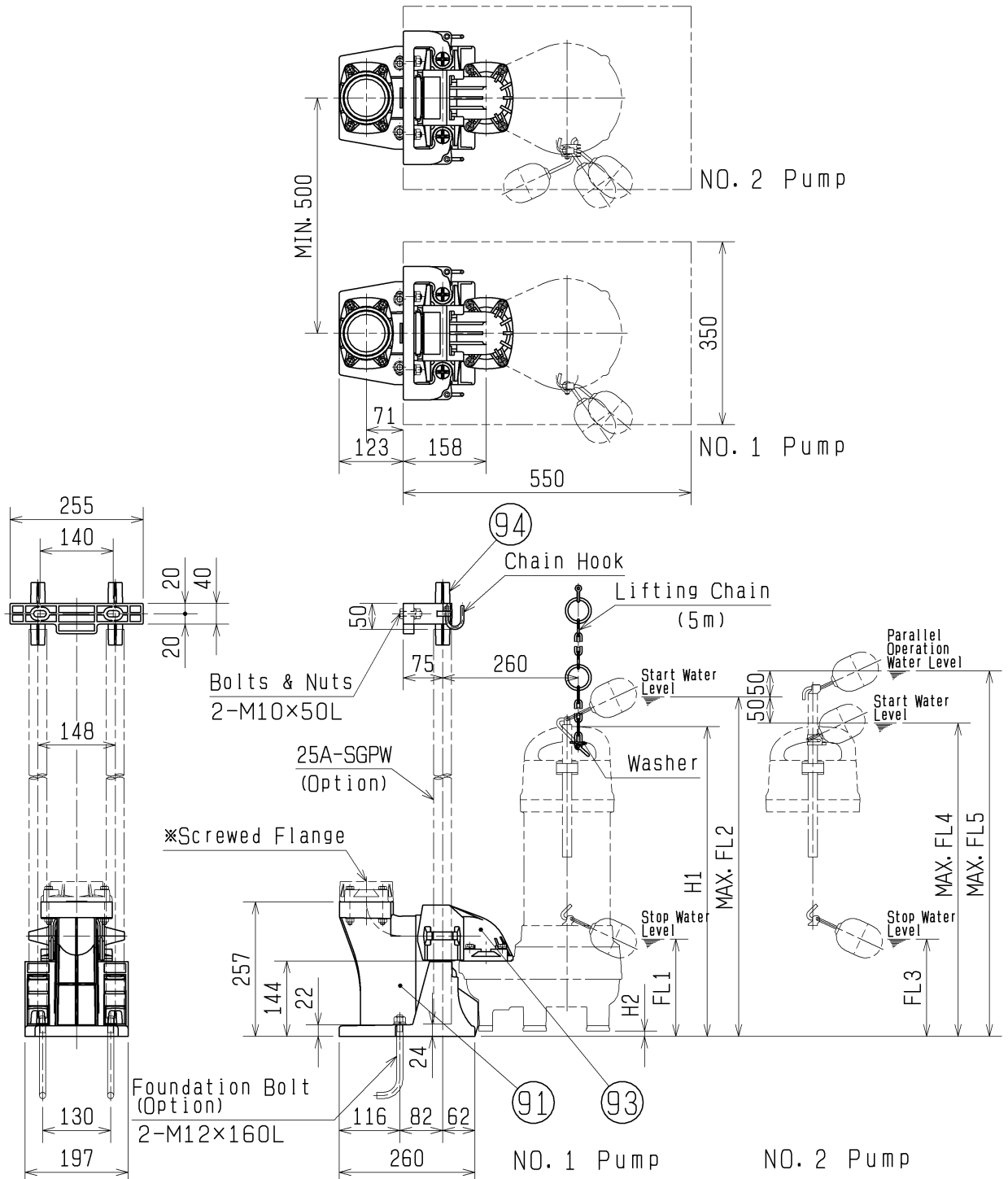
No.	DESCRIPTION	QTY	MATERIAL / NOTE	Approximate Weight
91	Duck Foot Bend	1	Plastic W/GF	4.0 kg
93	Guide Hook	1	Plastic W/GF	
94	Guide Support	1	Plastic W/GF	
	Lifting Chain	1 Set	Stainless Steel 304	



※Use the screwed flange which is supplied with the pump.

MODEL	H1	H2	FL1	FL2
80PNA22. 2-51/61	593	34	186	801
80PNA23. 7-51/61	628	34	186	836
65PSFA22. 2-51/61	593	34	186	801
65PSFA23. 7-51/61	628	34	186	836
80PUA22. 2-51/61	593	10	186	801
80PUA23. 7-51/61	628	10	186	836

DIMENSION DRAWING		No.	No.
TYPE	Guide Rail Fittings	MODEL TOK2-65T (Auto-Alternation)	



※Use the screwed flange which is supplied with the pump.

MODEL	H1	H2	FL1	FL2	FL3	FL4	FL5
80PNW22. 2-51/61	593	34	186	801	186	751	851
80PNW23. 7-51/61	628	34	186	836	186	786	886
65PSFW22. 2-51/61	593	34	186	801	186	751	851
65PSFW23. 7-51/61	628	34	186	836	186	786	886
80PUW22. 2-51/61	593	10	186	801	186	751	851
80PUW23. 7-51/61	628	10	186	836	186	786	886

PARTS LIST

No.	DESCRIPTION	QTY	MATERIAL / NOTE	Approximate Weight
91	Duck Foot Bend	1	Plastic W/GF	4.0kg
93	Guide Hook	1	Plastic W/GF	
94	Guide Support	1	Plastic W/GF	
✓	Lifting Chain	1 Set	Stainless Steel 304	