

| SPECIFICATIONS | Model | GPN622 | | | | | | | |
|---|--------------|-----------------------------|--------------|--------------|--------------|--------------|--------------|--------------|---|
| | | GPN-series 22kW, 3-phase | | | | | | | |
| <p>Type of Pump Submersible slurry pump for construction and foundation works, mining, and quarries, etc.</p> <p>Type of Fluid Water containing sand, mud, and slurry</p> <p>Temperature: 0 to 40°C (High temperature model available on special request)</p> <p>Discharge Bore & Connection 150mm, Hose Coupling</p> <p>Motor Output 22kW</p> <p>Power Supply Three-phase</p> <p>Starting Method Direct on Line (Star-Delta available on special request)</p> <p>Motor Continuous-duty rated, dry-type induction motor</p> <p>Insulation Class: F Degree of Protection: IP68</p> <p>No. of Poles & Speed (Synchronous Speed) 4-pole, 1500/1800min⁻¹ (50/60Hz)</p> <p>Power Supply Voltages & Rated Currents</p> <table border="0"> <tr> <td>50Hz</td> <td>60Hz</td> </tr> <tr> <td>380V – 43.5A</td> <td>220V – 75.0A</td> </tr> <tr> <td>400V – 42.5A</td> <td>380V – 43.4A</td> </tr> <tr> <td>415V – 42.0A</td> <td>440V – 37.5A</td> </tr> </table> <p>Power Cable Sheath: Chloroprene rubber Standard Length: 10m 380 to 600V supply: 1 x (4 x 14mm² / 3 x 2mm²) O.D. 25.6mm 200 to 240V supply: 1 x 4 x 22mm², O.D. 31.6mm 1 x 4 x 1.25mm², O.D. 11.1mm</p> <p>Dry Weight (excluding cable) Free Standing Type: 415kg Guide Rail Fitting Type: 412kg</p> | 50Hz | 60Hz | 380V – 43.5A | 220V – 75.0A | 400V – 42.5A | 380V – 43.4A | 415V – 42.0A | 440V – 37.5A | <p>Impeller Semi-open Impeller made of high-chromium cast iron</p> <p>Solids Passage 50Hz – ϕ30mm 60Hz – ϕ30mm</p> <p>Agitator High-chromium cast iron</p> <p>Suction Plate Made of high-chromium cast iron, excellent in abrasion-resistance</p> <p>Cable Entry with Anti-Wicking Block Watertight cable entry with strain-relief device. The anti-wicking block prevents water incursion due to capillary action should the power cable be damaged or the end submerged.</p> <p>Bearing Permanently lubricated, deep-groove, double-shielded C3 ball bearings</p> <p>Shaft Chromium molybdenum steel</p> <p>Shaft Seal (Mechanical Seal) Furnished with a double-face mechanical seal located in oil chamber. Both upper and lower seal faces always run in a clean environment.</p> <p>Upper Seal Face: SiC + SiC Lower Seal Face: SiC + SiC</p> <p>Oil Seal (Lip Seal) Used as a "Dust Seal", it protects the mechanical seal from abrasive particles.</p> <p>OIL LIFTER (Patented) Equipped in oil chamber. It forcibly supplies lubricating oil to the mechanical seal and continues to supply the oil to the upper seal faces even if lubricant falls below the rated volume.</p> <p>Type of Lubricating Oil & Volume Turbine Oil (ISO VG32), 3600ml</p> <p>Motor Protection Device A miniature thermal protector is embedded in each winding of the motor. Should excessive heat builds up, the bimetal strip opens to cause the control panel to shut the power supply.</p> <p>Leakage Sensor Made of 304 stainless steel. It can be wired to a control panel to alert operators of water incursion into the oil chamber.</p> |
| 50Hz | 60Hz | | | | | | | | |
| 380V – 43.5A | 220V – 75.0A | | | | | | | | |
| 400V – 42.5A | 380V – 43.4A | | | | | | | | |
| 415V – 42.0A | 440V – 37.5A | | | | | | | | |

NO. J4-40821-1

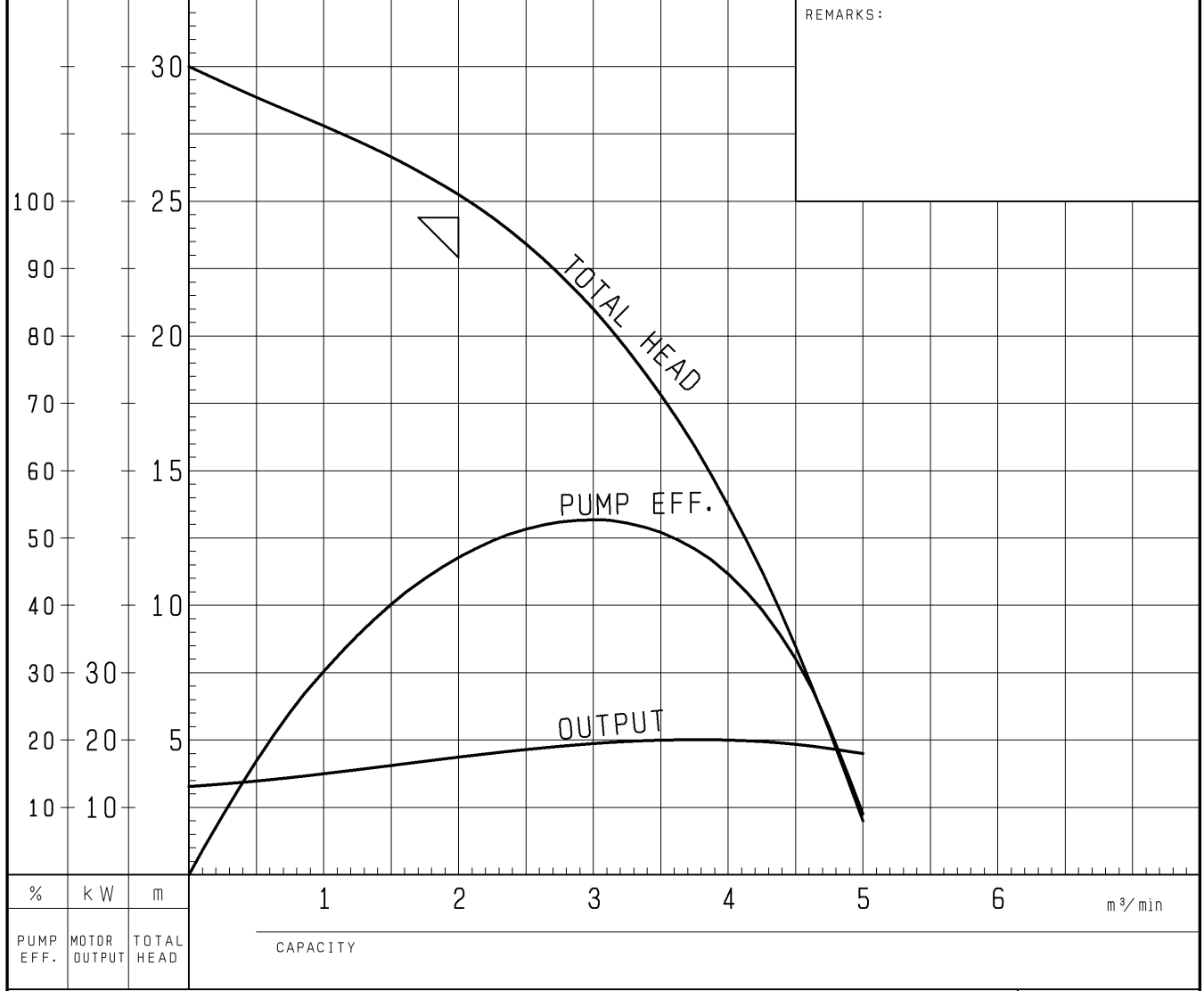
PUMP PERFORMANCE CURVES

| | | |
|---------------------------------|---------------------------|---------------------------|
| TYPE SUBMERSIBLE PUMP | MODEL GPN622-51 | FREQUENCY 50 Hz |
|---------------------------------|---------------------------|---------------------------|

CUSTOMER'S NAME _____

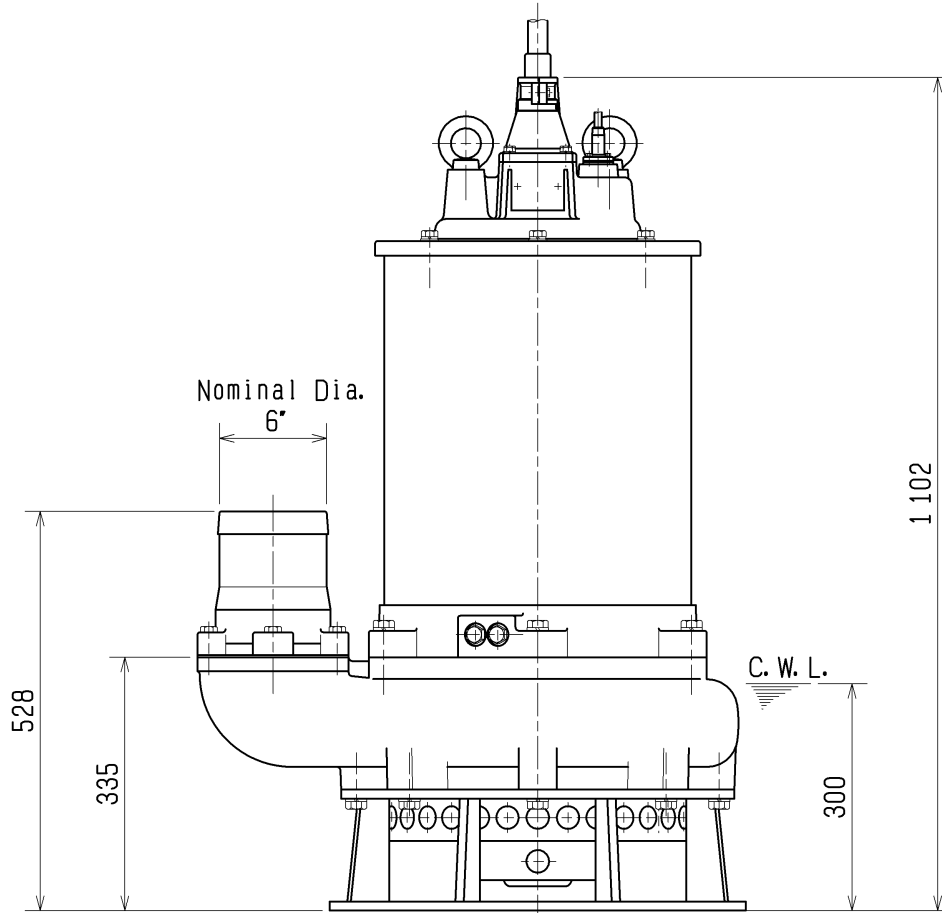
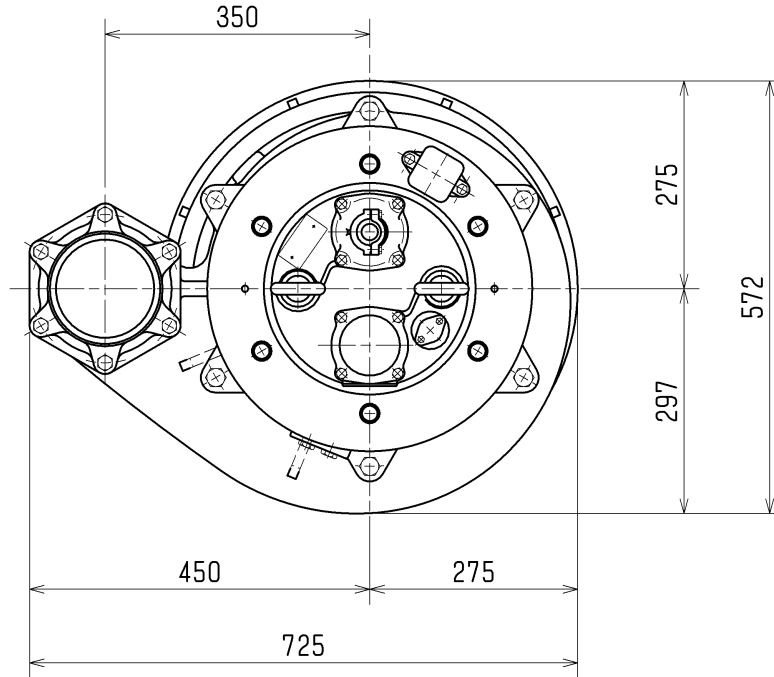
EQUIPMENT TITLE _____ NO. _____

| | STANDARD SPECIFICATIONS | REQUIRED SPECIFICATIONS |
|--------------------|------------------------------------|-------------------------|
| DISCHARGE BORE | 150 mm | mm |
| TOTAL HEAD | 24.4 m | m |
| CAPACITY | 2.0 m ³ /min | m ³ /min |
| MOTOR OUTPUT | 22 kW | kW |
| PHASE × VOLTAGE | 3 φ × V | φ × V |
| CURRENT | A | A |
| POLES / REVOLUTION | 4 P / s. s. 1500 min ⁻¹ | P / min ⁻¹ |
| STARTING METHOD | DIRECT ON LINE | |
| INSULATION CLASS | F | |



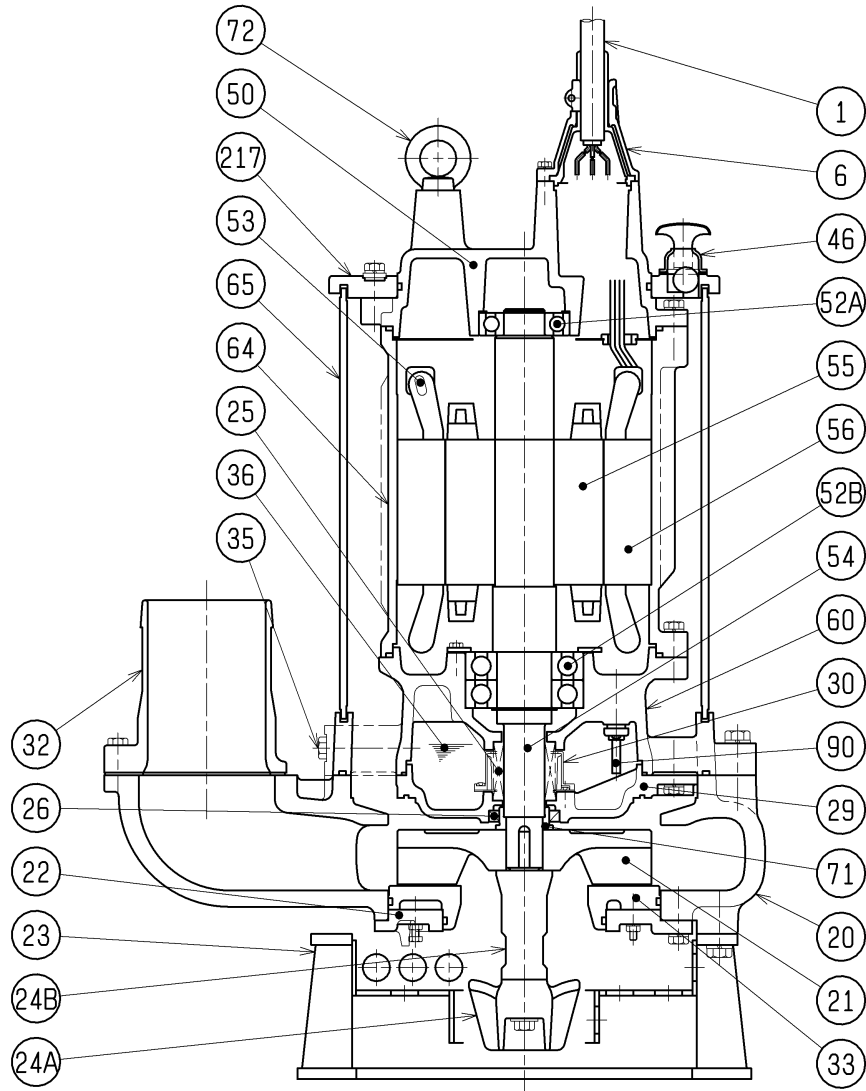
TSURUMI MFG. CO., LTD.

| | | | |
|-------------------|------------------|-------|----------------|
| DIMENSION DRAWING | | No. | No. J4-40825-1 |
| TYPE | SUBMERSIBLE PUMP | MODEL | GPN622-51/61 |



C.W.L. :Continuous Running Water Level

| | | | |
|-------------------|------------------|-------|----------------|
| SECTIONAL DRAWING | | No. | No. J4-40826-2 |
| TYPE | SUBMERSIBLE PUMP | MODEL | GPN622-51/61 |



| REQ. SPECIFICATION | |
|--------------------|--|
| | |
| | |

| No. | DESCRIPTION | QTY | MATERIAL / NOTE | No. | DESCRIPTION | QTY | MATERIAL / NOTE |
|-----|-----------------|-----|-------------------------------------|-----|--------------------------|-----|---------------------------|
| 1 | Cabtyre Cable | 1 | Chloroprene Sheath * | 46 | Air Release Valve | 1 | Steel Sheet |
| 6 | Stuffing Box | 1 | Gray Iron Casting | 50 | Motor Bracket | 1 | Gray Iron Casting |
| 20 | Pump Casing | 1 | Gray Iron Casting | 52A | Upper Bearing | 1 | 6309ZZC3 |
| 21 | Impeller | 1 | Chromium Iron Casting | 52B | Lower Bearing | 1 | 6312ZZD2C3 |
| 22 | Suction Cover | 1 | Gray Iron Casting | 53 | Motor Protector | 3 | |
| 23 | Strainer Stand | 1 | Carbon Steel Pipe & Structure Steel | 54 | Shaft | 1 | Chromium Molybdenum Steel |
| 24A | Stirrer | 1 | Chromium Iron Casting | 55 | Rotor | 1 | |
| 24B | Connecting Rod | 1 | Malleable Iron Casting (Hardened) | 56 | Stator | 1 | |
| 25 | Mechanical Seal | 1 | H-50 | 60 | Bearing Housing | 1 | Gray Iron Casting |
| 26 | Oil Seal | 1 | TC608212 | 64 | Motor Frame | 1 | Gray Iron Casting |
| 29 | Oil Casing | 1 | Gray Iron Casting | 65 | Outer Cover | 1 | Carbon Steel Pipe |
| 30 | Oil Lifter | 1 | Plastic | 71 | Shaft Sleeve | 1 | Stainless Steel 403 |
| 32 | Hose Coupling | 1 | Gray Iron Casting | 72 | Eye Bolt | 2 | Structure Steel |
| 33 | Suction Plate | 1 | Chromium Iron Casting | 90 | Leakage Sensor Electrode | 1 | Stainless Steel |
| 35 | Oil Plug | 2 | Stainless Steel 304 | 217 | Fixing Plate | 1 | Gray Iron Casting |
| 36 | Lubricant | | Turbin Oil (ISO VG32) | | | | |