

SPECIFICATIONS	Model	GSZ5-37-6							
		GSZ-6-series 37kW, 3-phase							
<p><b>Type of Pump</b> Submersible high volume slurry pump for construction and foundation works, mining, and quarries, etc.</p> <p><b>Type of Fluid</b> Water containing sand, mud, and slurry</p> <p>Temperature: 0 to 40°C</p> <p><b>Discharge Bore &amp; Connection</b> 200mm, JIS 10kg/cm<sup>2</sup> Screwed Flange</p> <p><b>Motor Output</b> 37kW</p> <p><b>Power Supply</b> Three-phase</p> <p><b>Starting Method</b> Star-Delta</p> <p><b>Motor</b> Continuous-duty rated, dry-type induction motor</p> <p>Insulation Class: F Degree of Protection: IP68</p> <p>No. of Poles &amp; Speed (Synchronous Speed) 6-pole, 1000/1200min<sup>-1</sup> (50/60Hz)</p> <p>Power Supply Voltages &amp; Rated Currents</p> <table border="0"> <tr> <td>50Hz</td> <td>60Hz</td> </tr> <tr> <td>380V – 81A</td> <td>220V – 139A</td> </tr> <tr> <td>400V – 79A</td> <td>380V – 80A</td> </tr> <tr> <td>415V – 79A</td> <td>440V – 70A</td> </tr> </table> <p><b>Power Cable</b> Sheath: Chloroprene rubber Standard Length: 10m 200 to 600V supply: 1 x 4 x 22mm<sup>2</sup>, O.D. 31.6mm 1 x 3 x 22mm<sup>2</sup>, O.D. 27.1mm 1 x 2 x 1.25mm<sup>2</sup>, O.D. 9.6mm</p> <p><b>Dry Weight</b> (excluding cable) 835kg</p>	50Hz	60Hz	380V – 81A	220V – 139A	400V – 79A	380V – 80A	415V – 79A	440V – 70A	<p><b>Impeller</b> Semi-open Impeller made of high-chromium cast iron</p> <p>Solids Passage 50Hz – <math>\phi</math>50mm 60Hz – <math>\phi</math>50mm</p> <p><b>Suction Plate</b> Made of high-chromium cast iron, excellent in abrasion-resistance</p> <p><b>Cable Entry with Anti-Wicking Block</b> Watertight cable entry with strain-relief device. The anti-wicking block prevents water incursion due to capillary action should the power cable be damaged or the end submerged.</p> <p><b>Bearing</b> Permanently lubricated, deep-groove, double-shielded C3 ball bearings</p> <p><b>Shaft</b> 420 stainless steel</p> <p><b>Shaft Seal (Mechanical Seal)</b> Furnished with a double-face mechanical seal located in oil chamber. Both upper and lower seal faces always run in a clean environment.</p> <p>Upper Seal Face: SiC + SiC Lower Seal Face: SiC + SiC</p> <p><b>Oil Seal (Lip Seal)</b> Used as a “Dust Seal”; it protects the mechanical seal from abrasive particles.</p> <p><b>OIL LIFTER (Patented)</b> Equipped in oil chamber. It forcibly supplies lubricating oil to the mechanical seal and continues to supply the oil to the upper seal faces even if lubricant falls below the rated volume.</p> <p>Type of Lubricating Oil &amp; Volume Turbine Oil (ISO VG32), 9200ml</p> <p><b>Motor Protection Device</b> A miniature thermal protector is embedded in each winding of the motor. Should excessive heat builds up, the bimetal strip opens to cause the control panel to shut the power supply.</p>
50Hz	60Hz								
380V – 81A	220V – 139A								
400V – 79A	380V – 80A								
415V – 79A	440V – 70A								

NO. A-16565-1

# PUMP PERFORMANCE CURVES

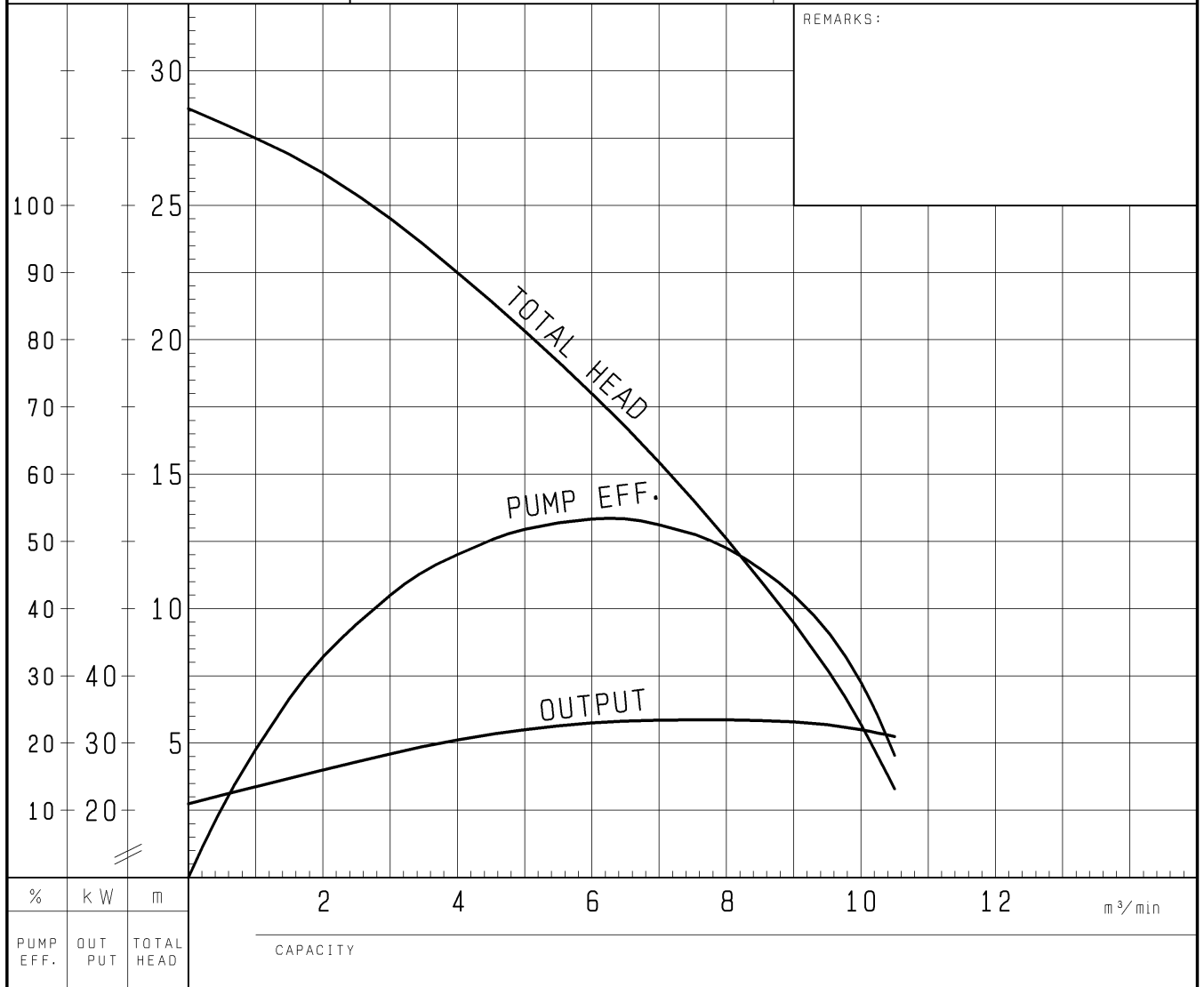
TYPE Submersible Sand Pump	MODEL GSZ5-37-6	FREQUENCY 50 Hz
----------------------------	-----------------	-----------------

CUSTOMER'S NAME \_\_\_\_\_

EQUIPMENT TITLE \_\_\_\_\_

NO. \_\_\_\_\_

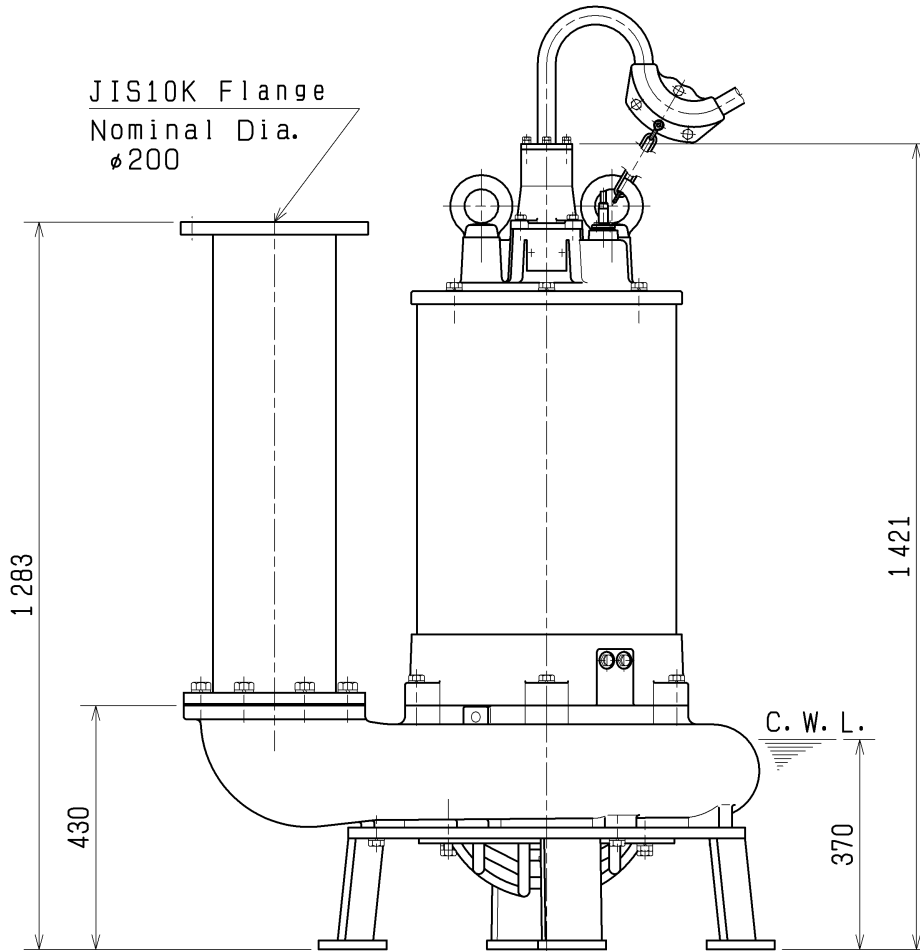
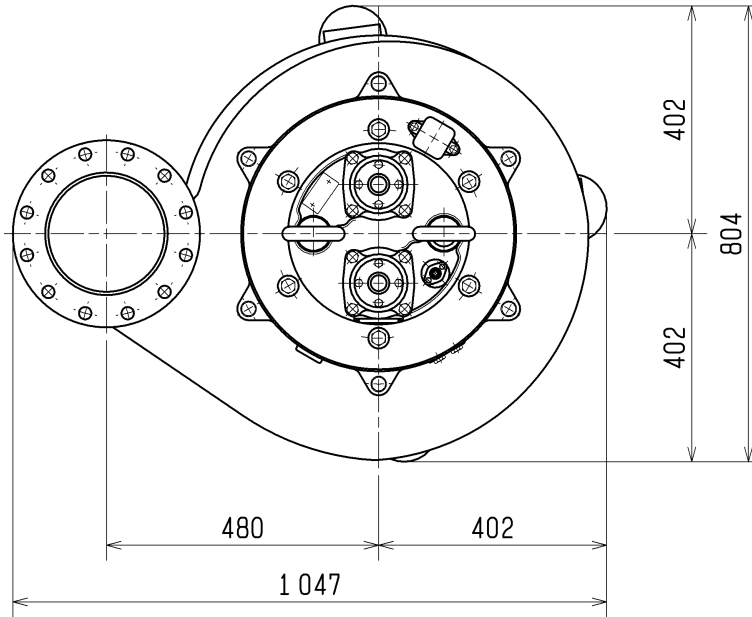
	STANDARD SPECIFICATIONS	REQUIRED SPECIFICATIONS
DISCHARGE BORE	200 mm	mm
TOTAL HEAD	20 m	m
CAPACITY	5 m <sup>3</sup> /min	m <sup>3</sup> /min
MOTOR OUTPUT	37 kW	kW
PHASE x VOLTAGE	3 $\phi$ x V	$\phi$ x V
CURRENT	A	A
POLES / REVOLUTION	6 P / s. s. 1000 min <sup>-1</sup>	P / min <sup>-1</sup>
STARTING METHOD	STAR-DELTA	
INSULATION CLASS	F	



TSURUMI MFG. CO., LTD.

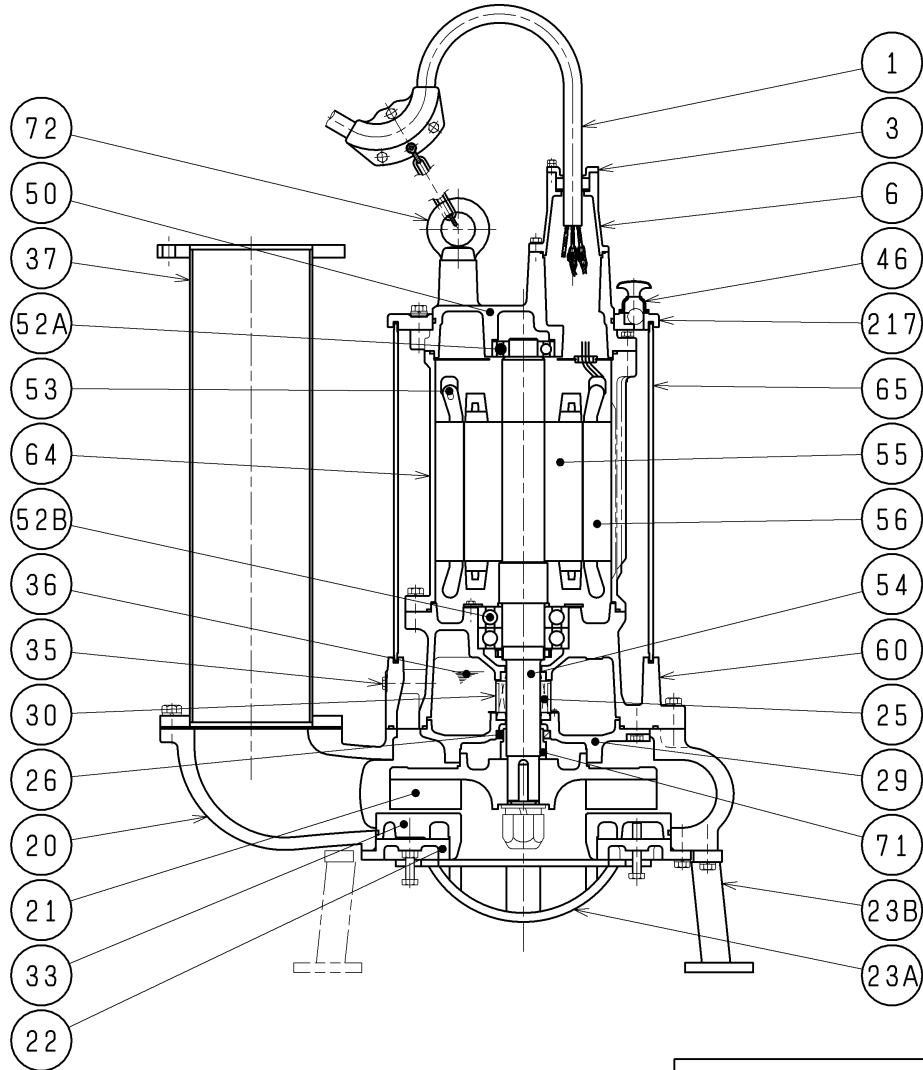
DIMENSION DRAWING		No.	No.	A-19309-3
TYPE	Submersible Slurry Pump	MODEL	GSZ5-37-6	

Approximate Weight (※)  
835kg  
※excluding cable



C.W.L. : Continuous running Water Level

SECTIONAL DRAWING		No.	No. A-19334-2
TYPE	Submersible Slurry Pump	MODEL	GSZ5-37-6



REQ. SPECIFICATION

No.	DESCRIPTION	QTY	MATERIAL / NOTE	No.	DESCRIPTION	QTY	MATERIAL / NOTE
1	Cabtyre Cable	2	Chloroprene Sheath (For the Power)	46	Air Release Valve	1	Steel Plate
		1	PVC Sheath (For the Control)	50	Motor Bracket	1	Gray Iron Casting
3	Gland	2	Gray Iron Casting	52A	Upper Bearing	1	6310ZZC3
6	Stuffing Box	2	Gray Iron Casting	52B	Lower Bearing	1	6315ZZD2C3
20	Pump Casing	1	Gray Iron Casting	53	Motor Protector	3	
21	Impeller	1	Chromium Iron Casting	54	Shaft	1	Stainless Steel 420J2
22	Suction Cover	1	Gray Iron Casting	55	Rotor	1	
23A	Strainer	1	Ductile Iron Casting	56	Stator	1	
23B	Stand	1	Structure Steel	60	Bearing Housing	1	Gray Iron Casting
25	Mechanical Seal	1	H-60	64	Motor Frame	1	Gray Iron Casting
26	Oil Seal	1	TC709513	65	Outer Cover	1	Carbon Steel Pipe
29	Oil Casing	1	Gray Iron Casting	71	Shaft Sleeve	1	Stainless Steel 403
30	Oil Lifter	1	Steel Plate	72	Eye Bolt	2	Structure Steel
33	Suction Plate	1	Chromium Iron Casting	217	Fixing Plate	1	Gray Iron Casting
35	Oil Plug	2	Stainless Steel 304				
36	Lubricant		Turbine Oil (ISO VG32)				
37	Discharge Pipe	1	Carbon Steel Pipe & Structure Steel				