

SPECIFICATIONS	Model	KRS815							
		KRS-series 15kW, 3-phase							
<p>Type of Pump Submersible high volume drainage pump for construction and foundation works, floodwater drainage, etc.</p> <p>Type of Fluid Stormwater, groundwater, wash water, and sand-carrying water</p> <p>Temperature: 0 to 40°C (High temperature model available on special request)</p> <p>Discharge Bore & Connection 200mm, Hose Coupling</p> <p>Motor Output 15kW</p> <p>Power Supply Three-phase</p> <p>Starting Method Direct on Line (Star-Delta available on special request)</p> <p>Motor Continuous-duty rated, dry-type induction motor</p> <p>Insulation Class: F Degree of Protection: IP68</p> <p>No. of Poles & Speed (Synchronous Speed) 4-pole, 1500/1800min⁻¹ (50/60Hz)</p> <p>Power Supply Voltages & Rated Currents</p> <table border="0"> <tr> <td>50Hz</td> <td>60Hz</td> </tr> <tr> <td>380V – 32.4A</td> <td>220V – 56.2A</td> </tr> <tr> <td>400V – 31.9A</td> <td>380V – 32.5A</td> </tr> <tr> <td>415V – 31.6A</td> <td>440V – 28.1A</td> </tr> </table> <p>Power Cable Sheath: Chloroprene rubber Standard Length: 8m 380 to 600V supply: 1 x 4 x 8mm², O.D. 21.7mm 200 to 240V supply: 1 x 4 x 14mm², O.D. 25.6mm</p> <p>Dry Weight (excluding cable) 240kg</p>	50Hz	60Hz	380V – 32.4A	220V – 56.2A	400V – 31.9A	380V – 32.5A	415V – 31.6A	440V – 28.1A	<p>Impeller Semi-open Impeller made of ductile cast iron</p> <p>Solids Passage 50Hz – ϕ25mm 60Hz – ϕ25mm</p> <p>Cable Entry with Anti-Wicking Block Watertight cable entry with strain-relief device. The anti-wicking block prevents water incursion due to capillary action should the power cable be damaged or the end submerged.</p> <p>Bearing Permanently lubricated, deep-groove, double-shielded C3 ball bearings</p> <p>Shaft 420 stainless steel</p> <p>Shaft Seal (Mechanical Seal) Furnished with a double-face mechanical seal located in oil chamber. Both upper and lower seal faces always run in a clean environment.</p> <p>Upper Seal Face: SiC + SiC Lower Seal Face: SiC + SiC</p> <p>Oil Seal (Lip Seal) Used as a “Dust Seal”; it protects the mechanical seal from abrasive particles.</p> <p>OIL LIFTER (Patented) Equipped in oil chamber. It forcibly supplies lubricating oil to the mechanical seal and continues to supply the oil to the upper seal faces even if lubricant falls below the rated volume.</p> <p>Type of Lubricating Oil & Volume Turbine Oil (ISO VG32), 3200ml</p> <p>Motor Protection Device A circle thermal protector built in the motor housing. Directly cuts the motor circuit if excessive heat builds up or an overcurrent condition occurs in the motor.</p>
50Hz	60Hz								
380V – 32.4A	220V – 56.2A								
400V – 31.9A	380V – 32.5A								
415V – 31.6A	440V – 28.1A								

NO. A-20742-1

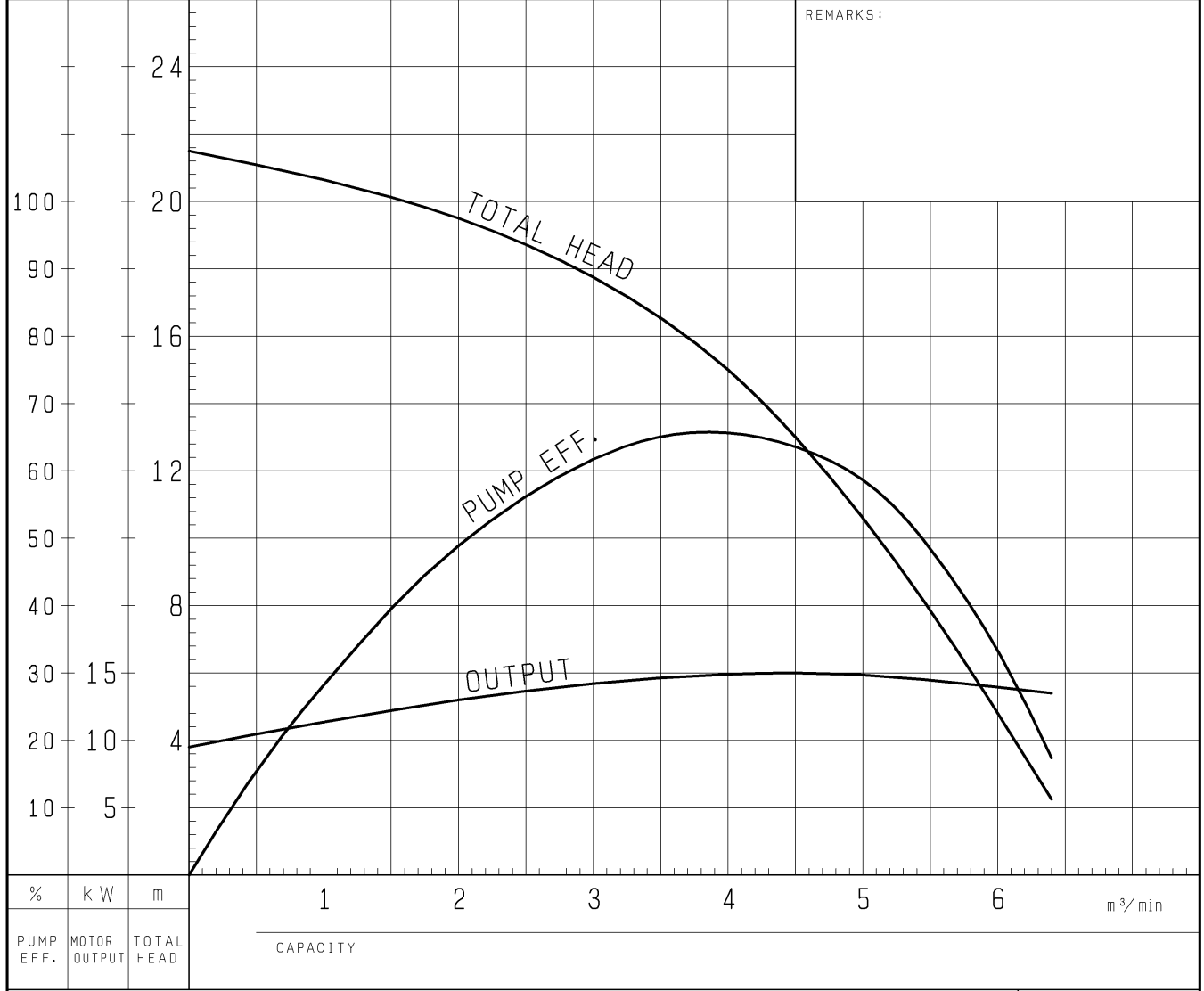
PUMP PERFORMANCE CURVES

TYPE SUBMERSIBLE GENERAL DEWATERING PUMP	MODEL KRS815 -51	FREQUENCY 50 Hz
---	---------------------	--------------------

CUSTOMER'S NAME _____

EQUIPMENT TITLE _____ NO. _____

	STANDARD SPECIFICATIONS	REQUIRED SPECIFICATIONS
DISCHARGE BORE	200 mm	mm
TOTAL HEAD	15 m	m
CAPACITY	4 m ³ /min	m ³ /min
MOTOR OUTPUT	15 kW	kW
PHASE × VOLTAGE	3 φ × V	φ × V
CURRENT	A	A
POLES / REVOLUTION	4 P / S. S. 1500 min ⁻¹	P / min ⁻¹
STARTING METHOD	DIRECT ON LINE	
INSULATION CLASS	F	

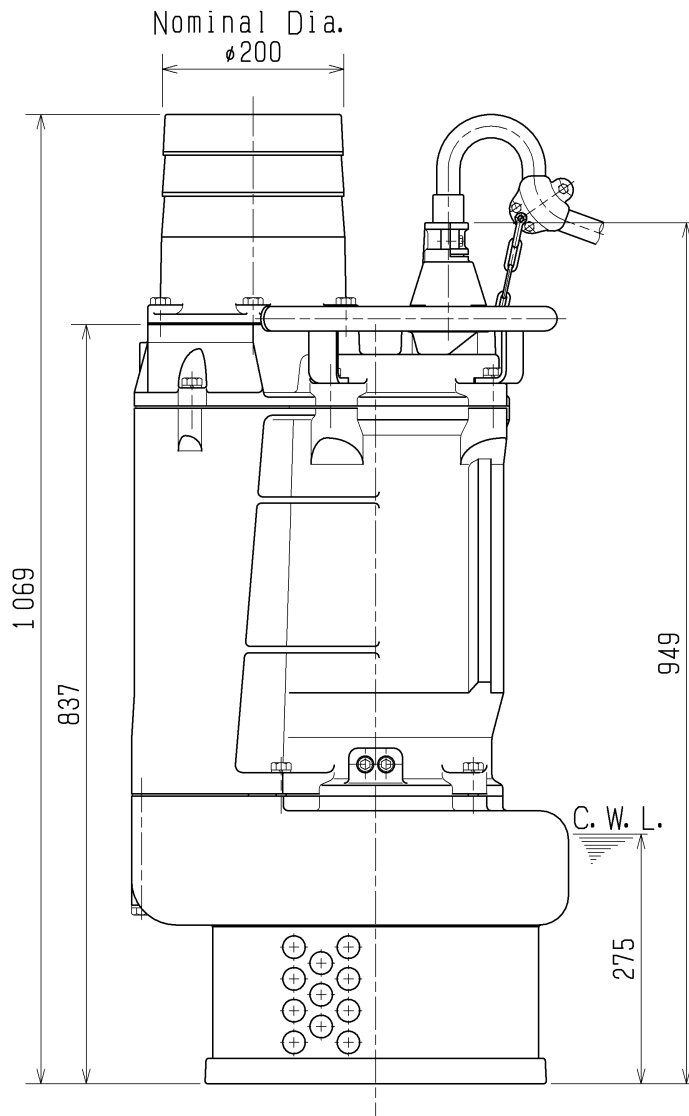
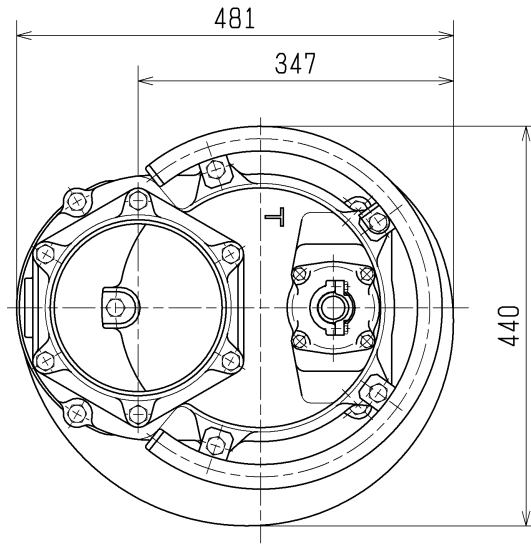


TSURUMI MFG. CO., LTD.

DIMENSION DRAWING		No.	No.	A-20752-1
TYPE	SUBMERSIBLE GENERAL DEWATERING PUMP	MODEL	KRS815 -51/61	

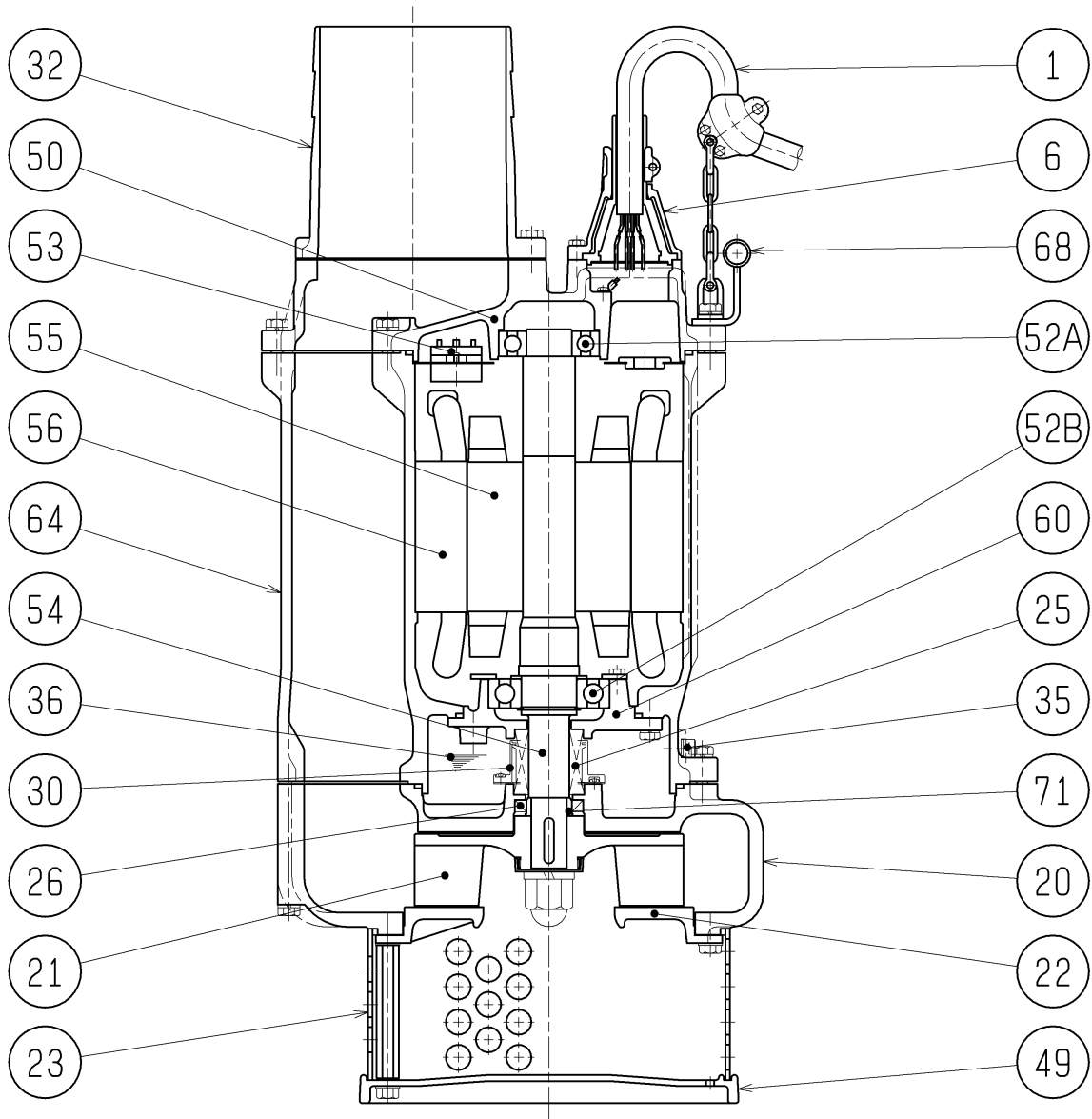
Approximate Weight (※)
240kg

※excluding cable



C. W. L. :Continuous running Water Level

SECTIONAL DRAWING		No.	No. A-20755-2
TYPE	SUBMERSIBLE GENERAL DEWATERING PUMP	MODEL	KRS815 -51/61



REQ. SPECIFICATION

No.	DESCRIPTION	QTY	MATERIAL / NOTE	No.	DESCRIPTION	QTY	MATERIAL / NOTE
1	Cabtyre Cable	1	Chloroprene Sheath	50	Motor Bracket	1	Gray Iron Casting
6	Stuffing Box	1	Gray Iron Casting	52A	Upper Bearing	1	6309ZC3
20	Pump Casing	1	Gray Iron Casting	52B	Lower Bearing	1	6311ZC3
21	Impeller	1	Ductile Iron Casting	53	Motor Protector	1	
22	Suction Cover	1	Gray Iron Casting	54	Shaft	1	Stainless Steel 420J2
23	Strainer	1	Steel Sheet	55	Rotor	1	
25	Mechanical Seal	1	H-40X	56	Stator	1	
26	Oil Seal	1	TC456812	60	Bearing Housing	1	Gray Iron Casting
30	Oil Lifter	1	Plastic	64	Motor Flame	1	Gray Iron Casting
32	Hose Coupling	1	Gray Iron Casting	68	Handle	1	Carbon Steel Pipe & Structure Steel
35	Oil Plug	2	Stainless Steel 304	71	Shaft Sleeve	1	Stainless Steel 403
36	Lubricant		Turbine Oil (ISO VG32)				
49	Bottom Plate	1	Malleable Iron Casting				