

SPECIFICATIONS	Model	KRS819							
		KRS-series							
		18.5kW, 3-phase							
<p>Type of Pump Submersible high volume drainage pump for construction and foundation works, floodwater drainage, etc.</p> <p>Type of Fluid Stormwater, groundwater, wash water, and sand-carrying water</p> <p>Temperature: 0 to 40°C (High temperature model available on special request)</p> <p>Discharge Bore & Connection 200mm, Hose Coupling</p> <p>Motor Output 18.5kW</p> <p>Power Supply Three-phase</p> <p>Starting Method Direct on Line (Star-Delta available on special request)</p> <p>Motor Continuous-duty rated, dry-type induction motor</p> <p>Insulation Class: F Degree of Protection: IP68</p> <p>No. of Poles & Speed (Synchronous Speed) 4-pole, 1500/1800min⁻¹ (50/60Hz)</p> <p>Power Supply Voltages & Rated Currents</p> <table border="0"> <tr> <td>50Hz</td> <td>60Hz</td> </tr> <tr> <td>380V – 37.0A</td> <td>220V – 69.0A</td> </tr> <tr> <td>400V – 35.5A</td> <td>380V – 40.0A</td> </tr> <tr> <td>415V – 35.0A</td> <td>440V – 34.5A</td> </tr> </table> <p>Power Cable Sheath: Chloroprene rubber Standard Length: 10m 380 to 600V supply: 1 x 4 x 14mm², O.D. 25.6mm 200 to 240V supply: 1 x 4 x 22mm², O.D. 31.6mm</p> <p>Dry Weight (excluding cable) 360kg</p>	50Hz	60Hz	380V – 37.0A	220V – 69.0A	400V – 35.5A	380V – 40.0A	415V – 35.0A	440V – 34.5A	<p>Impeller Semi-open Impeller made of ductile cast iron</p> <p>Solids Passage 50Hz – ϕ25mm 60Hz – ϕ25mm</p> <p>Cable Entry with Anti-Wicking Block Watertight cable entry with strain-relief device. The anti-wicking block prevents water incursion due to capillary action should the power cable be damaged or the end submerged.</p> <p>Bearing Permanently lubricated, deep-groove, double-shielded C3 ball bearings</p> <p>Shaft 420 stainless steel</p> <p>Shaft Seal (Mechanical Seal) Furnished with a double-face mechanical seal located in oil chamber. Both upper and lower seal faces always run in a clean environment.</p> <p>Upper Seal Face: SiC + SiC Lower Seal Face: SiC + SiC</p> <p>Oil Seal (Lip Seal) Used as a “Dust Seal”; it protects the mechanical seal from abrasive particles.</p> <p>OIL LIFTER (Patented) Equipped in oil chamber. It forcibly supplies lubricating oil to the mechanical seal and continues to supply the oil to the upper seal faces even if lubricant falls below the rated volume.</p> <p>Type of Lubricating Oil & Volume Turbine Oil (ISO VG32), 6500ml</p> <p>Motor Protection Device A circle thermal protector built in the motor housing. Directly cuts the motor circuit if excessive heat builds up or an overcurrent condition occurs in the motor.</p>
50Hz	60Hz								
380V – 37.0A	220V – 69.0A								
400V – 35.5A	380V – 40.0A								
415V – 35.0A	440V – 34.5A								

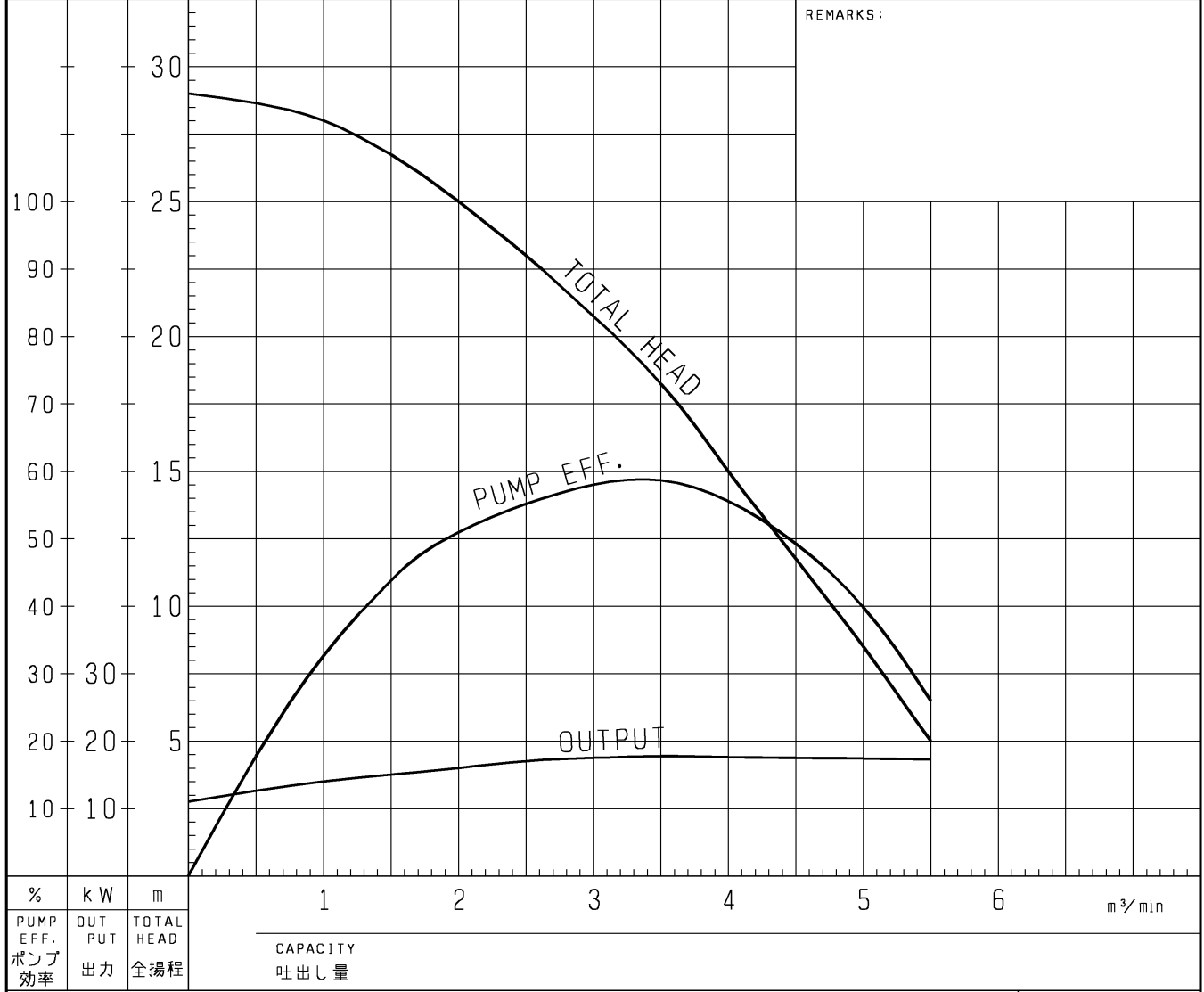
NO. 図番 A-04030-1

性能曲線図 PUMP PERFORMANCE CURVES

TYPE SUBMERSIBLE GENERAL DEWATERING PUMP MODEL KRS819-51 FREQUENCY 50 Hz
 名称 一般工事排水用 水中ポンプ 型式 周波数

CUSTOMER'S NAME 御注文先 殿
 EQUIPMENT TITLE 機器名称 NO.

	標準仕様 STANDARD SPECIFICATIONS	御注文仕様 REQUIRED SPECIFICATIONS
口径 : DISCHARGE BORE	200 mm	mm
全揚程 : TOTAL HEAD	20 / 15 m	m
吐出し量 : CAPACITY	3 / 4 m ³ /min	m ³ /min
出力 : MOTOR OUTPUT	18.5 kW	kW
相×電圧 : PHASE × VOLTAGE	3 φ × 200 V	φ × V
電流 : CURRENT	71 A	A
極数: POLES / 回転数: REVOLUTION	4 P / S. S. 1500 min ⁻¹	P / min ⁻¹
始動方式 : STARTING METHOD	じか入始動 DIRECT ON LINE	
絶縁階級 : INSULATION CLASS	F	

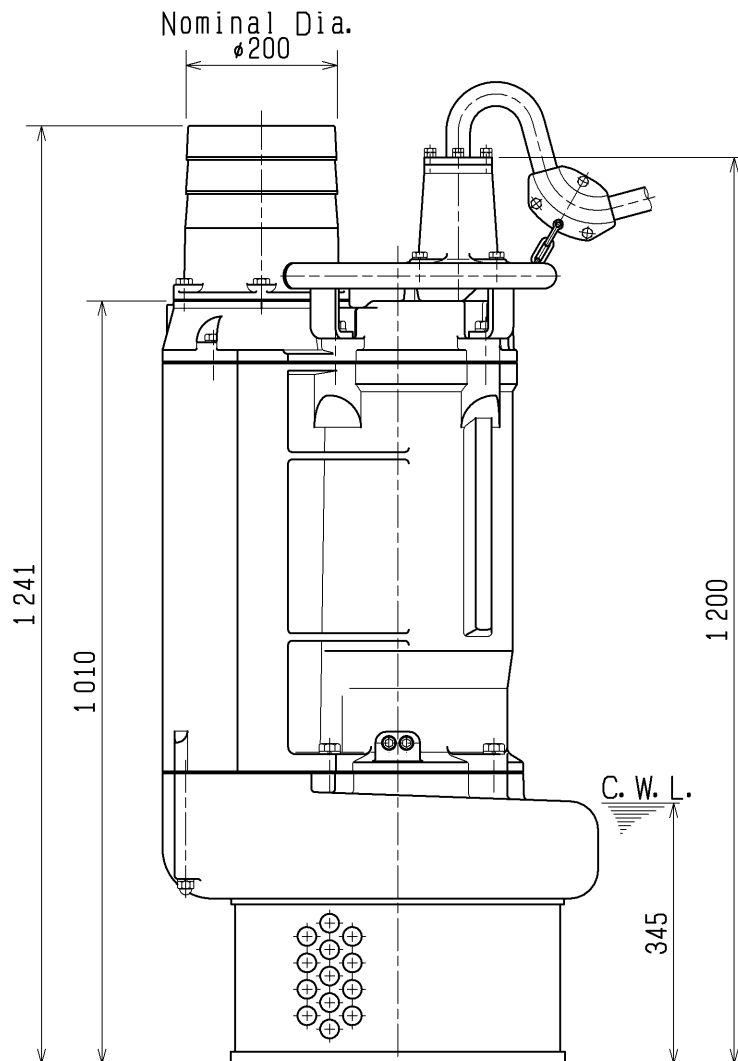
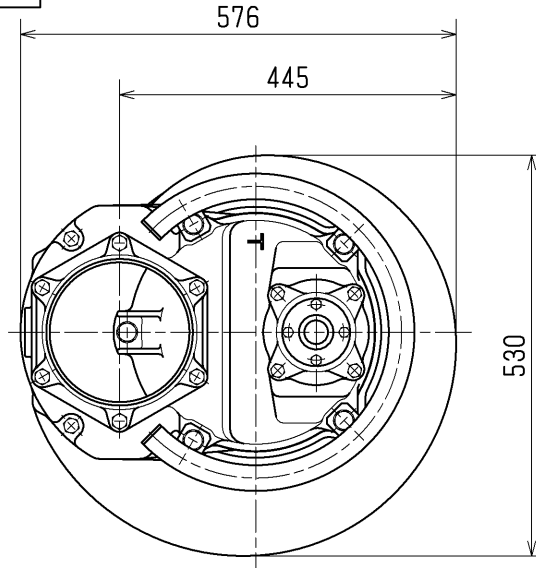


株式会社 鶴見製作所 TSURUMI MFG. CO., LTD.

DIMENSION DRAWING		No.	No.	A-20753-1
TYPE	SUBMERSIBLE GENERAL DEWATERING PUMP	MODEL	KRS819 -51/61 KRS822 -51/61 KRS822L -51/61	

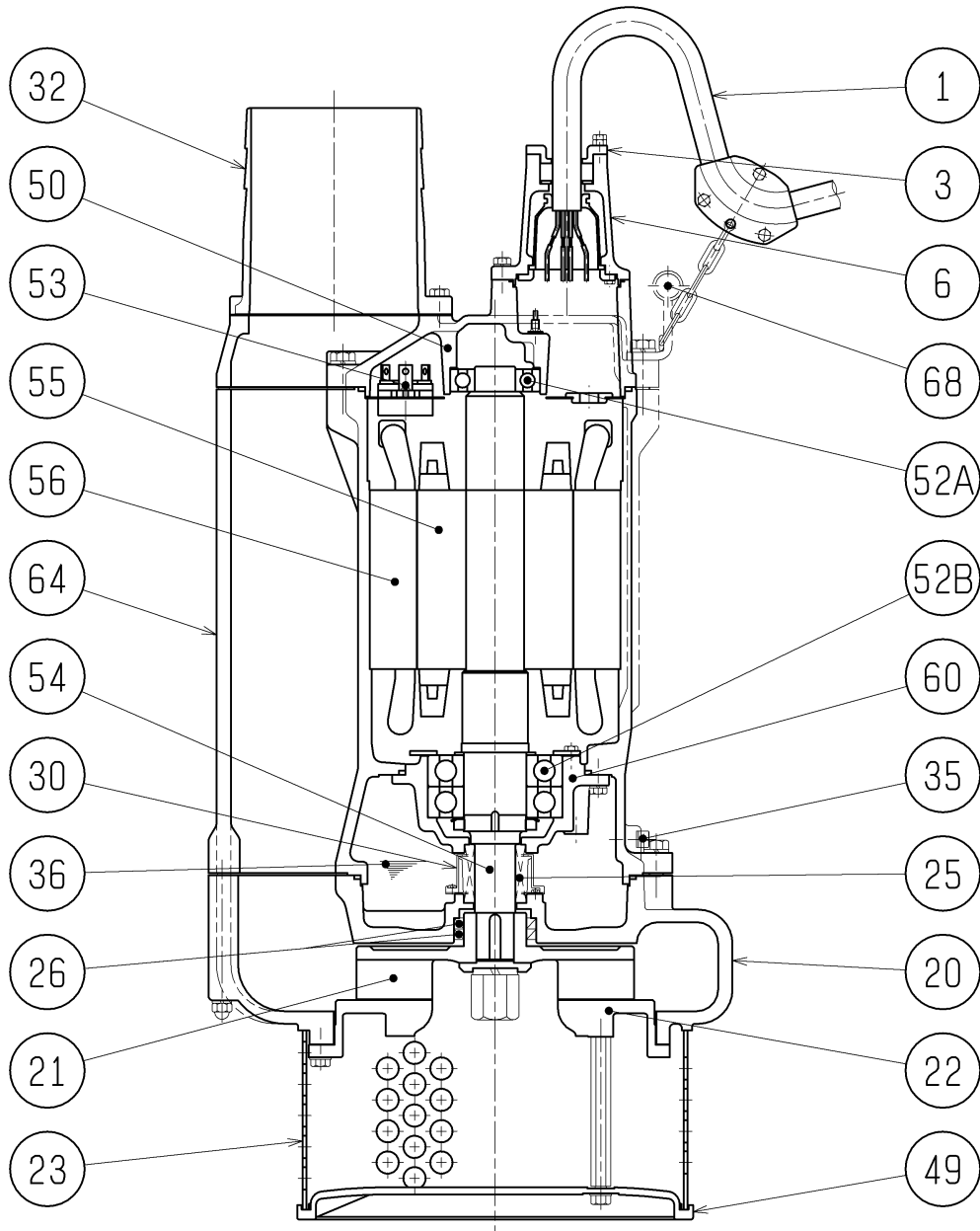
MODEL	Approximate Weight (※)
KRS819-51/61	360kg
KRS822-51/61	380kg
KRS822L-51/61	380kg

※excluding cable



C. W. L. :Continuous running Water Level

SECTIONAL DRAWING		No.	No. A-20756-2
TYPE	SUBMERSIBLE GENERAL DEWATERING PUMP	MODEL	KRS819 -51/61 KRS822 -51/61 KRS822L -51/61



REQ. SPECIFICATION

No.	DESCRIPTION	Q'TY	MATERIAL / NOTE	No.	DESCRIPTION	Q'TY	MATERIAL / NOTE
1	Cable	1	Chloroprene Sheath	49	Bottom Plate	1	Ductile Iron Casting
3	Gland	1	Gray Iron Casting	50	Motor Bracket	1	Gray Iron Casting
6	Stuffing Box	1	Gray Iron Casting	52A	Upper Bearing	1	6309ZZC3
20	Pump Casing	1	Gray Iron Casting	52B	Lower Bearing	1	6314ZZD2C3
21	Impeller	1	Ductile Iron Casting	53	Motor Protector	1	
22	Suction Cover	1	Gray Iron Casting	54	Shaft	1	Stainless Steel 420J2
23	Strainer	1	Steel Sheet	55	Rotor	1	
25	Mechanical Seal	1	H-45X	56	Stator	1	
26	Oil Seal	2	TC709212	60	Bearing Housing	1	Gray Iron Casting
30	Oil Lifter	1	Plastic	64	Motor Flame	1	Gray Iron Casting
32	Hose Coupling	1	Gray Iron Casting	68	Handle	1	Carbon Steel Pipe & Structure Steel
35	Oil Plug	2	Stainless Steel 304				
36	Lubricant		Turbine Oil (ISO VG32)				