

SPECIFICATIONS	Model KTV2-50	KTV(Slurry)-series							
		2kW, 3-phase							
<p>Type of Pump Submersible slurry pump for construction and foundation works, mining, and quarries, etc.</p> <p>Type of Fluid Water containing sand, mud, and slurry</p> <p>Temperature: 0 to 40°C</p> <p>Discharge Bore & Connection 50mm, Hose Coupling (80mm discharge bore available on special request)</p> <p>Motor Output 2kW</p> <p>Power Supply Three-phase</p> <p>Starting Method Direct on Line</p> <p>Motor Continuous-duty rated, dry-type induction motor</p> <p>Insulation Class: E Degree of Protection: IP68</p> <p>No. of Poles & Speed (Synchronous Speed) 2-pole, 3000/3600min⁻¹ (50/60Hz)</p> <p>Power Supply Voltages & Rated Currents</p> <table border="0"> <tr> <td>50Hz</td> <td>60Hz</td> </tr> <tr> <td>380V – 3.9A</td> <td>220V – 6.6A</td> </tr> <tr> <td>400V – 3.8A</td> <td>380V – 3.8A</td> </tr> <tr> <td>415V – 3.8A</td> <td>440V – 3.3A</td> </tr> </table> <p>Power Cable Sheath: PVC Standard Length: 8m 200 to 600V supply: 1 x 4 x 1.25mm², O.D. 11.1mm</p> <p>Dry Weight (excluding cable) 25kg</p>	50Hz	60Hz	380V – 3.9A	220V – 6.6A	400V – 3.8A	380V – 3.8A	415V – 3.8A	440V – 3.3A	<p>Impeller Vortex impeller designed for “high-gap structure,” made of high-chromium cast iron</p> <p>Solids Passage 50Hz – ϕ8.5mm 60Hz – ϕ8.5mm</p> <p>Agitator Ductile cast iron</p> <p>Cable Entry with Anti-Wicking Block Watertight cable entry with strain-relief device. The anti-wicking block prevents water incursion due to capillary action should the power cable be damaged or the end submerged.</p> <p>Bearing Permanently lubricated, deep-groove, double-shielded C3 ball bearings</p> <p>Shaft 403 stainless steel</p> <p>Shaft Seal (Mechanical Seal) Furnished with a double-face mechanical seal located in oil chamber. Both upper and lower seal faces always run in a clean environment.</p> <p>Upper Seal Face: SiC + SiC Lower Seal Face: SiC + SiC</p> <p>OIL LIFTER (Patented) Equipped in oil chamber. It forcibly supplies lubricating oil to the mechanical seal and continues to supply the oil to the upper seal faces even if lubricant falls below the rated volume.</p> <p>Type of Lubricating Oil & Volume Turbine Oil (ISO VG32), 270ml</p> <p>Motor Protection Device A circle thermal protector built in the motor housing. Directly cuts the motor circuit if excessive heat builds up or an overcurrent condition occurs in the motor.</p>
50Hz	60Hz								
380V – 3.9A	220V – 6.6A								
400V – 3.8A	380V – 3.8A								
415V – 3.8A	440V – 3.3A								
TSURUMI MANUFACTURING CO., LTD.									

NO. A-08170-2

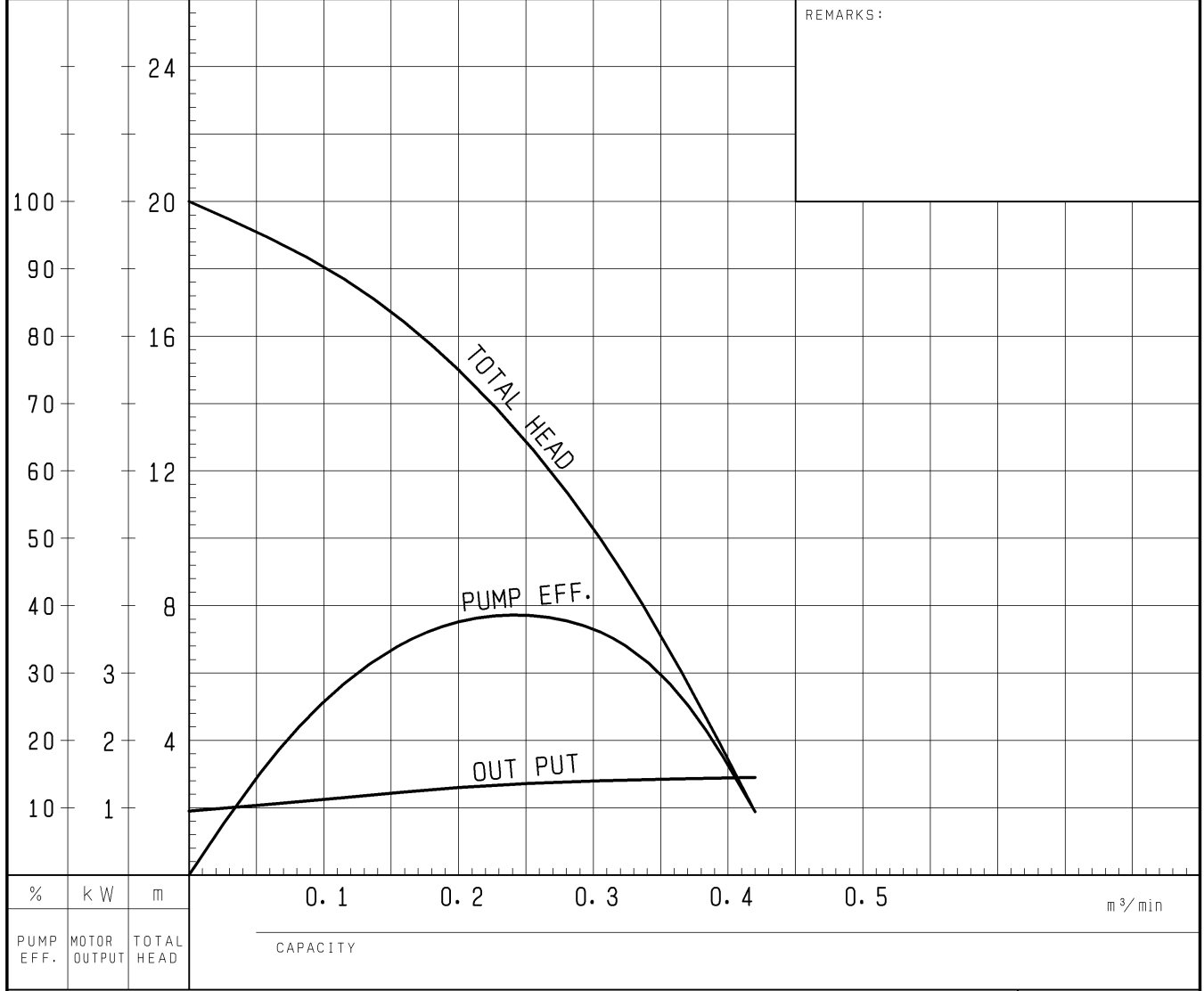
PUMP PERFORMANCE CURVES

TYPE Submersible Slurry Pump	MODEL KTV2-50	FREQUENCY 50 Hz
---------------------------------	------------------	--------------------

CUSTOMER'S NAME _____

EQUIPMENT TITLE _____ NO. _____

	STANDARD SPECIFICATIONS	REQUIRED SPECIFICATIONS
DISCHARGE BORE	50 mm	mm
TOTAL HEAD	12 m	m
CAPACITY	0.25 m ³ /min	m ³ /min
MOTOR OUTPUT	2.0 kW	kW
PHASE x VOLTAGE	3 ϕ x V	ϕ x V
CURRENT	A	A
POLES / REVOLUTION	2 P / S. S. 3000 min ⁻¹	P / min ⁻¹
STARTING METHOD	DIRECT ON LINE	
INSULATION CLASS	E	

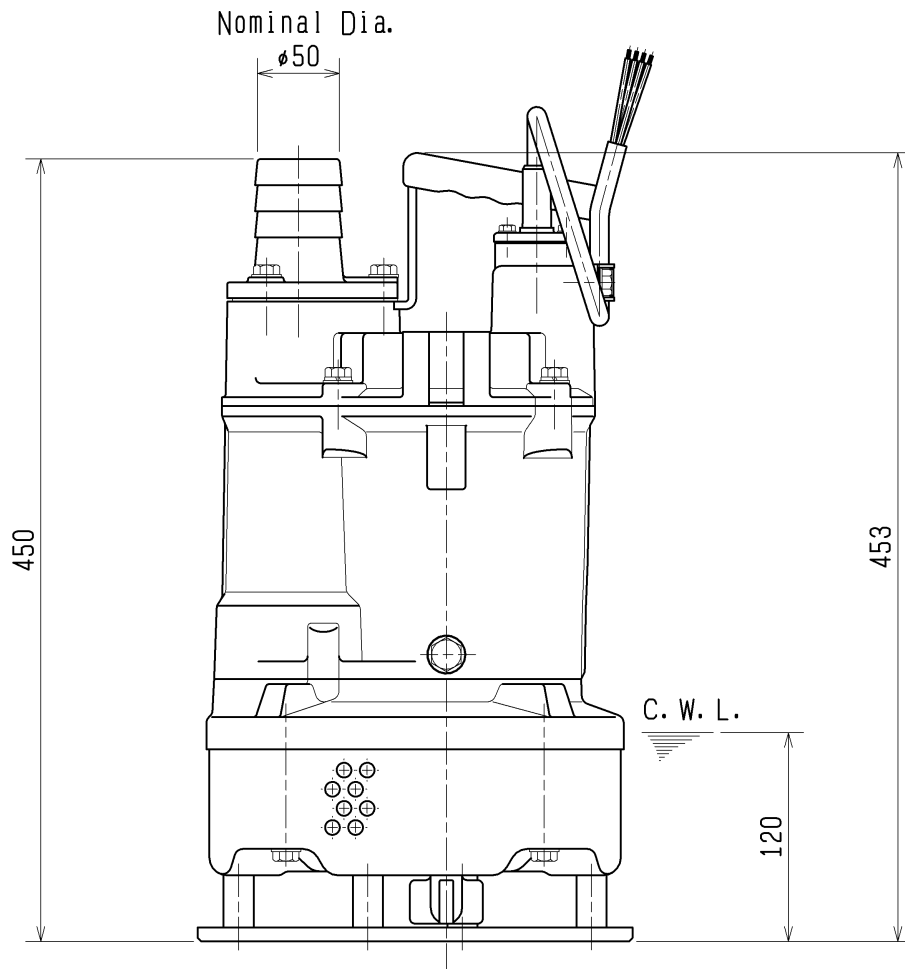
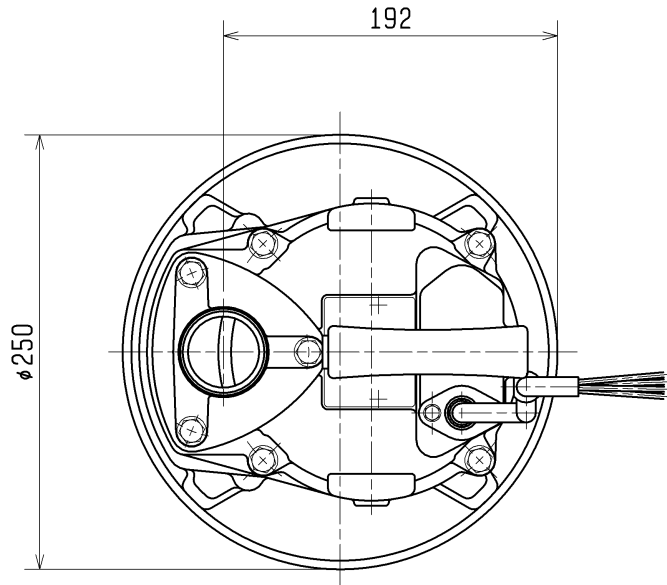


TSURUMI MFG. CO., LTD.

DIMENSION DRAWING		No.	No. A-22072-1
TYPE	Submersible Slurry Pump	MODEL	KTV2-50

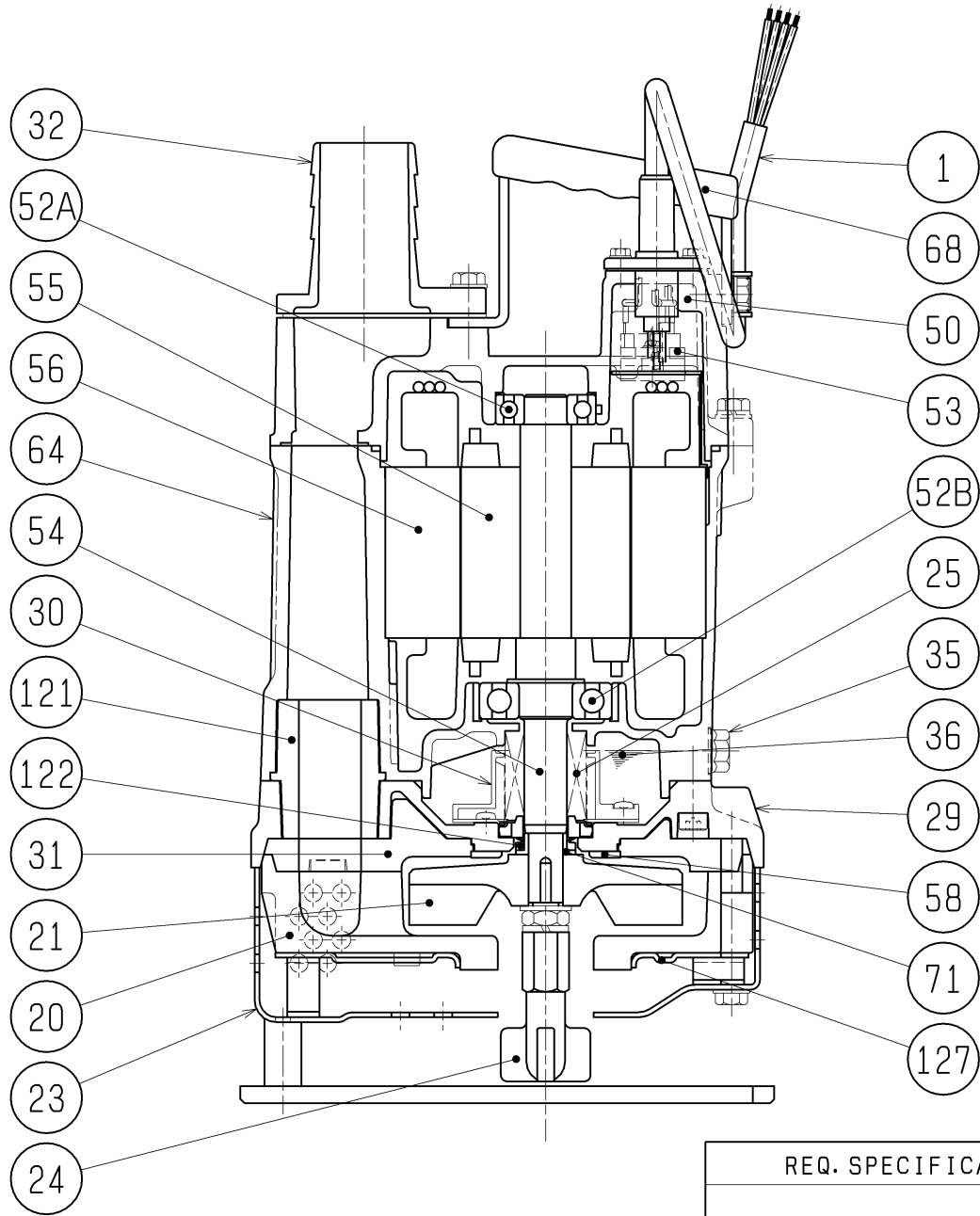
Approximate Weight (※)
25kg

※excluding cable



C. W. L. :Continuous running Water Level

SECTIONAL DRAWING		No.	No. A-22079-1
TYPE	Submersible Slurry Pump	MODEL	KTV2-50



REQ. SPECIFICATION

No.	DESCRIPTION	Q'TY	MATERIAL / NOTE	No.	DESCRIPTION	Q'TY	MATERIAL / NOTE
1	Cabtyre Cable	1	PVC Sheath	52B	Lower Bearing	1	6305ZZC3
20	Pump Casing	1	Butadiene Rubber + Natural Rubber	53	Motor Protector	1	
21	Impeller	1	Chromium Iron Casting	54	Shaft	1	Stainless Steel 403
23	Strainer Stand	1	Steel Sheet & Carbon Steel Pipe	55	Rotor	1	
24	Stirrer	1	Ductile Iron Casting	56	Stator	1	
25	Mechanical Seal	1	H-20T	58	Protection Plate	1	Stainless Steel 304
29	Oil Casing	1	Aluminium Die Casting	64	Motor Frame	1	Aluminium Die Casting
30	Oil Lifter	1	Plastic	68	Handle	1	Steel Sheel & Rubber
31	Rear Liner	1	Butadiene Rubber	71	Shaft Sleeve	1	Stainless Steel 304
32	Hose Coupling	1	Aluminium Die Casting	121	Packing	1	Styrene Butadiene Rubber
35	Oil Plug	1	Stainless Steel 304	122	V-ring	1	Nitrile Butadiene Rubber
36	Lubricant		Turbine Oil (ISO VG32)	127	Fixing Plate	1	Steel Sheet
50	Motor Bracket	1	Aluminium Die Casting				
52A	Upper Bearing	1	6204ZZC3				