

SPECIFICATIONS	Model	50PN2.75							
		PN-series 0.75kW, 3-phase							
<p>Type of Pump Submersible semi-vortex pump made of 304 stainless steel and resin suitable for pumping wastewater and storm water</p> <p>Type of Fluid Wastewater and water carrying small solid matters</p> <p>Temperature: 0 to 40°C</p> <p>Discharge Bore 50mm</p> <p>Motor Output 0.75kW</p> <p>Power Supply Three-phase</p> <p>Starting Method Direct on Line</p> <p>Motor Continuous-duty rated, dry-type induction motor</p> <p>Insulation Class: E Degree of Protection: IP68</p> <p>No. of Poles & Speed (Synchronous Speed) 2-pole, 3000/3600min⁻¹ (50/60Hz)</p> <p>Power Supply Voltages & Rated Currents</p> <table border="0"> <tr> <td>50Hz</td> <td>60Hz</td> </tr> <tr> <td>380V – 2.0A</td> <td>220V – 3.2A</td> </tr> <tr> <td>400V – 1.9A</td> <td>380V – 1.8A</td> </tr> <tr> <td>415V – 1.9A</td> <td>440V – 1.6A</td> </tr> </table> <p>Power Cable Sheath: PVC Standard Length: 6m 200 to 600V supply: 1 × 4 × 1.25mm², O.D. 11.1mm</p> <p>Dry Weight (excluding cable) Standard Model: 8.3kg Auto & Auto-Alternation Model: 9kg</p>	50Hz	60Hz	380V – 2.0A	220V – 3.2A	400V – 1.9A	380V – 1.8A	415V – 1.9A	440V – 1.6A	<p>Impeller Vortex impeller designed for “high-gap structure”, made of glass-fiber reinforced PPO</p> <p>Solids Passage 50Hz – φ10mm 60Hz – φ10mm</p> <p>Cable Entry with Anti-Wicking Block Watertight cable entry with strain-relief device. The anti-wicking block prevents water incursion due to capillary action should the power cable be damaged or the end submerged.</p> <p>Bearings Permanently lubricated, deep-groove, double-shielded C3 ball bearings</p> <p>Shaft 304 stainless steel</p> <p>Shaft Seal (Mechanical Seal) Furnished with a double-face mechanical seal located in oil chamber. Both upper and lower seal faces always run in a clean environment.</p> <p>Upper Seal Faces: Ceramic + Carbon Lower Seal Faces: SiC + Ceramic</p> <p>OIL LIFTER (Patented) Equipped in oil chamber. It forcibly supplies lubricating oil to the mechanical seal and continues to supply the oil to the upper seal faces even if lubricant falls below the rated volume.</p> <p>Type of Lubricating Oil & Volume Liquid Paraffin (ISO VG32), 240ml</p> <p>Motor Protection Device A circle thermal protector built in the motor housing. Directly cuts the motor circuit if excessive heat builds up or an overcurrent condition occurs in the motor.</p>
50Hz	60Hz								
380V – 2.0A	220V – 3.2A								
400V – 1.9A	380V – 1.8A								
415V – 1.9A	440V – 1.6A								
<p>Optional Accessories</p> <p>TOK Set (Guide Rail Fitting Type)</p> <ul style="list-style-type: none"> • Duckfoot Bend • Guide Support • Guide Hook • Lifting Chain 4m (with Shackles) 									
TSURUMI MANUFACTURING CO., LTD.									

NO. A-09961-1

PUMP PERFORMANCE CURVES

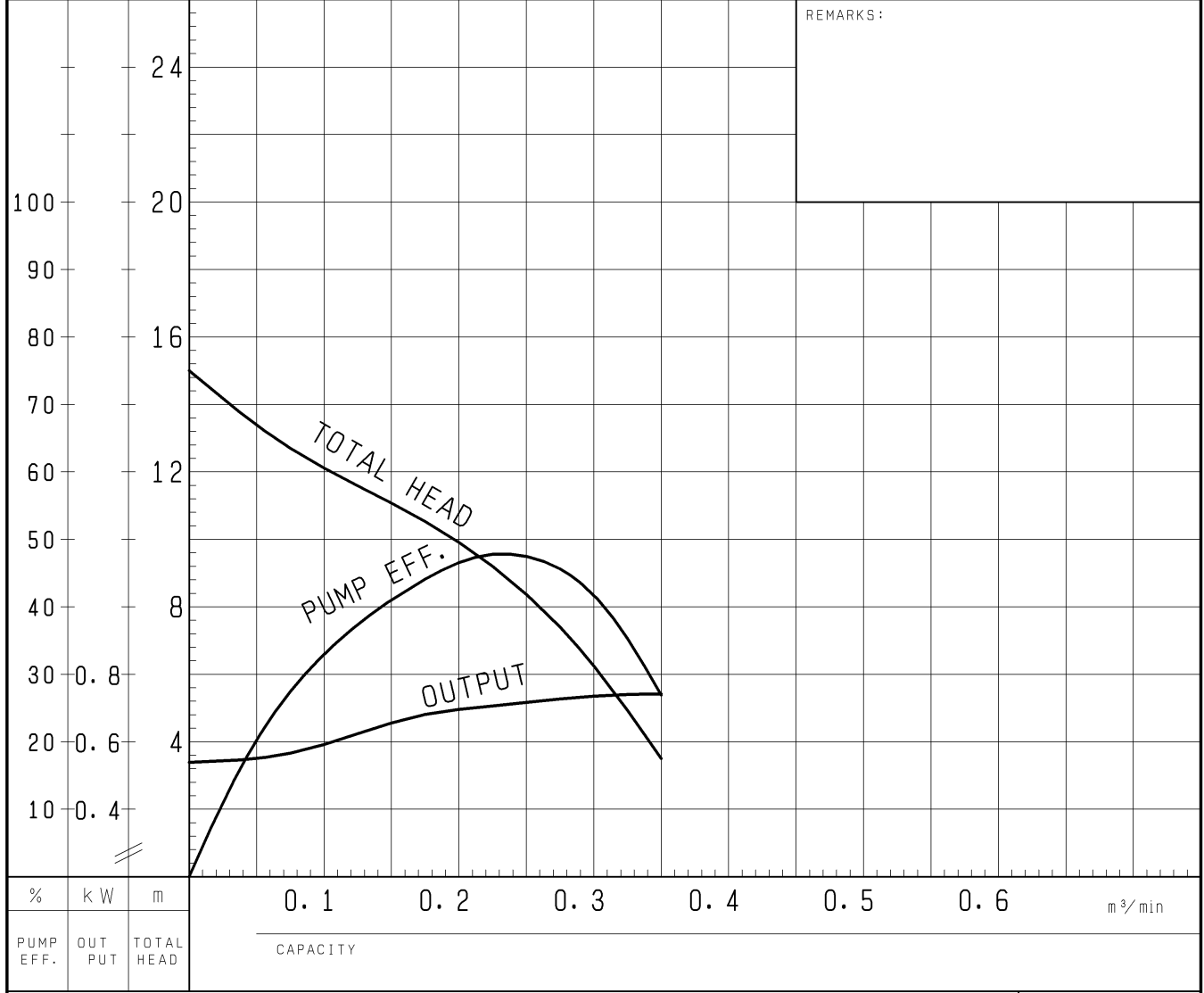
TYPE Waste Water Submersible Vortex Pump	MODEL 50PN2.75 -52, 50PNA2.75 -52 50PNW2.75 -52	FREQUENCY 50 Hz
--	--	--------------------

CUSTOMER'S NAME _____

EQUIPMENT TITLE _____

NO. _____

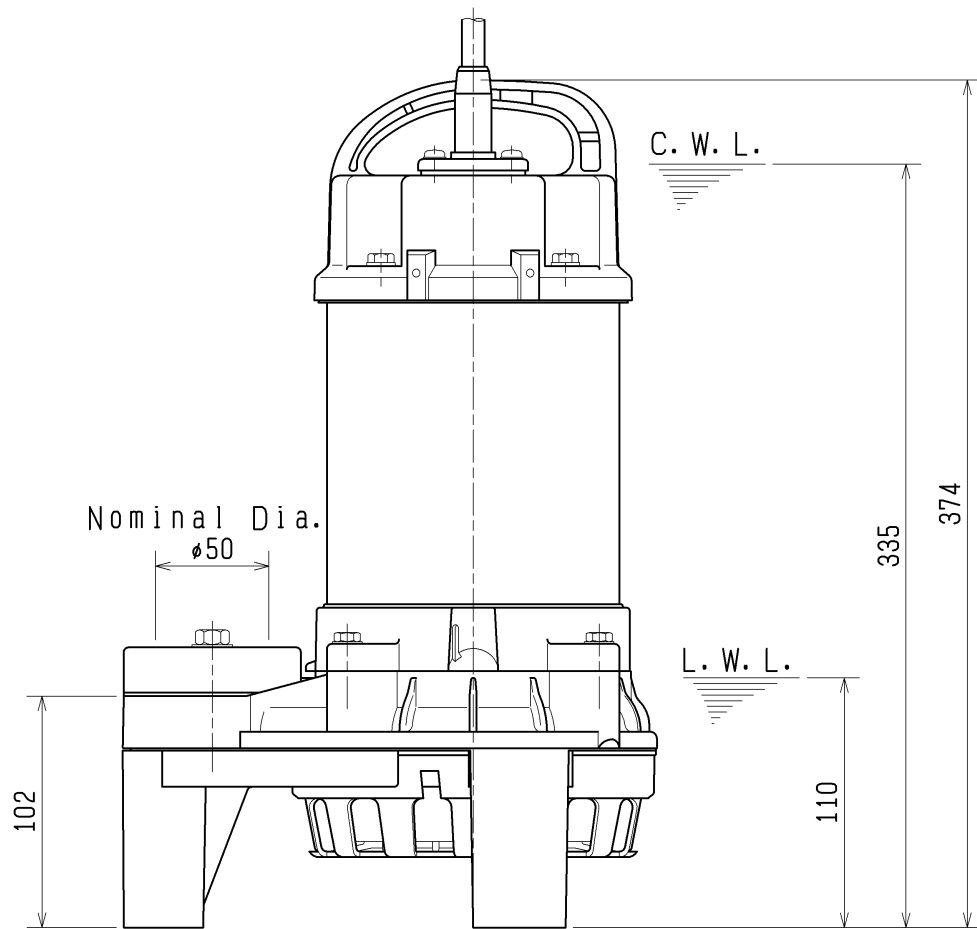
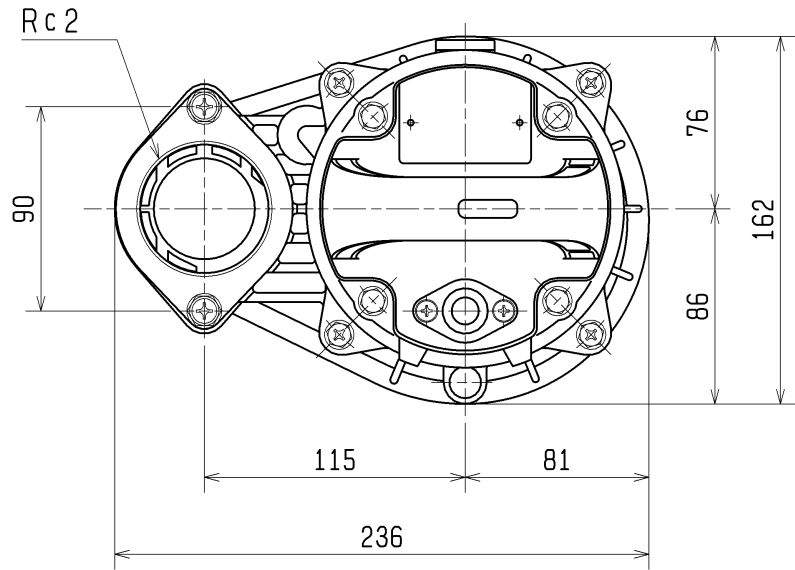
	STANDARD SPECIFICATIONS	REQUIRED SPECIFICATIONS
DISCHARGE BORE	50 mm	mm
TOTAL HEAD	11.5 m	m
CAPACITY	0.13 m ³ /min	m ³ /min
MOTOR OUTPUT	0.75 kW	kW
PHASE x VOLTAGE	3 φ × V	φ × V
CURRENT	A	A
POLES / REVOLUTION	2 P / S. S. 3000 min ⁻¹	P / min ⁻¹
STARTING METHOD	DIRECT ON LINE	
INSULATION CLASS	E	



TSURUMI MFG. CO., LTD.

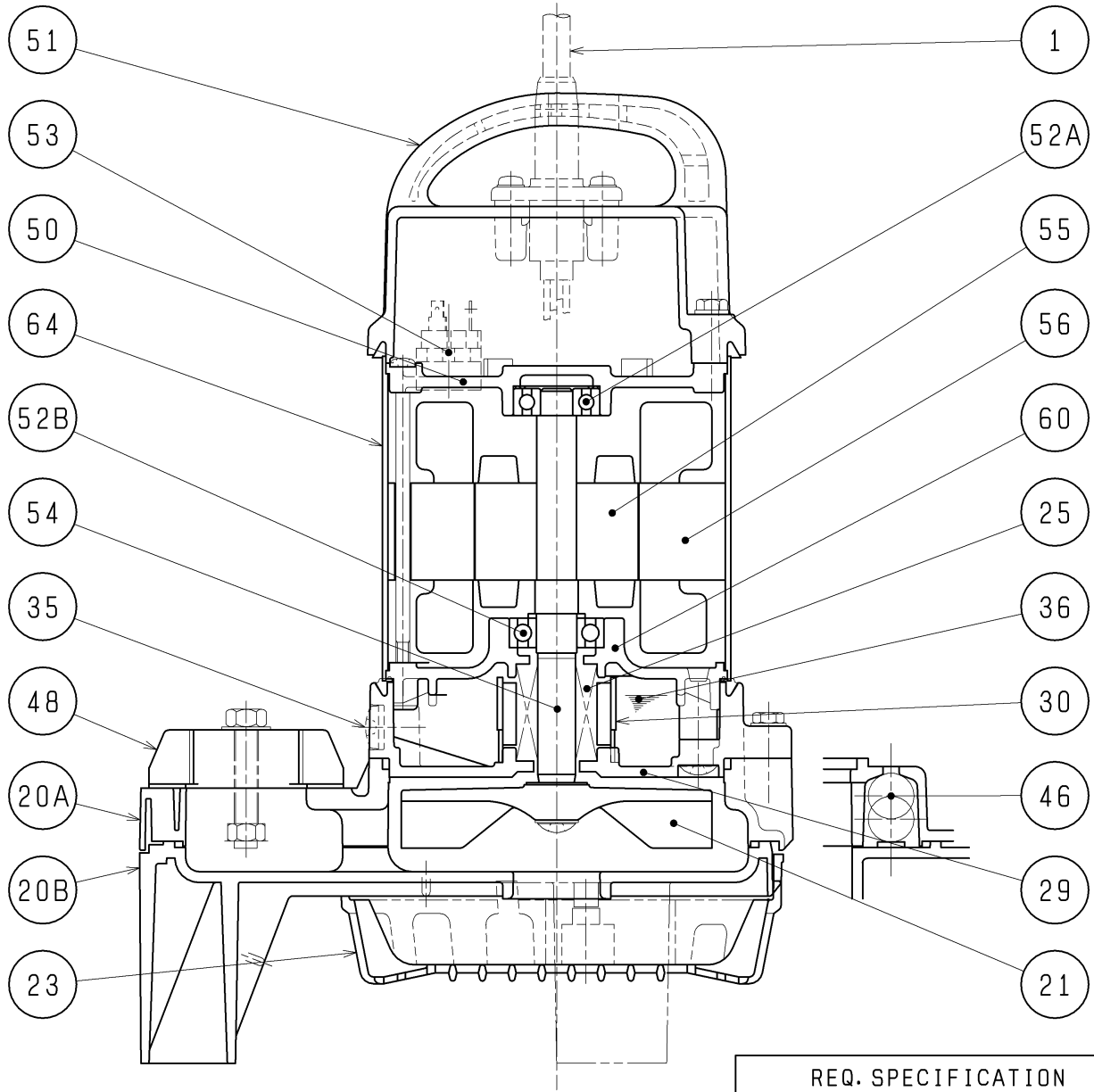
DIMENSION DRAWING		No.	No. A-10001-2
TYPE	Waste Water Submersible Vortex Pump	MODEL	50PN2.75 -52/62

Approximate Weight (※)
8.3kg
※excluding cable



C.W.L.: Continuous running Water Level
L.W.L.: Lowest running Water Level

SECTIONAL DRAWING		No.	No. A-10028-3
TYPE	Waste Water Submersible Vortex Pump	MODEL	40PN2.25 -52/62, 50PN2.4 -52/62 50PN2.75 -52/62



REQ. SPECIFICATION

* Upper and lower blocks form a one-piece casing.

No.	DESCRIPTION	Q'TY	MATERIAL / NOTE	No.	DESCRIPTION	Q'TY	MATERIAL / NOTE
1	Cable	1	PVC Sheath	51	Head Cover	1	Plastic W/GF
20A	Upper Pump Casing	*1	Plastic W/GF	52A	Upper Bearing	1	6201ZZC3
20B	Lower Pump Casing		Plastic	52B	Lower Bearing	1	0.25/0.4kW:6202ZZC3 0.75kW :6302ZZC3
21	Impeller	1	Plastic W/GF				
23	Strainer	1	Plastic				
25	Mechanical Seal	1	W-14HC	53	Motor Protector	1	
29	Oil Casing	1	Plastic W/GF	54	Shaft	1	Stainless Steel 304
30	Oil Lifter	1	Plastic	55	Rotor	1	
35	Oil Plug	1	Stainless Steel 304	56	Stator	1	
36	Lubricant		Liquid Paraffin (ISO VG32)	60	Bearing Housing	1	Aluminium Die Casting
46	Air Release Valve	1	Glass Ball	64	Motor Frame	1	Stainless Steel 304
48	Screwed Flange	1	Plastic W/GF				
50	Motor Bracket	1	Aluminium Die Casting				