



Submersible Portable Slurry Dewatering Pump

HSD

Single-phase 550watts

The HSD uses a high-chrome iron casting for the impeller and agitator as it has been designed specifically for draining sand-carrying water in foundation or similar works. This compact dewatering pump also features a 550watts output motor which provides extra margin in its motor output for use in exacting conditions.



Vortex Impeller

The "high-gap" structure" minimizes impeller lock caused by sand building up in the pump. Also, the high-chrome iron casting is highly resistant to wear.



Agitator

The high-chrome iron cast agitator makes sure that sand-carrying water is powerfully stirred.



Easy Maintenance

The pump section can be disassembled with just a 13 mm wrench, ensuring that maintenance is performed efficiently.



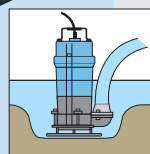
Spiral Casing

This casing is designed to allow sand-carrying water to pass efficiently through the pump.



Stand

Provides a stable attitude for operation on soft ground bases.



Weight: 15 kg
Light, Strong Design

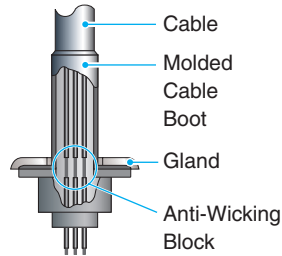
Application

For draining sand and silt laden water in general construction work and building foundation work

■ Features

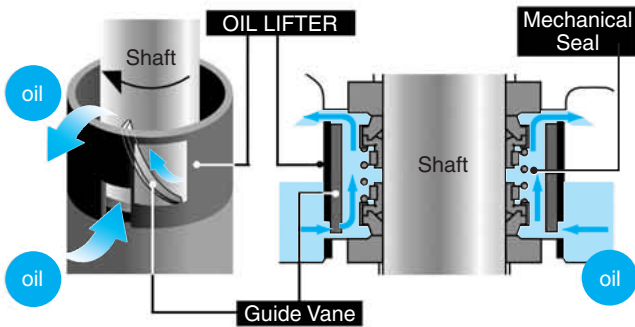
Anti-wicking Block

Gaps between lead cores are sealed to prevent ingress of water into the motor caused by water traveling along lead cores by capillary action.



OIL LIFTER (patent pending)

The OIL LIFTER mechanism functions to supply oil to the top seal faces even if the lubricant in the oil chamber falls below the rated value, and to stably lubricate and cool the seal faces. This unique mechanism helps extend the service life of the mechanical seal.



■ Major Standard Specifications

Item		Discharge bore size mm	50	
Pumping liquid	Type of liquid	Sludge, slurry, liquids containing sand and mud		
	Liquid temperature	0~40°C		
Pump	Components	Impeller	Vortex type (Semi-vortex pump design)	
		Shaft seal	Double mechanical seal	
		Bearing	Double shielded pre-lubricated ball bearing	
	Materials	Impeller	Chromium iron casting	
Casing		Ductile iron casting		
Motor	Type, poles	Dry-type submersible induction motor, 2-pole		
		Insulation		Class E
		Phase/Voltage		Single-phase/110V, 220V, 230V, 240V
	Motor protector (Built-in)	Circle thermal protector		
	Lubricant	Turbine oil (ISO VG32)		
	Materials	Frame	Aluminium die casting	
Shaft		Stainless steel #403		
Cable		PVC Sheath cable (Standard)		
Discharge connection		Hose coupling made of Aluminum (Standard)		

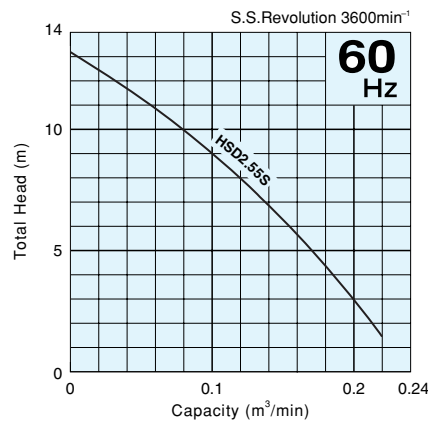
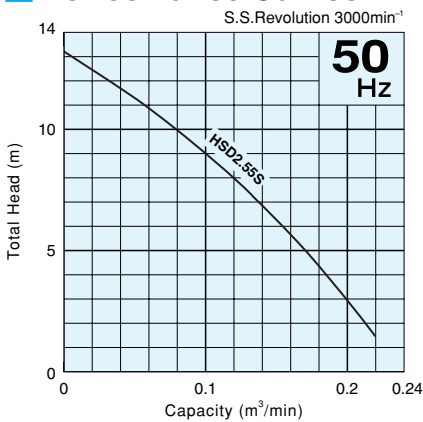
■ Standard Accessories

- Cabtyre cable1pc
- Hose coupling1pc
- Hose band1pc

■ Optional Specifications

- Extended cable
- Special paint

■ Performance Curves

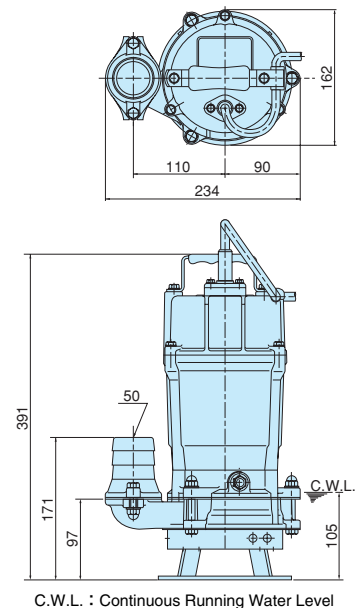


■ Standard Specifications 50/60Hz

Model	Discharge Bore (mm)	Motor Output (kW)	Phase	Max. Head (m)	Max. Flow Rate (m³/min.)	Starting Method	Std. Cable Length (m)	Weight (kg)
HSD2.55S	50	0.55	Single	13.2	0.22	Capacitor Run	5	15

● Dry weight of the pump excluding cable.

■ Dimensions Unit: mm



We reserve the right to change the specifications and designs for improvement without prior notice.

TSURUMI
MANUFACTURING CO.,LTD.

Your Dealer