

SPECIFICATIONS	Model	15-BER3	
		BER-series	
		1.5kW, 3-phase	

<p><b>Type of Equipment</b> Submersible self-aspiration ejector suitable for pre-aeration and mixing in sewage and wastewater treatment</p> <p><b>Type of Fluid</b> Sewage and wastewater</p> <p>Temperature: 0 to 40°C</p> <p><b>Air-inlet Bore</b> 32mm</p> <p><b>Motor Output</b> 1.5kW</p> <p><b>Power Supply</b> Three-phase</p> <p><b>Starting Method</b> Direct on Line</p> <p><b>Motor</b> Continuous-duty rated, dry-type induction motor</p> <p>Insulation Class: F Degree of Protection: IP68</p> <p>No. of Poles &amp; Speed (Synchronous Speed) 2-pole, 3000/3600min<sup>-1</sup> (50/60Hz)</p> <p>Power Supply Voltages &amp; Rated Currents</p> <table border="0"> <tr> <td>50Hz</td> <td>60Hz</td> </tr> <tr> <td>380V – 3.5A</td> <td>220V – 6.0A</td> </tr> <tr> <td>400V – 3.5A</td> <td>380V – 3.4A</td> </tr> <tr> <td>415V – 3.5A</td> <td>440V – 3.2A</td> </tr> </table> <p><b>Power Cable</b> Sheath: PVC Standard Length: 6m 200 to 600V supply: 1 × 4 × 1.25mm<sup>2</sup>, O.D. 11.1mm</p> <p><b>Dry Weight</b> (excluding cable) Free Standing Type: 43kg Guide Rail Fitting Type: 34kg</p>	50Hz	60Hz	380V – 3.5A	220V – 6.0A	400V – 3.5A	380V – 3.4A	415V – 3.5A	440V – 3.2A	<p><b>Impeller</b> Semi-open single-channel impeller for solid-handling design, dynamically balanced</p> <p>Solids Passage 50Hz – <math>\phi</math>20mm 60Hz – <math>\phi</math>20mm</p> <p><b>Cable Entry with Anti-Wicking Block</b> Watertight cable entry with strain-relief device. The anti-wicking block prevents water incursion due to capillary action should the power cable be damaged or the end submerged.</p> <p><b>Bearings</b> Permanently lubricated, deep-groove, double-shielded C3 ball bearings</p> <p><b>Shaft</b> 420 stainless steel</p> <p><b>Shaft Seal (Mechanical Seal)</b> Furnished with a double-face mechanical seal located in oil chamber. Both upper and lower seal faces always run in a clean environment.</p> <p>Upper Seal Faces: Ceramic + Carbon Lower Seal Faces: SiC + SiC</p> <p><b>Oil Seal (Lip Seal)</b> Used as a “Dust Seal”, it protects the mechanical seal from abrasive particles.</p> <p><b>OIL LIFTER (Patented)</b> Equipped in oil chamber. It forcibly supplies lubricating oil to the mechanical seal and continues to supply the oil to the upper seal faces even if lubricant falls below the rated volume.</p> <p>Type of Lubricating Oil &amp; Volume Turbine Oil (ISO VG32), 900ml</p> <p><b>Motor Protection Device</b> A circle thermal protector built in the motor housing. Directly cuts the motor circuit if excessive heat builds up or an overcurrent condition occurs in the motor.</p>
50Hz	60Hz								
380V – 3.5A	220V – 6.0A								
400V – 3.5A	380V – 3.4A								
415V – 3.5A	440V – 3.2A								

### Optional Accessories

**Ejector Set** (Free Standing Type)

- Silencer & Valve Set
- Lifting Chain 5m (with Shackles)
- Suction Casing
- Screwed Flange
- Diffuser
- Diffuser Base

**TOS-Ejector Set** (Guide Rail Fitting Type)

- Silencer & Valve Set
- Lifting Chain 5m (with Shackles)
- Guide Support
- Guide Hook
- Suction Casing
- Screwed Flange
- Diffuser

**External Leakage Sensor**

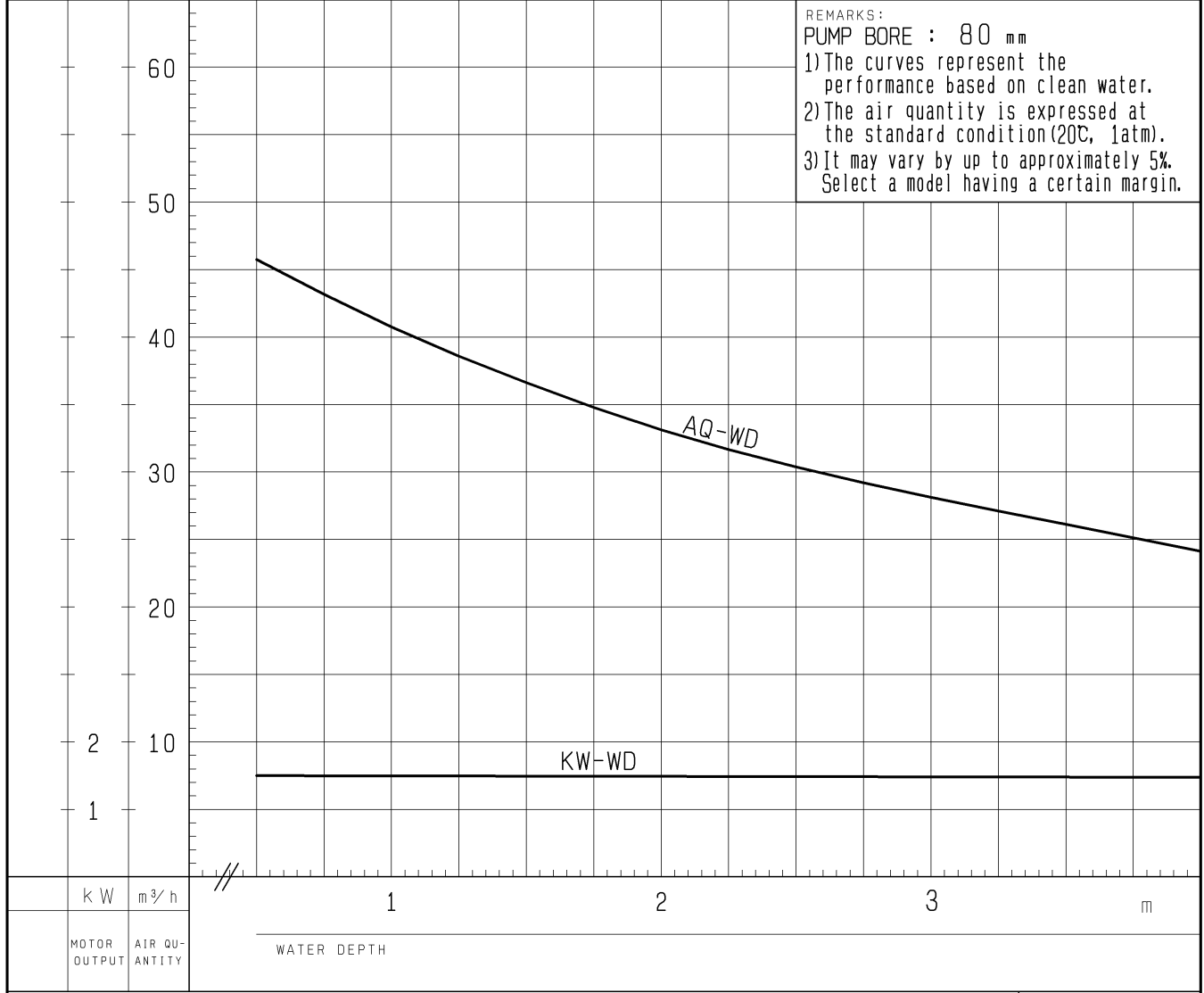
NO. A-11464-2

# AERATOR PERFORMANCE CURVES

TYPE SUBMERSIBLE EJECTOR (AERATOR)      MODEL 15-BER3, TOS-15BER3      FREQUENCY 50 Hz

CUSTOMER'S NAME \_\_\_\_\_  
 EQUIPMENT TITLE \_\_\_\_\_ NO. \_\_\_\_\_

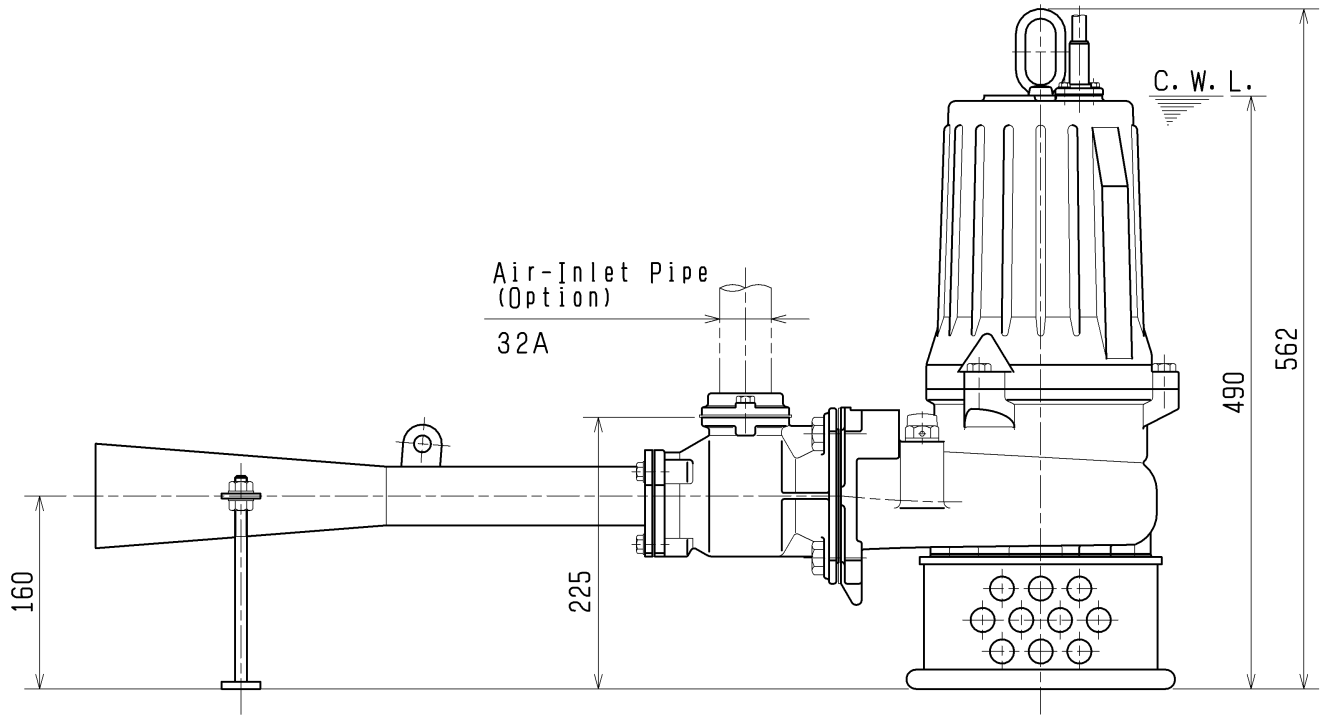
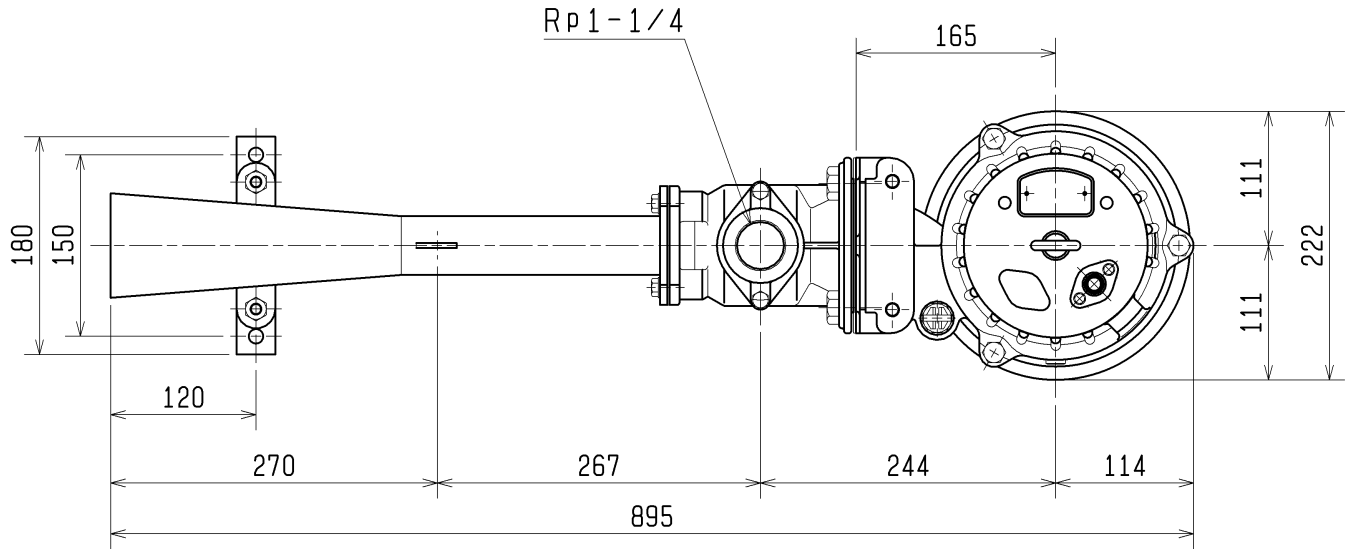
	STANDARD SPECIFICATIONS	REQUIRED SPECIFICATIONS
AIR INLET BORE	32 mm	mm
AIR QUANTITY	at 3 m 28 m <sup>3</sup> /h	at m m <sup>3</sup> /h
WATER DEPTH	Max. 4 m	Max. m
MOTOR OUTPUT	1.5 kW	kW
PHASE x VOLTAGE	3 φ × V	φ × V
CURRENT	A	A
POLES / REVOLUTION	2 P / s. s. 3000 min <sup>-1</sup>	P / min <sup>-1</sup>
STARTING METHOD	DIRECT ON LINE	
INSULATION CLASS	F	



TSURUMI MFG. CO., LTD.

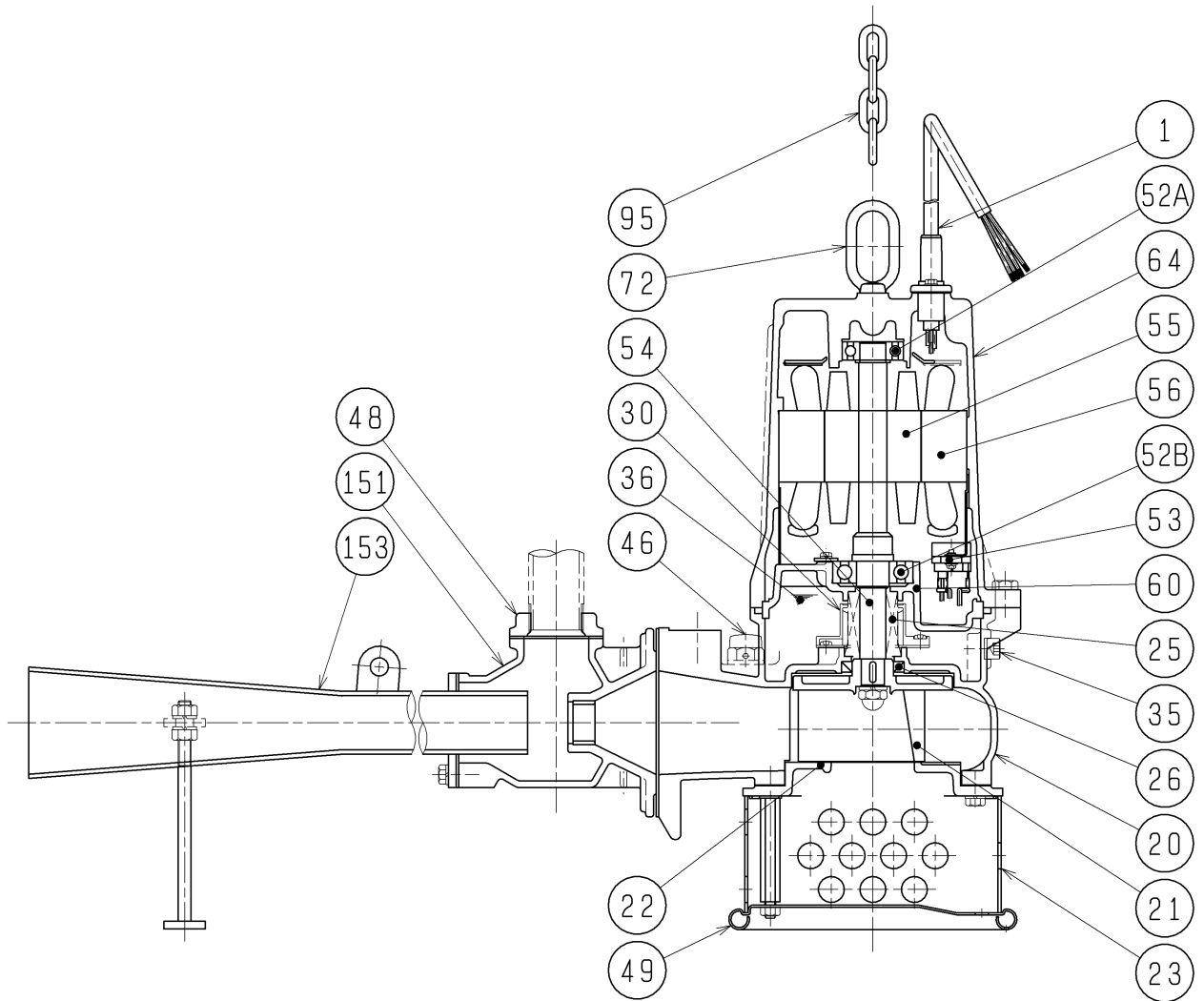
DIMENSION DRAWING		No.	No. A-11466-3
TYPE	SUBMERSIBLE EJECTOR (AERATOR)	MODEL	15-BER3

Approximate Weight (※)  
43kg  
※excluding cable



C.W.L. :Continuous running Water Level

<b>SECTIONAL DRAWING</b>		No.	No. A-17088-2
TYPE	SUBMERSIBLE EJECTOR (AERATOR)	MODEL	15-BER3



REQ. SPECIFICATION

※ the wetted part

No.	DESCRIPTION	Q'TY	MATERIAL / NOTE	No.	DESCRIPTION	Q'TY	MATERIAL / NOTE
1	Cable	1	PVC Sheath	52A	Upper Bearing	1	6204ZC3
20	Pump Casing	1	Gray Iron Casting	52B	Lower Bearing	1	6305ZC3
21	Impeller	1	Gray Iron Casting	53	Motor Protector	1	
22	Suction Cover	1	Gray Iron Casting	54	Shaft	1	Stainless Steel 420J2(※)
23	Strainer	1	Steel Plate	55	Rotor	1	
25	Mechanical Seal	1	H-20A	56	Stator	1	
26	Oil Seal	1	TC32488	60	Bearing Housing	1	Gray Iron Casting
30	Oil Lifter	1	Plastic	64	Motor Frame	1	Gray Iron Casting
35	Oil Plug	1	Stainless Steel 304	72	Eye Bolt	1	Stainless Steel 304
36	Lubricant		Turbine Oil (ISO VG32)	95	Chain	1	Structure Steel, 5m
46	Air Release Valve	1	Nylon	151	Air-Inlet Casing	1	Gray Iron Casting
48	Screwed Flange	1	Gray Iron Casting	153	Diffuser	1	Structure Steel (Nylon Coated)
49	Bottom Plate	1	Steel Plate				