

SPECIFICATIONS	Model	55-BER7	
		BER-series	
		5.5kW, 3-phase	

<p>Type of Equipment Submersible self-aspiration ejector suitable for pre-aeration and mixing in sewage and wastewater treatment</p> <p>Type of Fluid Sewage and wastewater</p> <p>Temperature: 0 to 40°C</p> <p>Air-inlet Bore 50mm</p> <p>Motor Output 5.5kW</p> <p>Power Supply Three-phase</p> <p>Starting Method Direct on Line (Star-Delta available on special request)</p> <p>Motor Continuous-duty rated, dry-type induction motor</p> <p>Insulation Class: F Degree of Protection: IP68</p> <p>No. of Poles & Speed (Synchronous Speed) 2-pole, 3000/3600min⁻¹ (50/60Hz)</p> <p>Power Supply Voltages & Rated Currents</p> <table border="0"> <tr> <td>50Hz</td> <td>60Hz</td> </tr> <tr> <td>380V – 12.4A</td> <td>220V – 21.2A</td> </tr> <tr> <td>400V – 12.1A</td> <td>380V – 11.8A</td> </tr> <tr> <td>415V – 12.1A</td> <td>440V – 10.5A</td> </tr> </table> <p>Power Cable Sheath: Chloroprene rubber Standard Length: 8m 200 to 600V supply: 1 × 4 × 3.5mm², O.D. 14.1mm</p> <p>Dry Weight (excluding cable) Free Standing Type: 149kg Guide Rail Fitting Type: 132kg</p>	50Hz	60Hz	380V – 12.4A	220V – 21.2A	400V – 12.1A	380V – 11.8A	415V – 12.1A	440V – 10.5A	<p>Impeller Semi-open single-channel impeller for solid-handling design, dynamically balanced</p> <p>Solids Passage 50Hz – ϕ35mm 60Hz – ϕ35mm</p> <p>Cable Entry with Anti-Wicking Block Watertight cable entry with strain-relief device. The anti-wicking block prevents water incursion due to capillary action should the power cable be damaged or the end submerged.</p> <p>Bearings Permanently lubricated, deep-groove, double-shielded C3 ball bearings</p> <p>Shaft 420 stainless steel</p> <p>Shaft Seal (Mechanical Seal) Furnished with a double-face mechanical seal located in oil chamber. Both upper and lower seal faces always run in a clean environment.</p> <p>Upper Seal Faces: Ceramic + Carbon Lower Seal Faces: SiC + SiC</p> <p>Oil Seal (Lip Seal) Used as a “Dust Seal”, it protects the mechanical seal from abrasive particles.</p> <p>OIL LIFTER (Patented) Equipped in oil chamber. It forcibly supplies lubricating oil to the mechanical seal and continues to supply the oil to the upper seal faces even if lubricant falls below the rated volume.</p> <p>Type of Lubricating Oil & Volume Turbine Oil (ISO VG32), 4300ml</p> <p>Motor Protection Device A circle thermal protector built in the motor housing. Directly cuts the motor circuit if excessive heat builds up or an overcurrent condition occurs in the motor.</p>
50Hz	60Hz								
380V – 12.4A	220V – 21.2A								
400V – 12.1A	380V – 11.8A								
415V – 12.1A	440V – 10.5A								

Optional Accessories

Ejector Set (Free Standing Type)

- Silencer & Valve Set
- Lifting Chain 5m (with Shackles)
- Suction Casing
- Screwed Flange
- Diffuser
- Diffuser Base

TOS-Ejector Set (Guide Rail Fitting Type)

- Silencer & Valve Set
- Lifting Chain 5m (with Shackles)
- Guide Support
- Guide Hook
- Suction Casing
- Screwed Flange
- Diffuser

External Leakage Sensor

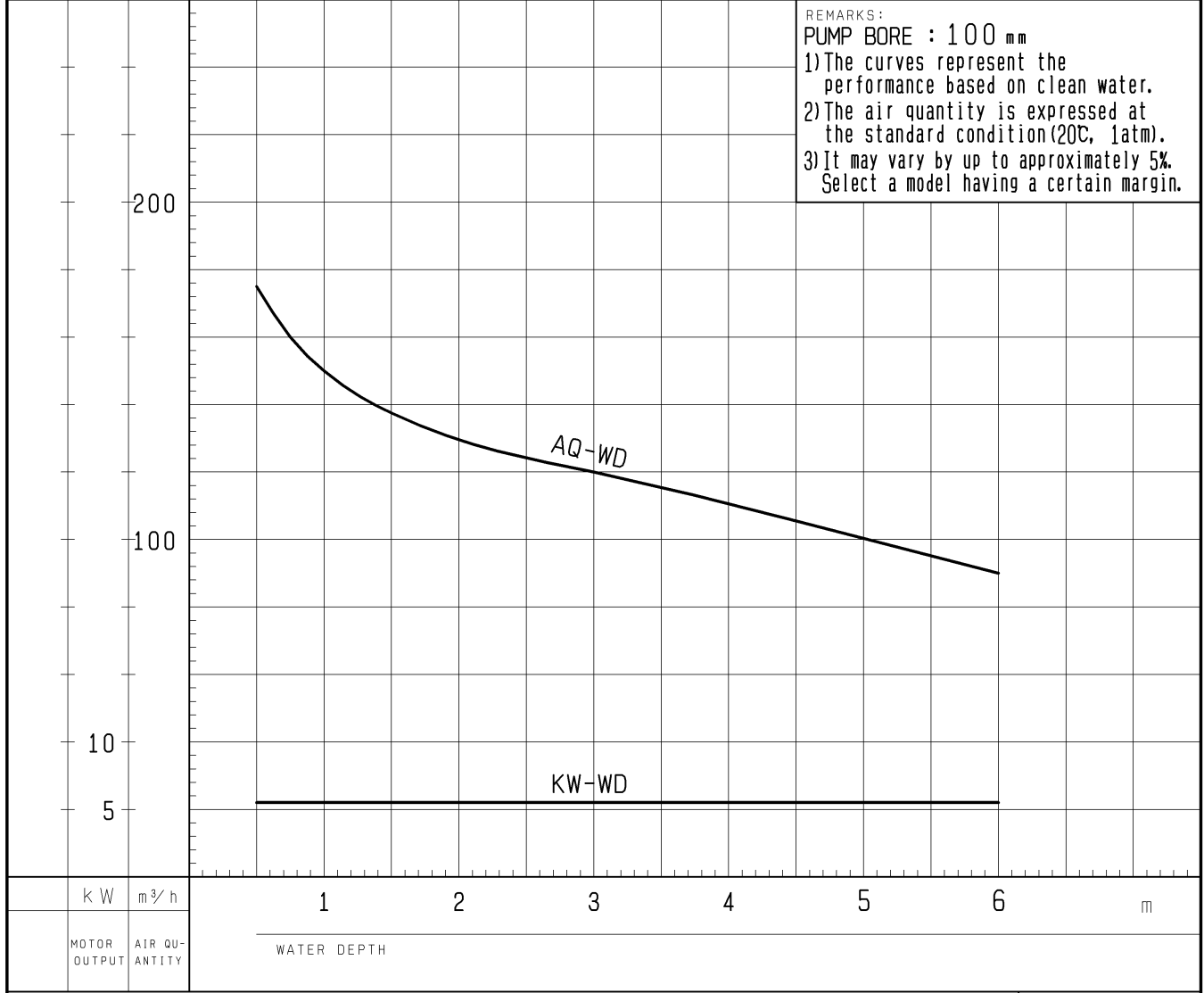
NO. A-20151-1

AERATOR PERFORMANCE CURVES

TYPE SUBMERSIBLE EJECTOR (AERATOR) MODEL 55-BER7, TOS-55BER7 FREQUENCY 50 Hz

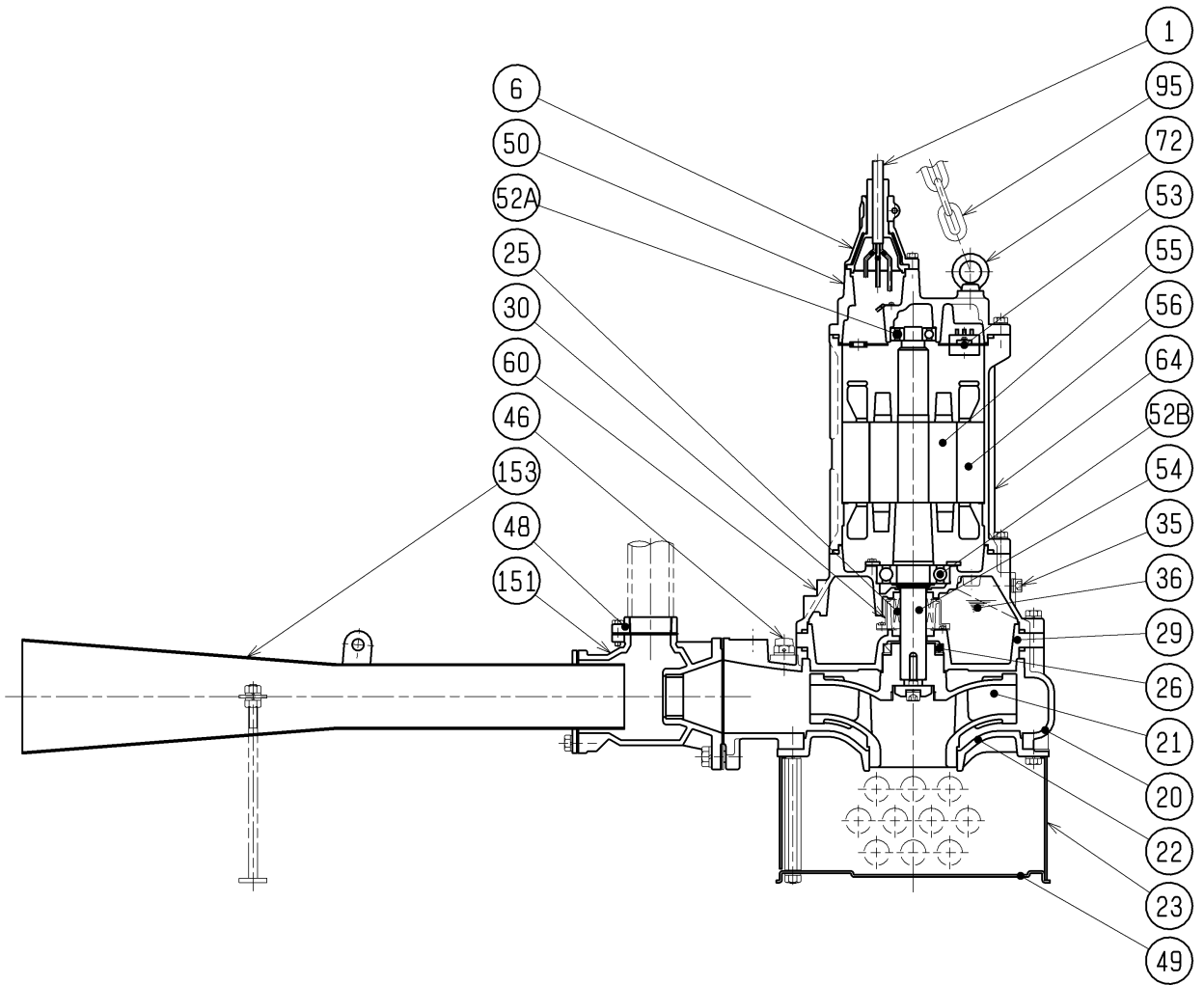
CUSTOMER'S NAME _____
 EQUIPMENT TITLE _____ NO. _____

	STANDARD SPECIFICATIONS	REQUIRED SPECIFICATIONS
AIR INLET BORE	50 mm	mm
AIR QUANTITY	at 6 m 90 m ³ /h	at m m ³ /h
WATER DEPTH	Max. 6 m	Max. m
MOTOR OUTPUT	5.5 kW	kW
PHASE x VOLTAGE	3 φ × V	φ × V
CURRENT	A	A
POLES / REVOLUTION	4 P / s. s. 1500 min ⁻¹	P / min ⁻¹
STARTING METHOD	DIRECT ON LINE	
INSULATION CLASS	F	



TSURUMI MFG. CO., LTD.

SECTIONAL DRAWING		No.	No. A-20154-1
TYPE	SUBMERSIBLE EJECTOR (AERATOR)	MODEL	55-BER7



REQ. SPECIFICATION

No.	DESCRIPTION	Q'TY	MATERIAL / NOTE	No.	DESCRIPTION	Q'TY	MATERIAL / NOTE
1	Cabtyre Cable	1	Chloroprene Sheath	50	Motor Bracket	1	Gray Iron Casting
6	Stuffing Box	1	Gray Iron Casting	52A	Upper Bearing	1	6305ZC3
20	Pump Casing	1	Gray Iron Casting	52B	Lower Bearing	1	6309ZC3
21	Impeller	1	Gray Iron Casting	53	Motor Protector	1	
22	Suction Cover	1	Gray Iron Casting	54	Shaft	1	Stainless Steel 420J2
23	Strainer	1	Steel Plate	55	Rotor	1	
25	Mechanical Seal	1	H-35A	56	Stator	1	
26	Oil Seal	1	TC608212	60	Bearing Housing	1	Gray Iron Casting
29	Oil Casing	1	Gray Iron Casting	64	Motor Frame	1	Gray Iron Casting
30	Oil Lifter	1	Plastic	72	Eye Bolt	2	Structure Steel
35	Oil Plug	2	Stainless Steel 304	95	Chain	1	Structure Steel, 5m
36	Lubricant		Turbine Oil (ISO VG32)	151	Air-Inlet Casing	1	Gray Iron Casting
46	Air Release Valve	1	Nylon	153	Diffuser	1	Structure Steel (Nylon Coated)
48	Screwed Flange	1	Gray Iron Casting				
49	Bottom Plate	1	Steel Plate				