

SPECIFICATIONS	Model	GSZ-55-4													
		GSZ-4-series 55kW, 3-phase													
<p>Type of Pump Submersible high head and high volume drainage pump for construction and foundation works, floodwater drainage, etc.</p> <p>Type of Fluid Stormwater, groundwater, wash water, and sand-carrying water</p> <p>Temperature: 0 to 40°C</p> <p>Discharge Bore & Connection 250mm, JIS 10kg/cm² Screwed Flange</p> <p>Motor Output 55kW</p> <p>Power Supply Three-phase</p> <p>Starting Method Star-Delta</p> <p>Motor Continuous-duty rated, dry-type induction motor</p> <p>Insulation Class: E Degree of Protection: IP68</p> <p>No. of Poles & Speed (Synchronous Speed) 4-pole, 1500/1800min⁻¹ (50/60Hz)</p> <p>Power Supply Voltages & Rated Currents</p> <table border="0"> <tr> <td>50Hz</td> <td>60Hz</td> </tr> <tr> <td>380V – 114A</td> <td>380V – 111A</td> </tr> <tr> <td>400V – 108A</td> <td>440V – 95A</td> </tr> <tr> <td>415V – 105A</td> <td></td> </tr> </table> <p>Power Cable Sheath: Chloroprene rubber Standard Length: 10m 200 to 600V supply:</p> <table border="0"> <tr> <td>1 x $\begin{pmatrix} 3 \times 30\text{mm}^2 \\ 1 \times 14\text{mm}^2 \\ 2 \times 2\text{mm}^2 \end{pmatrix}$</td> <td>O.D. 35.9mm</td> </tr> <tr> <td>1 x 3 x 30mm²,</td> <td>O.D. 35.9mm</td> </tr> </table> <p>Dry Weight (excluding cable) 1150kg</p>		50Hz	60Hz	380V – 114A	380V – 111A	400V – 108A	440V – 95A	415V – 105A		1 x $\begin{pmatrix} 3 \times 30\text{mm}^2 \\ 1 \times 14\text{mm}^2 \\ 2 \times 2\text{mm}^2 \end{pmatrix}$	O.D. 35.9mm	1 x 3 x 30mm ² ,	O.D. 35.9mm	<p>Impeller Closed impeller made of high-chromium cast iron</p> <p>Solids Passage 50Hz – ϕ25mm 60Hz – ϕ25mm</p> <p>Cable Entry with Anti-Wicking Block Watertight cable entry with strain-relief device. The anti-wicking block prevents water incursion due to capillary action should the power cable be damaged or the end submerged.</p> <p>Bearing Upper: Permanently lubricated, deep-groove, double-shielded C3 ball bearing Lower: Duplex angular contact ball bearing mounted back-to-back</p> <p>Shaft 420 stainless steel</p> <p>Shaft Seal (Mechanical Seal) Furnished with a double-face mechanical seal located in oil chamber. Both upper and lower seal faces always run in a clean environment.</p> <p>Upper Seal Face: SiC + SiC Lower Seal Face: SiC + SiC</p> <p>Pressure Relief Port Protects the mechanical seal from over rated limits, and also protects the seal faces from abrasive particles by drawing particles away.</p> <p>OIL LIFTER (Patented) Equipped in oil chamber. It forcibly supplies lubricating oil to the mechanical seal and continues to supply the oil to the upper seal faces even if lubricant falls below the rated volume.</p> <p>Type of Lubricating Oil & Volume Turbine Oil (ISO VG32), 9400ml</p> <p>Motor Protection Device A miniature thermal protector is embedded in each winding of the motor. Should excessive heat builds up, the bimetal strip opens to cause the control panel to shut the power supply.</p>	
50Hz	60Hz														
380V – 114A	380V – 111A														
400V – 108A	440V – 95A														
415V – 105A															
1 x $\begin{pmatrix} 3 \times 30\text{mm}^2 \\ 1 \times 14\text{mm}^2 \\ 2 \times 2\text{mm}^2 \end{pmatrix}$	O.D. 35.9mm														
1 x 3 x 30mm ² ,	O.D. 35.9mm														

NO. A-22145-1

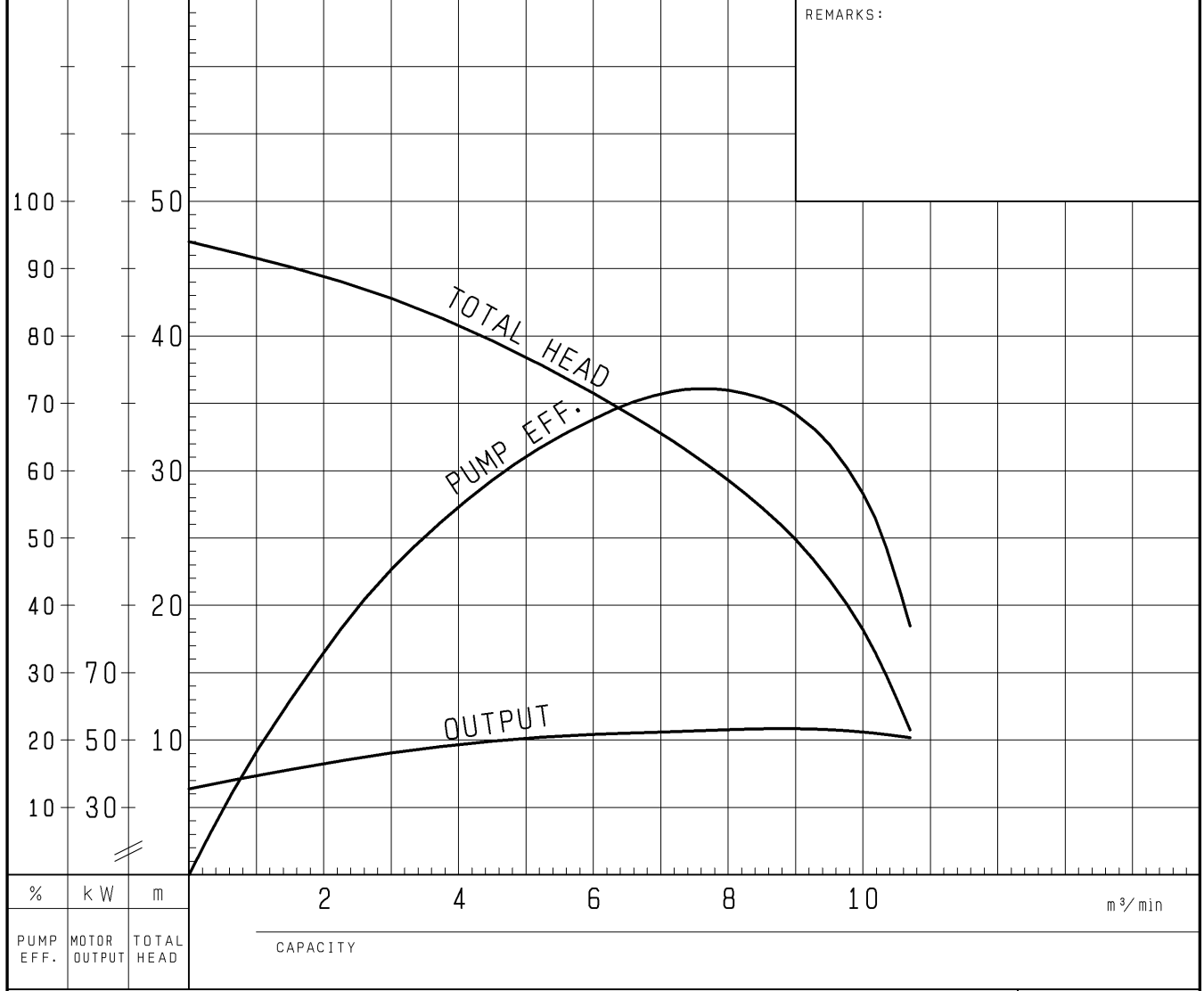
PUMP PERFORMANCE CURVES

TYPE Submersible High-Head Dewatering Pump	MODEL GSZ-55-4	FREQUENCY 50 Hz
---	----------------	-----------------

CUSTOMER'S NAME _____

EQUIPMENT TITLE _____ NO. _____

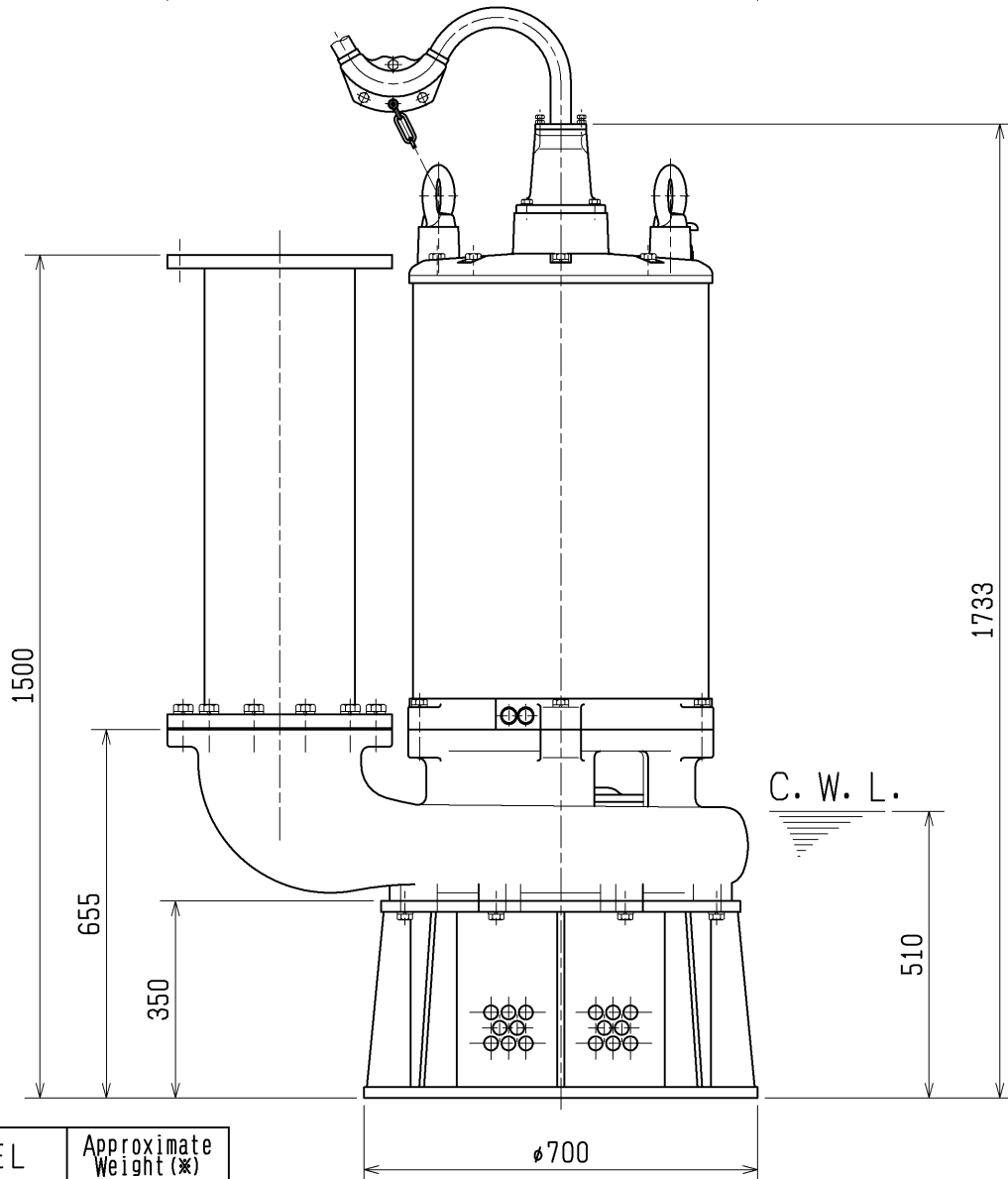
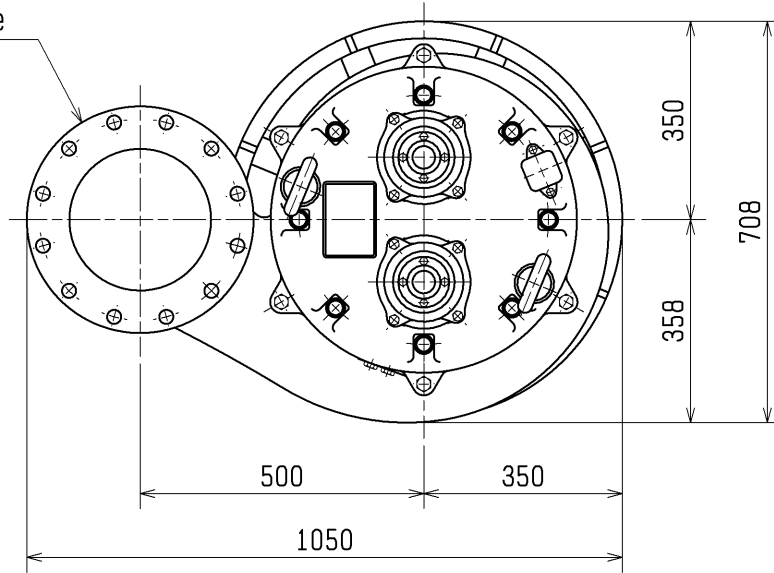
	STANDARD SPECIFICATIONS	REQUIRED SPECIFICATIONS
DISCHARGE BORE	250 mm	mm
TOTAL HEAD	35 m	m
CAPACITY	6.0 m ³ /min	m ³ /min
MOTOR OUTPUT	55 kW	kW
PHASE × VOLTAGE	3 φ × V	φ × V
CURRENT	A	A
POLES / REVOLUTION	4 P / S. S. 1500 min ⁻¹	P / min ⁻¹
STARTING METHOD	STAR DELTA	
INSULATION CLASS	E	



TSURUMI MFG. CO., LTD.

DIMENSION DRAWING		No.	No. A-22149-1
TYPE	Submersible High-Head Dewatering Pump	MODEL	GSZ-55-4, GSZ-75-4

JIS10K Flange
Nominal Dia.
φ250

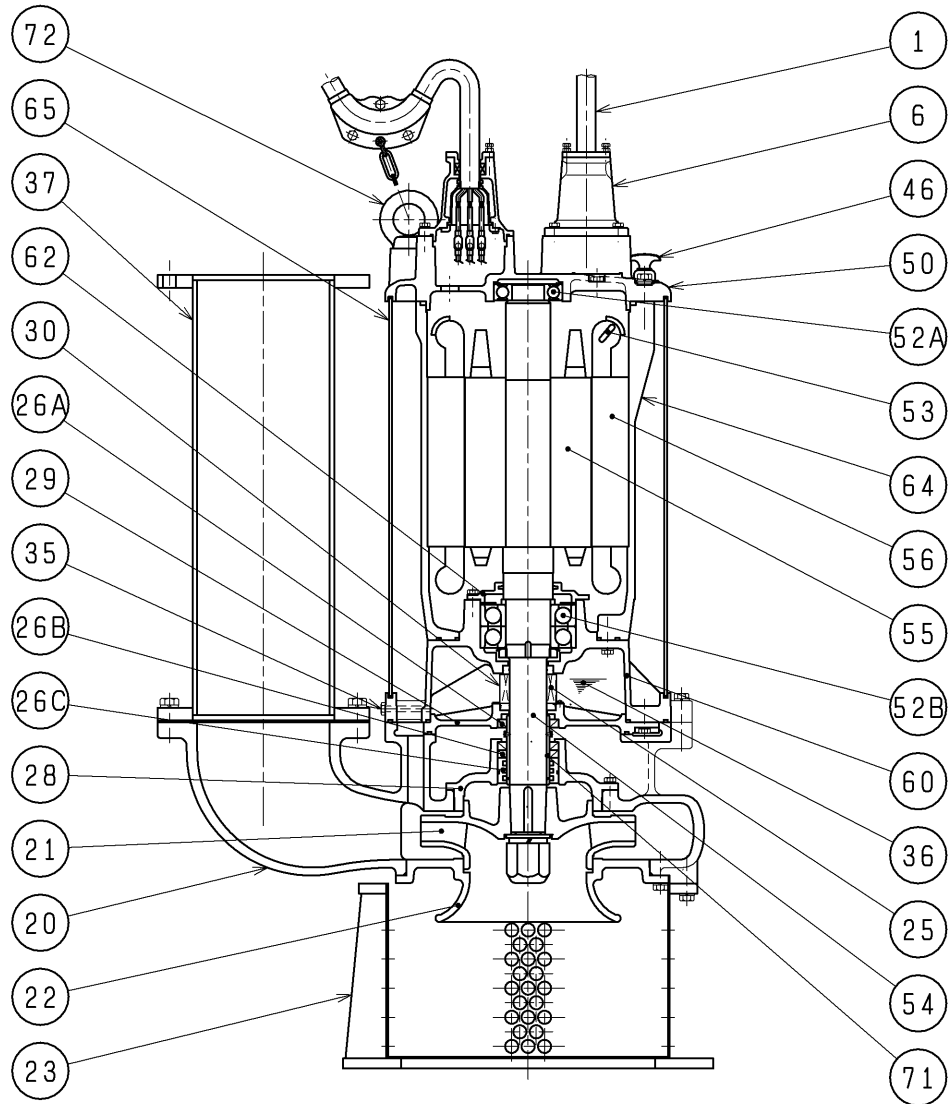


MODEL	Approximate Weight (※)
GSZ-55-4	1150kg
GSZ-75-4	1200kg

※excluding cable

C. W. L. :Continuous running Water Level

SECTIONAL DRAWING		No.	No. A-22150-1
TYPE	Submersible High-Head Dewatering Pump	MODEL	GSZ-55-4, GSZ-75-4



REQ. SPECIFICATION

※55kW:Chromium Steel
 75kW:Stainless Steel Casting

No.	DESCRIPTION	QTY	MATERIAL / NOTE	No.	DESCRIPTION	QTY	MATERIAL / NOTE
1	Cabtyre Cable	2	Chloroprene Sheath	46	Air Release Valve	1	Steel Sheet
6	Stuffing Box	2	Gray Iron Casting	50	Motor Bracket	1	Gray Iron Casting
20	Pump Casing	1	Gray Iron Casting	52A	Upper Bearing	1	6312ZZC3
21	Impeller	1	※	52B	Lower Bearing	1	7317ADB
22	Suction Cover	1	Gray Iron Casting	53	Motor Protector	3	
23	Strainer	1	Structure Sheet	54	Shaft	1	Stainless Steel 420J2
25	Mechanical Seal	1	H-70	55	Rotor	1	
26A	Oil Seal	1	TC8011515	56	Stator	1	
26B	Oil Seal	2	TC8011515	60	Bearing Housing	1	Gray Iron Casting
26C	Labyrinth Ring	1	Stainless Steel 403	62	Bearing Cover	1	Gray Iron Casting
28	Seal Housing	1	Gray Iron Casting	64	Motor Frame	1	Gray Iron Casting
29	Oil Casing	1	Gray Iron Casting	65	Outer Cover	1	Structure Sheet
30	Oil Lifter	1	Steel Sheet	71	Shaft Sleeve	1	Stainless Steel 403
35	Oil Plug	2	Stainless Steel 304	72	Eyebolt	2	Structure Steel
36	Lubricant		Turbine Oil (ISO VG32)				
37	Discharge Pipe	1	Carbon Steel Pipe & Structure Steel				