

SPECIFICATIONS	Model	GSZ5-37-4									
		GSZ-4-series 37kW, 3-phase									
<p>Type of Pump Submersible high head and high volume drainage pump for construction and foundation works, floodwater drainage, etc.</p> <p>Type of Fluid Stormwater, groundwater, wash water, and sand-carrying water</p> <p>Temperature: 0 to 40°C</p> <p>Discharge Bore & Connection 200mm, JIS 10kg/cm² Screwed Flange</p> <p>Motor Output 37kW</p> <p>Power Supply Three-phase</p> <p>Starting Method Star-Delta</p> <p>Motor Continuous-duty rated, dry-type induction motor</p> <p>Insulation Class: F Degree of Protection: IP68</p> <p>No. of Poles & Speed (Synchronous Speed) 4-pole, 1500/1800min⁻¹ (50/60Hz)</p> <p>Power Supply Voltages & Rated Currents</p> <table border="0"> <tr> <td>50Hz</td> <td>60Hz</td> </tr> <tr> <td>380V – 80A</td> <td>220V – 140A</td> </tr> <tr> <td>400V – 76A</td> <td>380V – 81A</td> </tr> <tr> <td>415V – 73A</td> <td>440V – 72A</td> </tr> </table> <p>Power Cable Sheath: Chloroprene rubber Standard Length: 10m 200 to 600V supply: 1 x 4 x 22mm², O.D. 31.6mm 1 x 3 x 22mm², O.D. 27.1mm 1 x 2 x 1.25mm², O.D. 9.6mm</p> <p>Dry Weight (excluding cable) 605kg</p>		50Hz	60Hz	380V – 80A	220V – 140A	400V – 76A	380V – 81A	415V – 73A	440V – 72A	<p>Impeller Closed impeller made of high-chromium cast iron</p> <p>Solids Passage 50Hz – ϕ25mm 60Hz – ϕ25mm</p> <p>Cable Entry with Anti-Wicking Block Watertight cable entry with strain-relief device. The anti-wicking block prevents water incursion due to capillary action should the power cable be damaged or the end submerged.</p> <p>Bearing Permanently lubricated, deep-groove, double-shielded C3 ball bearings</p> <p>Shaft 420 stainless steel</p> <p>Shaft Seal (Mechanical Seal) Furnished with a double-face mechanical seal located in oil chamber. Both upper and lower seal faces always run in a clean environment.</p> <p>Upper Seal Face: SiC + SiC Lower Seal Face: SiC + SiC</p> <p>Pressure Relief Port Protects the mechanical seal from over rated limits, and also protects the seal faces from abrasive particles by drawing particles away.</p> <p>OIL LIFTER (Patented) Equipped in oil chamber. It forcibly supplies lubricating oil to the mechanical seal and continues to supply the oil to the upper seal faces even if lubricant falls below the rated volume.</p> <p>Type of Lubricating Oil & Volume Turbine Oil (ISO VG32), 8400ml</p> <p>Motor Protection Device A miniature thermal protector is embedded in each winding of the motor. Should excessive heat builds up, the bimetal strip opens to cause the control panel to shut the power supply.</p>	
50Hz	60Hz										
380V – 80A	220V – 140A										
400V – 76A	380V – 81A										
415V – 73A	440V – 72A										

NO. A-16992-1

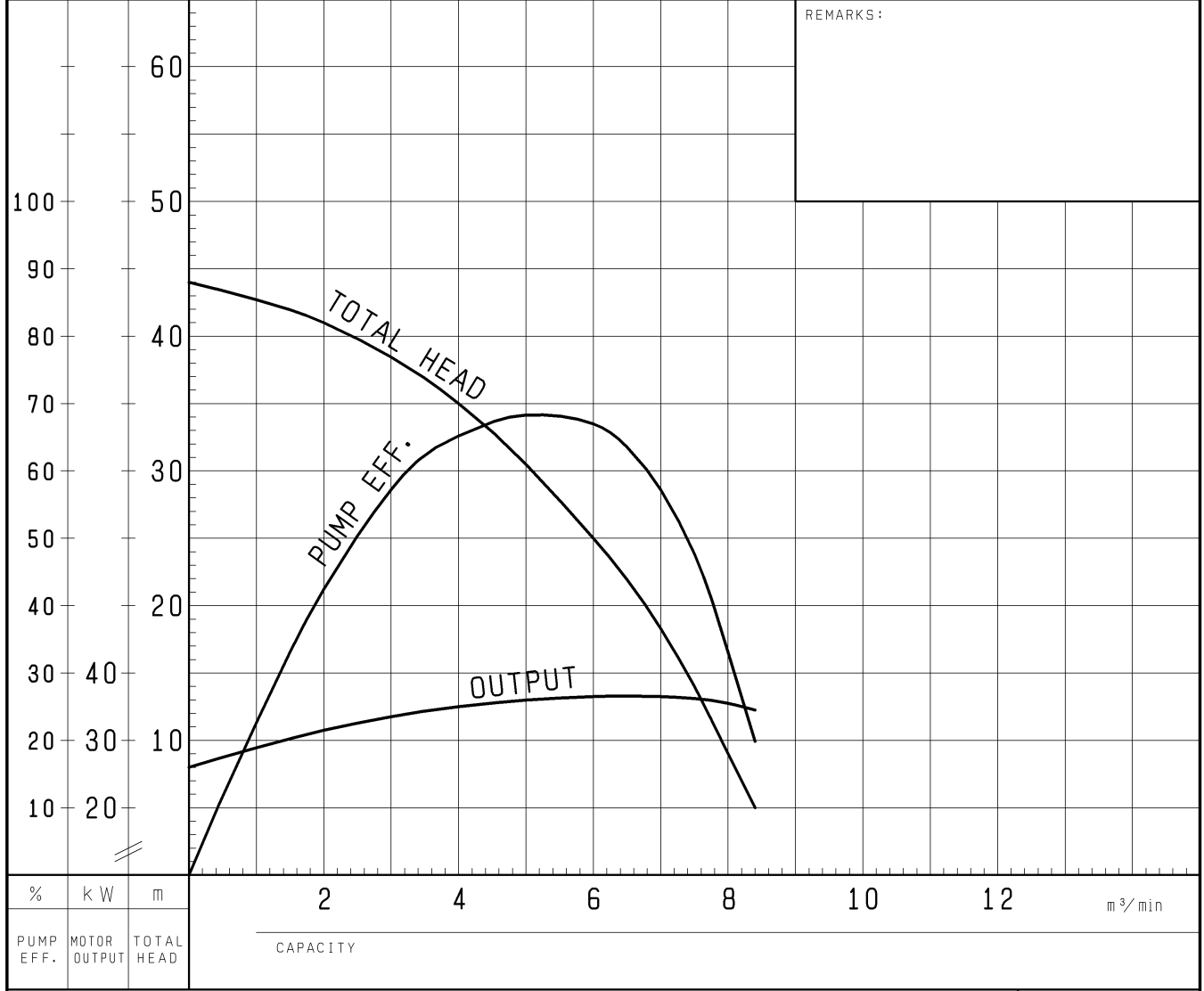
PUMP PERFORMANCE CURVES

TYPE Submersible Dewatering Pump	MODEL GSZ5-37-4	FREQUENCY 50 Hz
-------------------------------------	--------------------	--------------------

CUSTOMER'S NAME _____

EQUIPMENT TITLE _____ NO. _____

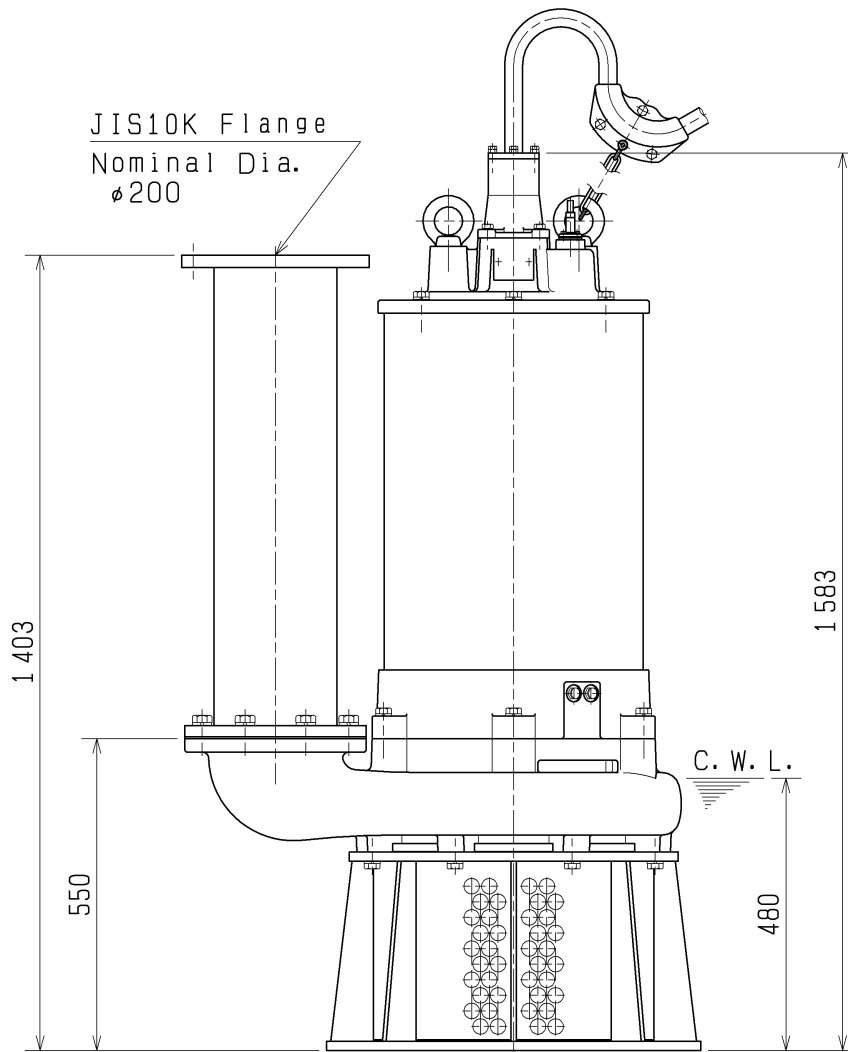
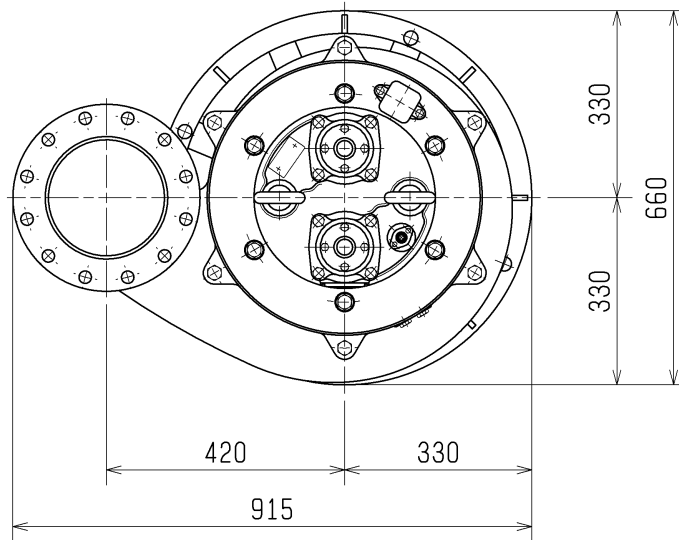
	STANDARD SPECIFICATIONS	REQUIRED SPECIFICATIONS
DISCHARGE BORE	200 mm	mm
TOTAL HEAD	35 m	m
CAPACITY	4 m ³ /min	m ³ /min
MOTOR OUTPUT	37 kW	kW
PHASE x VOLTAGE	3 ϕ x V	ϕ x V
CURRENT	A	A
POLES / REVOLUTION	4 P / s. s. 1500 min ⁻¹	P / min ⁻¹
STARTING METHOD	STAR-DELTA	
INSULATION CLASS	F	



TSURUMI MFG. CO., LTD.

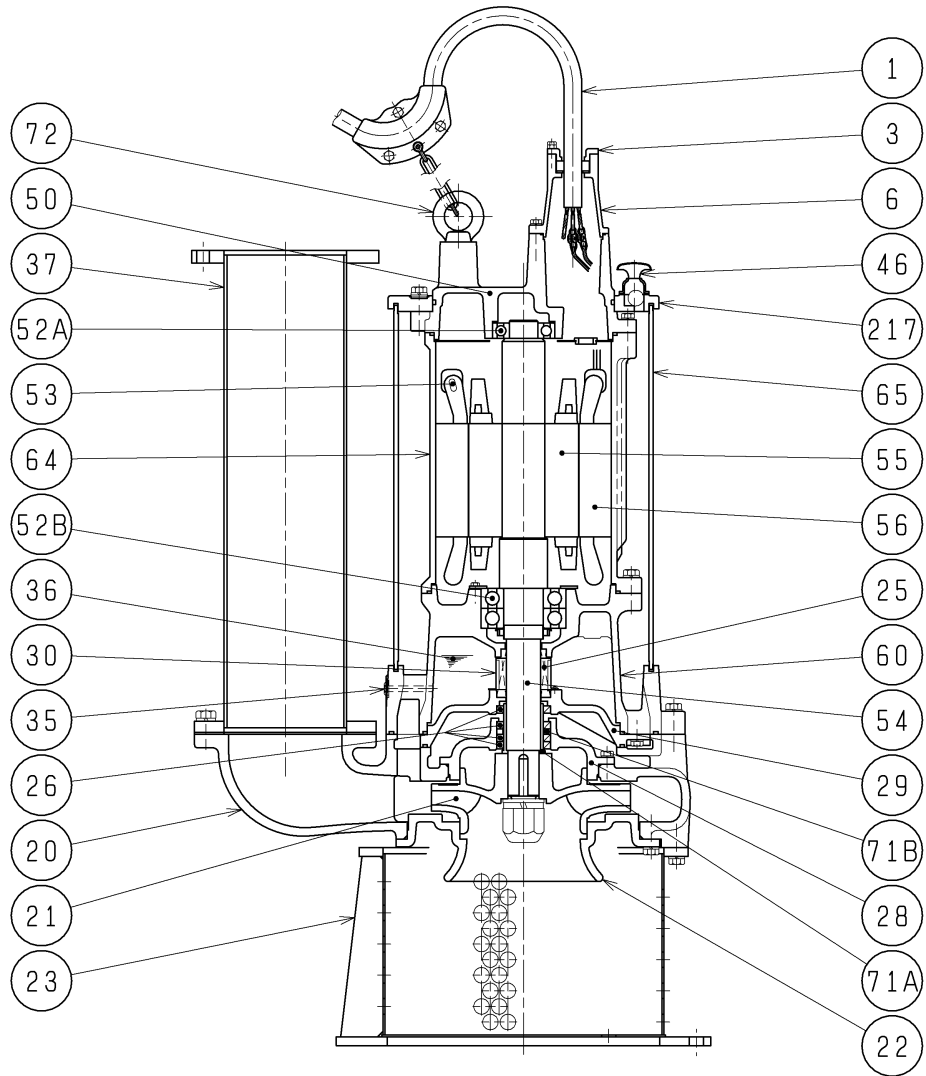
DIMENSION DRAWING		No.	No.	A-19305-1
TYPE	Submersible Dewatering Pump	MODEL	GSZ5-37-4	

Approximate Weight(※)
605kg
※excluding cable



C.W.L.:Continuous running Water Level

SECTIONAL DRAWING		No.	No. A-19330-1
TYPE	Submersible Dewatering Pump	MODEL	GSZ5-37-4



REQ. SPECIFICATION

No.	DESCRIPTION	QTY	MATERIAL / NOTE	No.	DESCRIPTION	QTY	MATERIAL / NOTE
1	Cabtyre Cable	2	Chloroprene Sheath (For the Power)	50	Motor Bracket	1	Gray Iron Casting
		1	PVC Sheath (For the Control)	52A	Upper Bearing	1	6310ZZC3
3	Gland	2	Gray Iron Casting	52B	Lower Bearing	1	6314ZZD2C3
6	Stuffing Box	2	Gray Iron Casting	53	Motor Protector	3	
20	Pump Casing	1	Gray Iron Casting	54	Shaft	1	Stainless Steel 420J2
21	Impeller	1	Chromium Iron Casting	55	Rotor	1	
22	Suction Cover	1	Gray Iron Casting	56	Stator	1	
23	Strainer Stand	1	Structure Steel	60	Bearing Housing	1	Gray Iron Casting
25	Mechanical Seal	1	H-60	64	Motor Frame	1	Gray Iron Casting
26	Oil Seal	4	TC709513	65	Outer Cover	1	Carbon Steel Pipe
28	Seal Housing	1	Gray Iron Casting	71A	Shaft Sleeve	1	Stainless Steel 403
29	Oil Casing	1	Gray Iron Casting	71B	Spacer	1	Stainless Steel 403
30	Oil Lifter	1	Steel Plate	72	Eye Bolt	2	Structure Steel
35	Oil Plug	2	Stainless Steel 304	217	Fixing Plate	1	Gray Iron Casting
36	Lubricant		Turbine Oil (ISO VG32)				
37	Discharge Pipe	1	Carbon Steel Pipe & Structure Steel				
46	Air Release Valve	1	Steel Plate				