

| SPECIFICATIONS | Model | KTV-series | | | | | | | | | |
|--|-------------|----------------|------|-------------|-------------|-------------|-------------|-------------|-------------|---|--|
| | | 1.5kW, 3-phase | | | | | | | | | |
| <p>Type of Pump Submersible drainage pump for construction and foundation works, floodwater drainage, etc.</p> <p>Type of Fluid Stormwater, groundwater, wash water, and sand-carrying water</p> <p>Temperature: 0 to 40°C</p> <p>Discharge Bore & Connection 50mm, Hose Coupling (80mm discharge bore available on special request)</p> <p>Motor Output 1.5kW</p> <p>Power Supply Three-phase</p> <p>Starting Method Direct on Line</p> <p>Motor Continuous-duty rated, dry-type induction motor</p> <p>Insulation Class: E Degree of Protection: IP68</p> <p>No. of Poles & Speed (Synchronous Speed) 2-pole, 3000/3600min⁻¹ (50/60Hz)</p> <p>Power Supply Voltages & Rated Currents</p> <table border="0"> <tr> <td>50Hz</td> <td>60Hz</td> </tr> <tr> <td>380V – 3.4A</td> <td>220V – 5.6A</td> </tr> <tr> <td>400V – 3.3A</td> <td>380V – 3.3A</td> </tr> <tr> <td>415V – 3.2A</td> <td>440V – 2.8A</td> </tr> </table> <p>Power Cable Sheath: PVC Standard Length: 8m 200 to 600V supply: 1 x 4 x 1.25mm², O.D. 11.1mm</p> <p>Dry Weight (excluding cable) 21kg</p> | | 50Hz | 60Hz | 380V – 3.4A | 220V – 5.6A | 400V – 3.3A | 380V – 3.3A | 415V – 3.2A | 440V – 2.8A | <p>Impeller Vortex impeller deigned for “high-gap structure”, made of ductile cast iron</p> <p>Solids Passage 50Hz – ϕ8.5mm 60Hz – ϕ8.5mm</p> <p>Cable Entry with Anti-Wicking Block Watertight cable entry with strain-relief device. The anti-wicking block prevents water incursion due to capillary action should the power cable be damaged or the end submerged.</p> <p>Bearing Permanently lubricated, deep-groove, double-shielded C3 ball bearings</p> <p>Shaft 403 stainless steel</p> <p>Shaft Seal (Mechanical Seal) Furnished with a double-face mechanical seal located in oil chamber. Both upper and lower seal faces always run in a clean environment.</p> <p>Upper Seal Face: SiC + SiC Lower Seal Face: SiC + SiC</p> <p>OIL LIFTER (Patented) Equipped in oil chamber. It forcibly supplies lubricating oil to the mechanical seal and continues to supply the oil to the upper seal faces even if lubricant falls below the rated volume.</p> <p>Type of Lubricating Oil & Volume Turbine Oil (ISO VG32), 270ml</p> <p>Motor Protection Device A circle thermal protector built in the motor housing. Directly cuts the motor circuit if excessive heat builds up or an overcurrent condition occurs in the motor.</p> | |
| 50Hz | 60Hz | | | | | | | | | | |
| 380V – 3.4A | 220V – 5.6A | | | | | | | | | | |
| 400V – 3.3A | 380V – 3.3A | | | | | | | | | | |
| 415V – 3.2A | 440V – 2.8A | | | | | | | | | | |

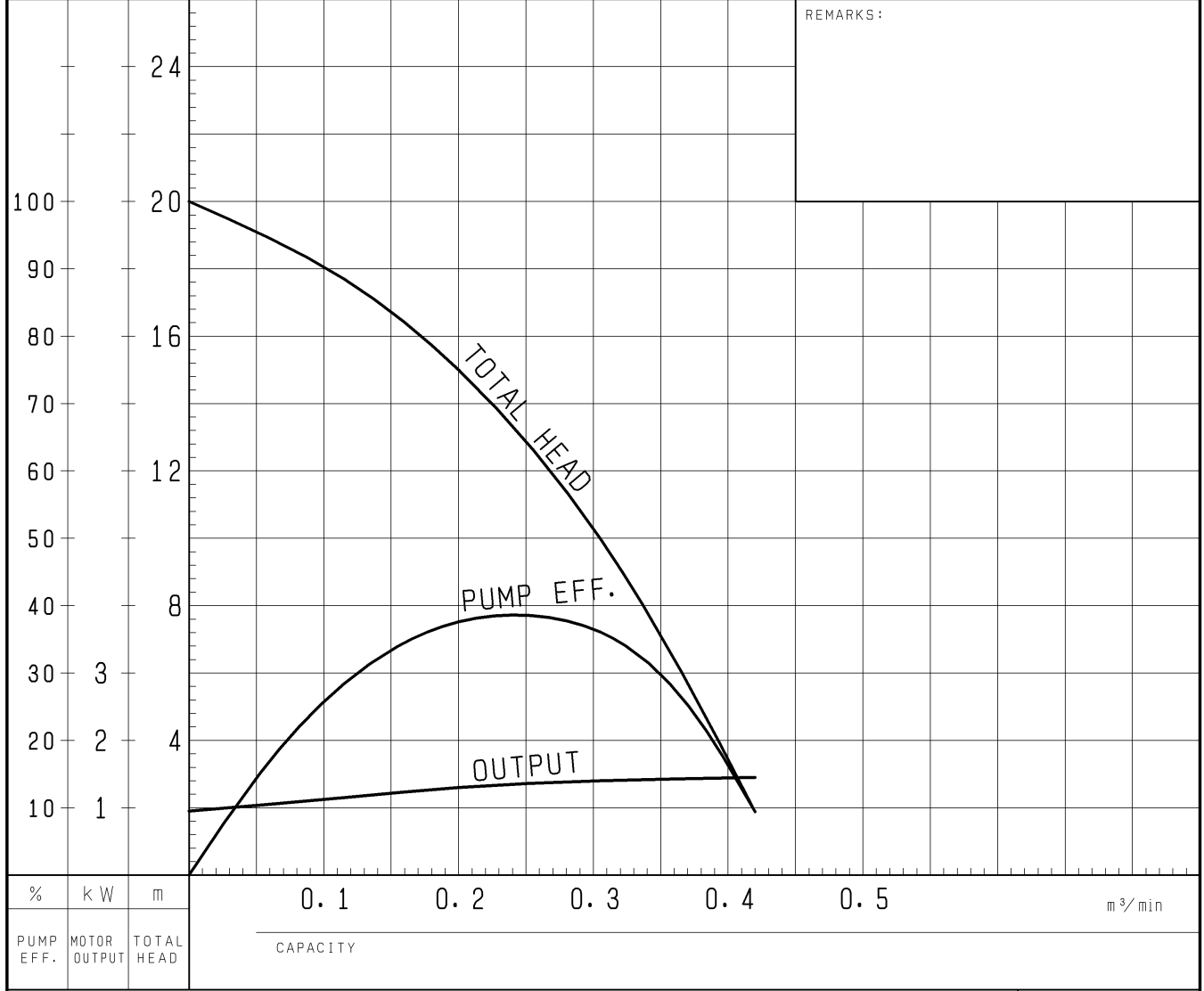
NO. A-15435-2

PUMP PERFORMANCE CURVES

TYPE Submersible Dewatering Pump MODEL KTV2-15 FREQUENCY 50 Hz

CUSTOMER'S NAME _____
 EQUIPMENT TITLE _____ NO. _____

| | STANDARD SPECIFICATIONS | REQUIRED SPECIFICATIONS |
|--------------------|------------------------------------|-------------------------|
| DISCHARGE BORE | 50 mm | mm |
| TOTAL HEAD | 15 m | m |
| CAPACITY | 0.2 m ³ /min | m ³ /min |
| MOTOR OUTPUT | 1.5 kW | kW |
| PHASE x VOLTAGE | 3 φ x V | φ x V |
| CURRENT | A | A |
| POLES / REVOLUTION | 2 P / S. S. 3000 min ⁻¹ | P / min ⁻¹ |
| STARTING METHOD | DIRECT ON LINE | |
| INSULATION CLASS | E | |

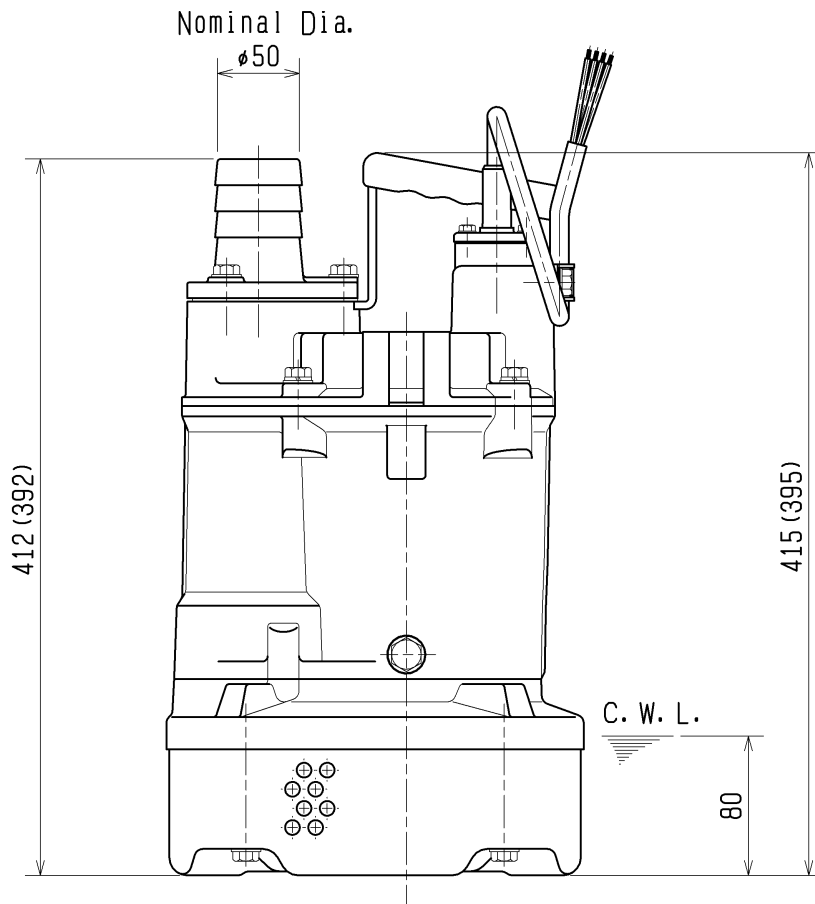
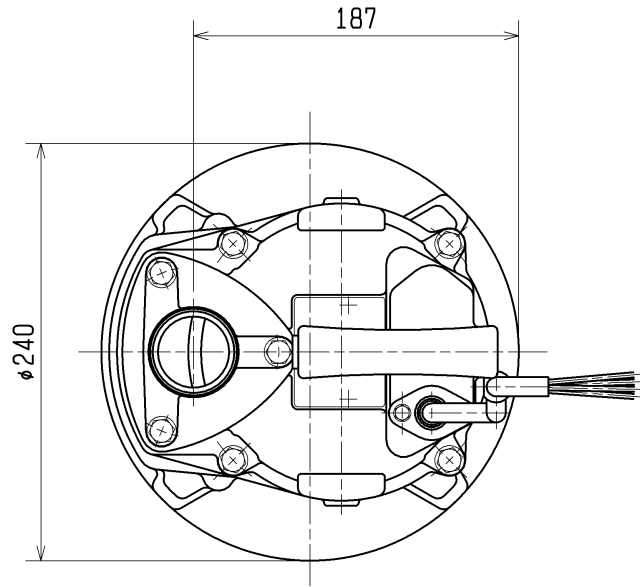


TSURUMI MFG. CO., LTD.

| | | | | |
|-------------------|-----------------------------|-------|--------------------|-----------|
| DIMENSION DRAWING | | No. | No. | A-22069-1 |
| TYPE | Submersible Dewatering Pump | MODEL | KTV2-15 KTV2-22 | |

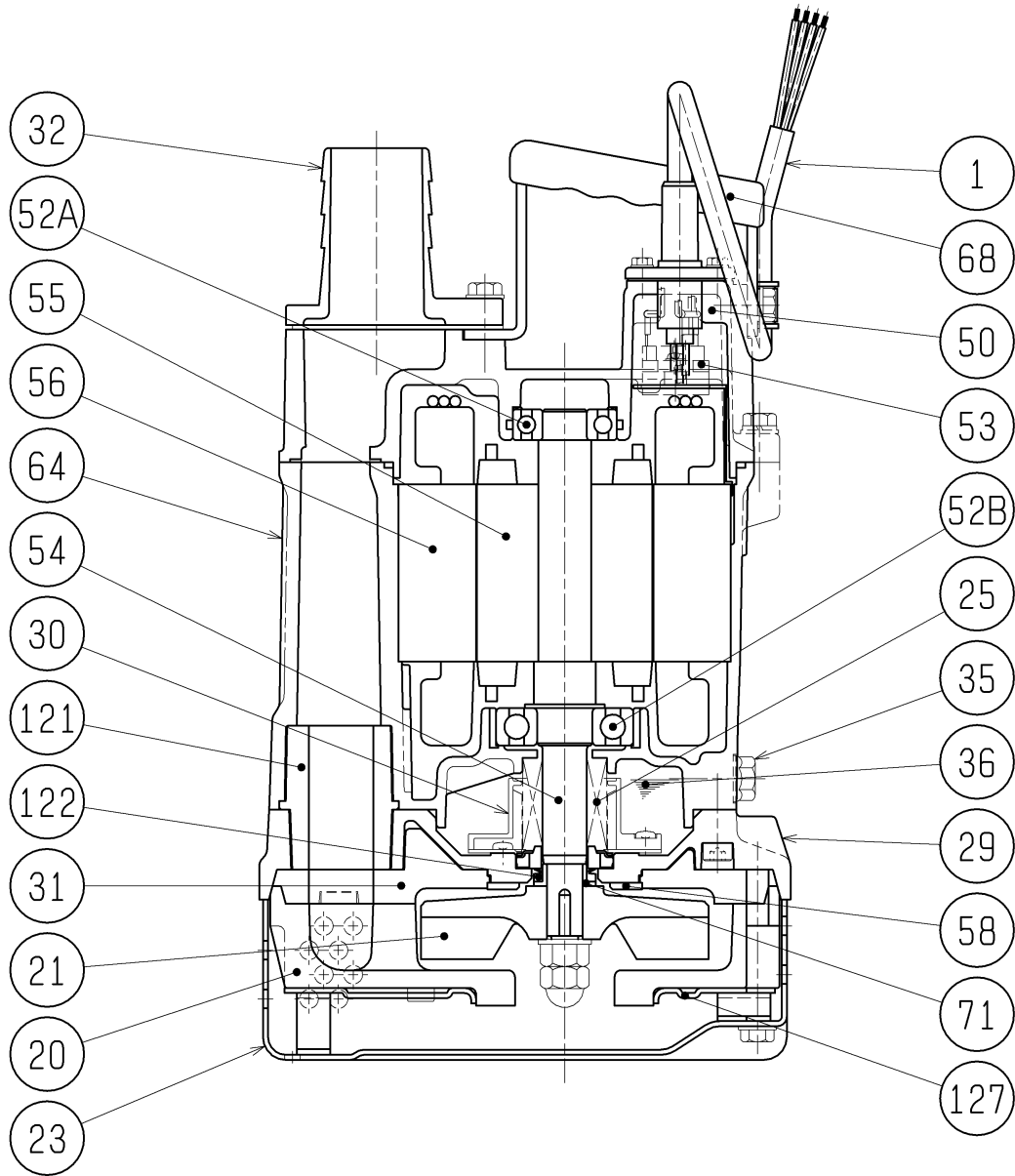
| MODEL | Approximate Weight (kg) |
|---------|-------------------------|
| KTV2-15 | 21kg |
| KTV2-22 | 23kg |

*excluding cable



The Figure in () shows the dimensions of KTV2-15.
C. W. L. :Continuous running Water Level

| | | | |
|-------------------|-----------------------------|-------|--------------------|
| SECTIONAL DRAWING | | No. | No. A-22076-1 |
| TYPE | Submersible Dewatering Pump | MODEL | KTV2-15 KTV2-22 |



| REQ. SPECIFICATION |
|--------------------|
| |
| |
| |

| No. | DESCRIPTION | Q'TY | MATERIAL / NOTE | No. | DESCRIPTION | Q'TY | MATERIAL / NOTE |
|-----|-----------------|------|-----------------------------------|-----|------------------|------|--------------------------|
| 1 | Cabtyre Cable | 1 | PVC Sheath | 53 | Motor Protector | 1 | |
| 20 | Pump Casing | 1 | Butadiene Rubber + Natural Rubber | 54 | Shaft | 1 | Stainless Steel 403 |
| 21 | Impeller | 1 | Ductile Iron Casting | 55 | Rotor | 1 | |
| 23 | Strainer Stand | 1 | Steel Sheet | 56 | Stator | 1 | |
| 25 | Mechanical Seal | 1 | H-20T | 58 | Protection Plate | 1 | Stainless Steel 304 |
| 29 | Oil Casing | 1 | Aluminium Die Casting | 64 | Motor Frame | 1 | Aluminium Die Casting |
| 30 | Oil Lifter | 1 | Plastic | 68 | Handle | 1 | Steel Sheel & Rubber |
| 31 | Rear Liner | 1 | Butadiene Rubber | 71 | Shaft Sleeve | 1 | Stainless Steel 304 |
| 32 | Hose Coupling | 1 | Aluminium Die Casting | 121 | Packing | 1 | Styrene Butadiene Rubber |
| 35 | Oil Plug | 1 | Stainless Steel 304 | 122 | V-ring | 1 | Nitrile Butadiene Rubber |
| 36 | Lubricant | | Turbine Oil (ISO VG32) | 127 | Fixing Plate | 1 | Steel Sheet |
| 50 | Motor Bracket | 1 | Aluminium Die Casting | | | | |
| 52A | Upper Bearing | 1 | 6204ZZC3 | | | | |
| 52B | Lower Bearing | 1 | 6305ZZC3 | | | | |