

SPECIFICATIONS	Model	LB-1500									
		LB-series 1.5kW, 1-phase									
<p>Type of Pump Submersible drainage pump for construction and foundation works, floodwater drainage, etc.</p> <p>Type of Fluid Stormwater, groundwater, wash water, and sand-carrying water</p> <p>Temperature: 0 to 40°C</p> <p>Discharge Bore & Connection 50mm, Hose Coupling (80mm discharge bore available on special request)</p> <p>Motor Output 1.5kW</p> <p>Power Supply Single-phase</p> <p>Starting Method Capacitor Start</p> <p>Motor Continuous-duty rated, dry-type induction motor</p> <p>Insulation Class: B Degree of Protection: IP68</p> <p>No. of Poles & Speed (Synchronous Speed) 2-pole, 3000/3600min⁻¹ (50/60Hz)</p> <p>Power Supply Voltages & Rated Currents</p> <table border="0"> <tr> <td>50Hz</td> <td>60Hz</td> </tr> <tr> <td>220V – 14.1A</td> <td>110V – 27.1A</td> </tr> <tr> <td>230V – 15.7A</td> <td>220V – 13.7A</td> </tr> <tr> <td>240V – 16.3A</td> <td></td> </tr> </table> <p>Power Cable Sheath: Chloroprene rubber Standard Length: 10m 200 to 240V supply: 1 x 3 x 2.0mm², O.D. 14.4mm 100 to 120V supply: 1 x 3 x 3.5mm², O.D. 15.6mm</p> <p>Dry Weight (excluding cable) 33kg</p>		50Hz	60Hz	220V – 14.1A	110V – 27.1A	230V – 15.7A	220V – 13.7A	240V – 16.3A		<p>Impeller Semi-open impeller made of high-chromium cast iron</p> <p>Solids Passage 50Hz – ϕ6mm 60Hz – ϕ6mm</p> <p>Cable Entry with Anti-Wicking Block Watertight cable entry with strain-relief device. The anti-wicking block prevents water incursion due to capillary action should the power cable be damaged or the end submerged.</p> <p>Bearing Permanently lubricated, deep-groove, double-shielded C3 ball bearings</p> <p>Shaft 403 stainless steel</p> <p>Shaft Seal (Mechanical Seal) Furnished with a double-face mechanical seal located in oil chamber. Both upper and lower seal faces always run in a clean environment.</p> <p>Upper Seal Face: SiC + SiC Lower Seal Face: SiC + SiC</p> <p>OIL LIFTER (Patented) Equipped in oil chamber. It forcibly supplies lubricating oil to the mechanical seal and continues to supply the oil to the upper seal faces even if lubricant falls below the rated volume.</p> <p>Type of Lubricating Oil & Volume Turbine Oil (ISO VG32), 350ml</p> <p>Motor Protection Device A circle thermal protector built in the motor housing. Directly cuts the motor circuit if excessive heat builds up or an overcurrent condition occurs in the motor.</p>	
50Hz	60Hz										
220V – 14.1A	110V – 27.1A										
230V – 15.7A	220V – 13.7A										
240V – 16.3A											

NO. A-16074-2

PUMP PERFORMANCE CURVES

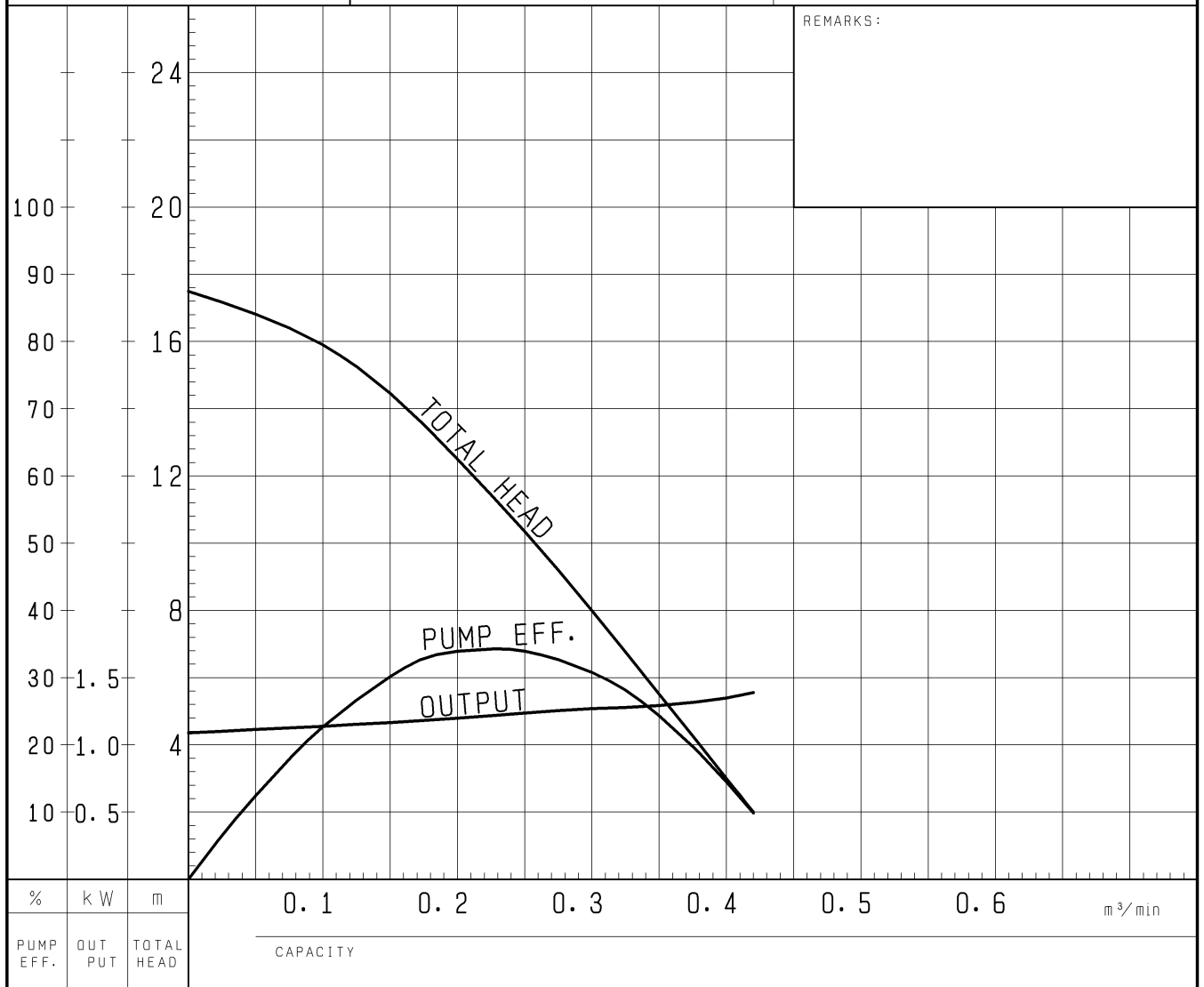
TYPE Submersible Portable Pump	MODEL LB-1500 -50	FREQUENCY 50 Hz
-----------------------------------	----------------------	--------------------

CUSTOMER'S NAME _____

EQUIPMENT TITLE _____

NO. _____

	STANDARD SPECIFICATIONS	REQUIRED SPECIFICATIONS
DISCHARGE BORE	50/80 mm	mm
TOTAL HEAD	Max. 17.5 m	m
CAPACITY	Max. 0.42 m ³ /min	m ³ /min
MOTOR OUTPUT	1.5 kW	kW
PHASE x VOLTAGE	1 ϕ x V	ϕ x V
CURRENT	A	A
POLES / REVOLUTION	2 P / s. s. 3000 min ⁻¹	P / min ⁻¹
STARTING METHOD	CAPACITOR START	
INSULATION CLASS	B	

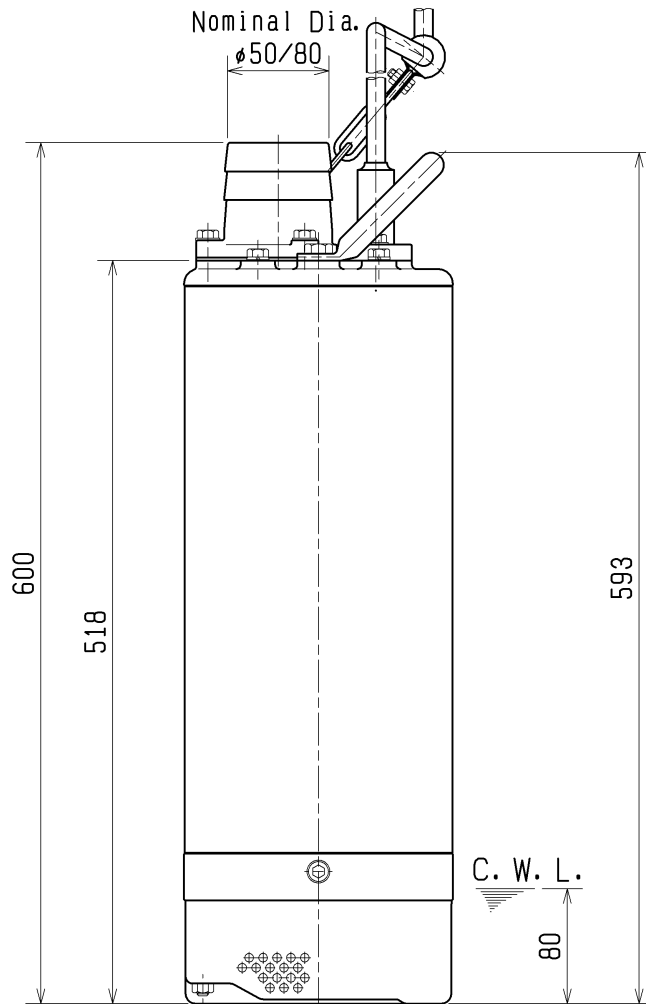
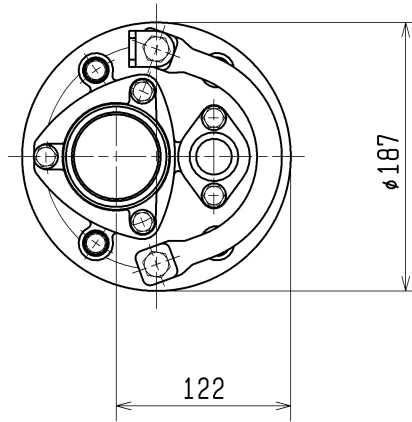


TSURUMI MFG. CO., LTD.

DIMENSION DRAWING		No.	No.	A-16076-2
TYPE	Submersible Portable Pump	MODEL	LB-1500 -50/60	LBT-1500 -50/60

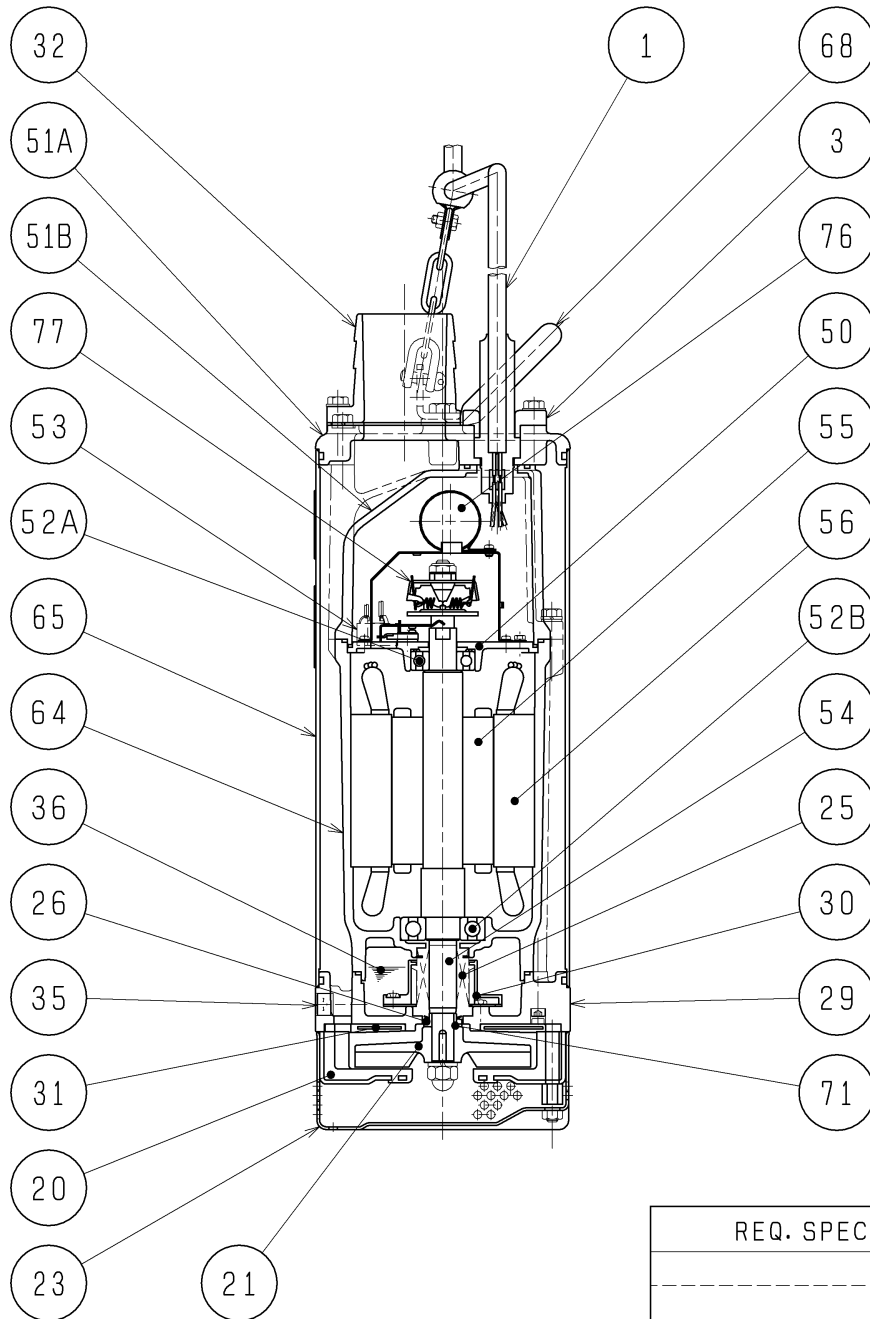
MODEL	Approximate Weight (※)
LB-1500 -50/60	33kg
LBT-1500-50/60	32kg

※excluding cable



C.W.L. :Continuous Running Water Level

SECTIONAL DRAWING		No.	No. A-16077-3
TYPE	Submersible Portable Pump	MODEL	LB-1500 -50/60



REQ. SPECIFICATION

※ the wetted part

No.	DESCRIPTION	Q'TY	MATERIAL / NOTE	No.	DESCRIPTION	Q'TY	MATERIAL / NOTE
1	Cabtyre Cable	1	Chloroprene Sheath	51A	Head Cover	1	Aluminium Die Casting
3	Gland	1	Aluminium Die Casting	51B	Motor Head Cover	1	Aluminium Die Casting
20	Pump Casing	1	Butadiene Rubber + Natural Rubber	52A	Upper Bearing	1	6204ZFC3
21	Impeller	1	Chromium Iron Casting	52B	Lower Bearing	1	6305ZFC3
23	Strainer Stand	1	Steel Sheet	53	Motor Protector	1	
25	Mechanical Seal	1	H-20T	54	Shaft	1	Stainless Steel 403(※)
26	V-ring	1	Nitrile Butadien Rubber	55	Rotor	1	
29	Oil Casing	1	Gray Iron Casting	56	Stator	1	
30	Oil Lifter	1	Plastic	64	Motor Frame	1	Aluminium Die Casting
31	Wearing Plate	1	Butadiene Rubber + Natural Rubber	65	Outer Cover	1	Steel Sheet
32	Hose Coupling	1	Aluminium Die Casting	68	Handle	1	Carbon Steel Pipe
35	Oil Plug	1	Stainless Steel 304	71	Shaft Sleeve	1	Stainless Steel 304
36	Lubricant		Turbine Oil (ISO VG32)	76	Capacitor	1	
50	Motor Bracket	1	Aluminium Die Casting	77	Centrifugal Switch	1	