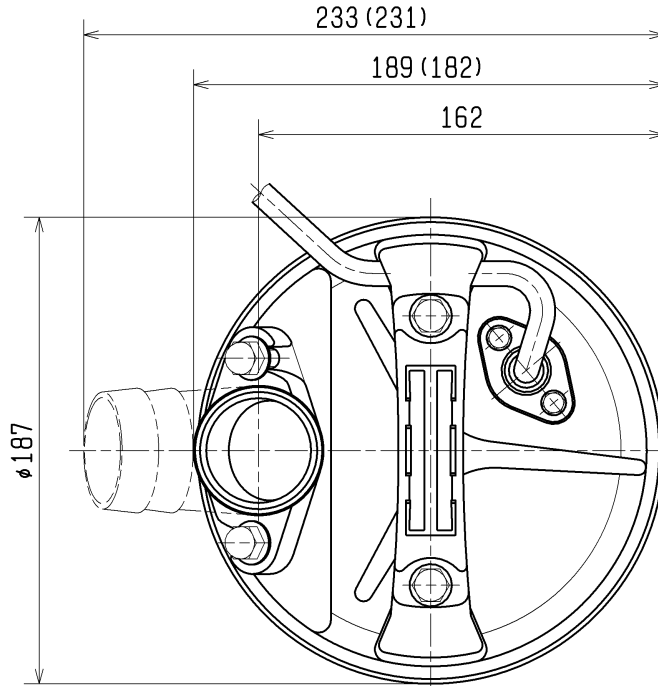


SPECIFICATIONS	Model	LB-480							
		LB-series 0.48kW, 1-phase							
<p>Type of Pump Submersible drainage pump for construction and foundation works, floodwater drainage, etc.</p> <p>Type of Fluid Stormwater, groundwater, wash water, and sand-carrying water</p> <p>Temperature: 0 to 40°C</p> <p>Discharge Bore & Connection 50mm, Hose Coupling</p> <p>Motor Output 0.48kW</p> <p>Power Supply Single-phase</p> <p>Starting Method Capacitor Run</p> <p>Motor Continuous-duty rated, dry-type induction motor</p> <p>Insulation Class: E Degree of Protection: IP68</p> <p>No. of Poles & Speed (Synchronous Speed) 2-pole, 3000/3600min⁻¹ (50/60Hz)</p> <p>Power Supply Voltages & Rated Currents</p> <table border="0"> <tr> <td>50Hz</td> <td>60Hz</td> </tr> <tr> <td>220V – 3.1A</td> <td>110V – 6.1A</td> </tr> <tr> <td>230V – 2.9A</td> <td>220V – 3.0A</td> </tr> <tr> <td>240V – 2.7A</td> <td></td> </tr> </table> <p>Power Cable Sheath: PVC Standard Length: 5m 100 to 240V supply: 1 x 3 x 1.25mm², O.D. 10.1mm</p> <p>Dry Weight (excluding cable) 10.4kg</p>	50Hz	60Hz	220V – 3.1A	110V – 6.1A	230V – 2.9A	220V – 3.0A	240V – 2.7A		<p>Impeller Vortex impeller deigned for “high-gap structure”, made of urethane rubber</p> <p>Solids Passage 50Hz – ϕ6mm 60Hz – ϕ6mm</p> <p>Cable Entry with Anti-Wicking Block Watertight cable entry with strain-relief device. The anti-wicking block prevents water incursion due to capillary action should the power cable be damaged or the end submerged.</p> <p>Bearing Permanently lubricated, deep-groove, double-shielded C3 ball bearings</p> <p>Shaft 403 stainless steel</p> <p>Shaft Seal (Mechanical Seal) Furnished with a double-face mechanical seal located in oil chamber. Both upper and lower seal faces always run in a clean environment.</p> <p>Upper Seal Face: Ceramic + Carbon Lower Seal Face: SiC + Ceramic</p> <p>OIL LIFTER (Patented) Equipped in oil chamber. It forcibly supplies lubricating oil to the mechanical seal and continues to supply the oil to the upper seal faces even if lubricant falls below the rated volume.</p> <p>Type of Lubricating Oil & Volume Turbine Oil (ISO VG32), 155ml</p> <p>Motor Protection Device A miniature thermal protector is embedded in each winding of the motor. Should excessive heat builds up, the bimetal strip opens to cause the control panel to shut the power supply.</p>
50Hz	60Hz								
220V – 3.1A	110V – 6.1A								
230V – 2.9A	220V – 3.0A								
240V – 2.7A									

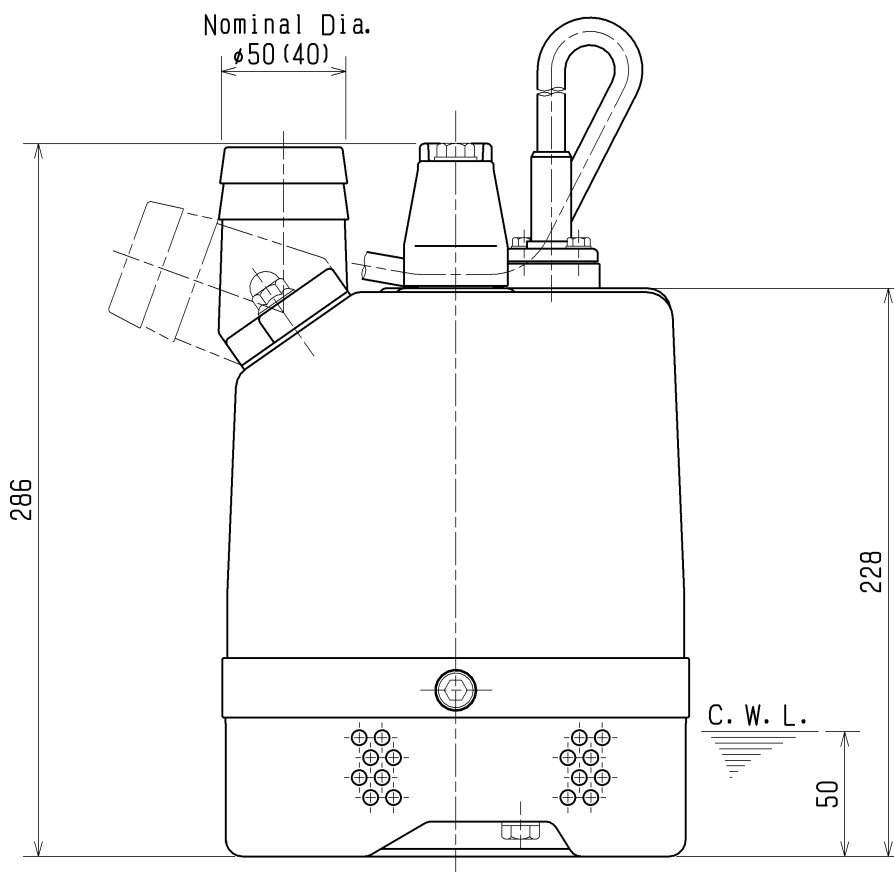
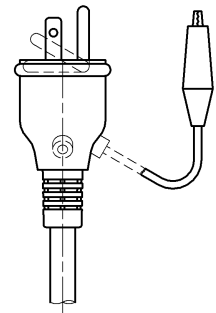
DIMENSION DRAWING		No.	No.	A-11883-3
TYPE	Submersible General Dewatering Portable Pump	MODEL	LB-250 -52/62 LB-480 -52/62	

MODEL	Approximate Weight (kg)
LB-250-52/62	10.4kg
LB-480-52/62	10.4kg

※excluding cable

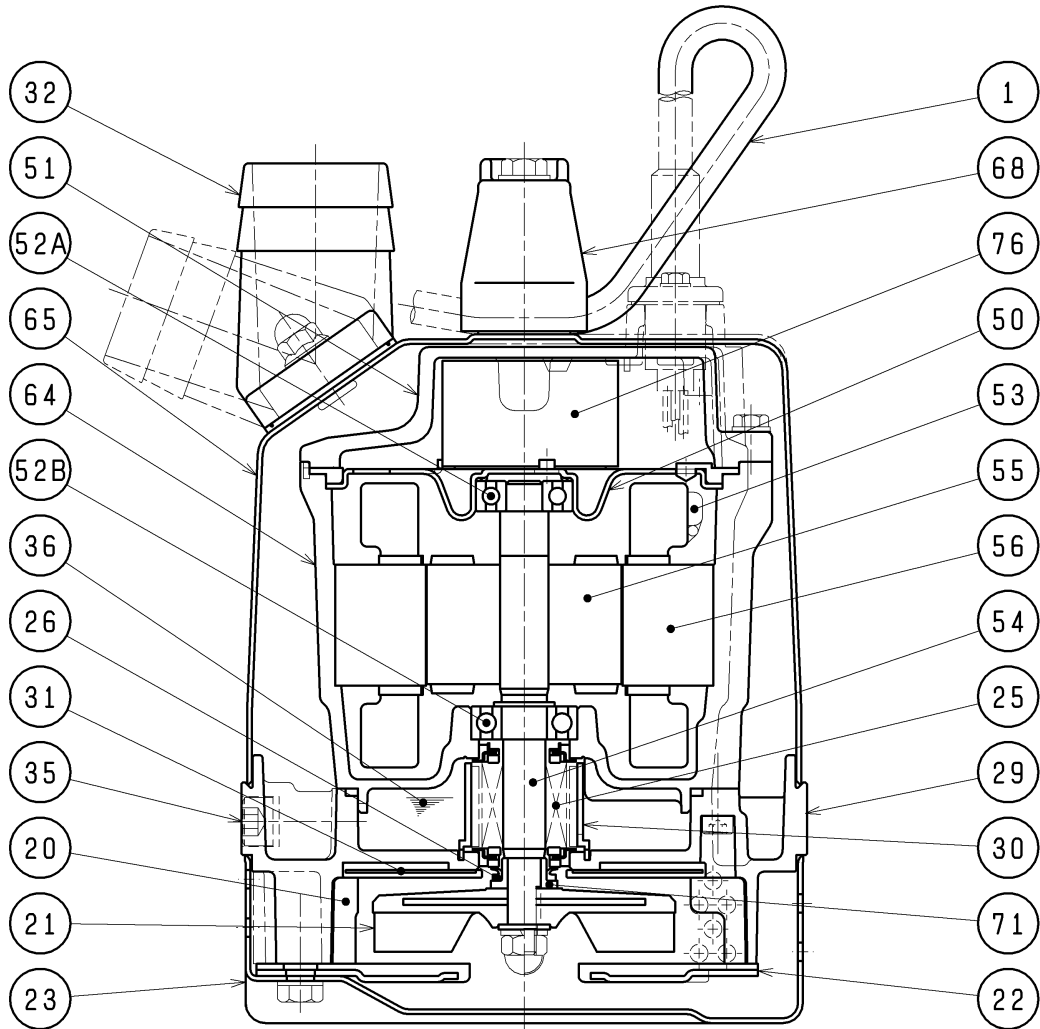


The shape of the plug



The Figure in () shows the dimensions of LB-250. C.W.L.:Continuous running Water Level

SECTIONAL DRAWING		No.	No.	A-11888-4
TYPE	Submersible General Dewatering Portable Pump	MODEL	LB-250 -52/62 LB-480 -52/62	



REQ. SPECIFICATION

No.	DESCRIPTION	QTY	MATERIAL / NOTE	No.	DESCRIPTION	QTY	MATERIAL / NOTE
1	Cabtyre Cable	1	PVC Sheath	51	Motor Head Cover	1	Aluminium Die Casting
20	Pump Casing	1	Ethylene Propylene Rubber	52A	Upper Bearing	1	6201ZCC3
21	Impeller	1	Urethane Rubber	52B	Lower Bearing	1	6202ZCC3
22	Suction Cover	1	Steel Plate + Urethane Rubber	53	Motor Protector	1	
23	Strainer Stand	1	Steel Sheet	54	Shaft	1	Stainless Steel 403
25	Mechanical Seal	1	W-14VC	55	Rotor	1	
26	V-ring	1	Nitrile Butadien Rubber	56	Stator	1	
29	Oil Casing	1	Aluminium Die Casting	64	Motor Frame	1	Aluminium Die Casting
30	Oil Lifter	1	Plastic	65	Outer Cover	1	Steel Sheet
31	Wearing Plate	1	Urethane Rubber	68	Handle	1	Plastic
32	Hose Coupling	1	Aluminium Die Casting	71	Shaft Sleeve	1	Stainless Steel 304
35	Oil Plug	1	Stainless Steel 304	76	Capacitor	1	
36	Lubricant		Turbine Oil (ISD VG32)				
50	Motor Bracket	1	Steel Sheet				