

SPECIFICATIONS	Model	NK-series
		1.5kW, 1-phase

<p><b>Type of Pump</b> Submersible drainage pump for construction and foundation works, floodwater drainage, etc.</p> <p><b>Type of Fluid</b> Stormwater, groundwater, wash water, and sand-carrying water</p> <p>Temperature: 0 to 40°C</p> <p><b>Discharge Bore &amp; Connection</b> 50mm, Hose Coupling</p> <p><b>Motor Output</b> 1.5kW</p> <p><b>Power Supply</b> Single-phase</p> <p><b>Starting Method</b> Capacitor Start</p> <p><b>Motor</b> Continuous-duty rated, dry-type induction motor</p> <p>Insulation Class: B Degree of Protection: IP68</p> <p>No. of Poles &amp; Speed (Synchronous Speed) 2-pole, 3000/3600min<sup>-1</sup> (50/60Hz)</p> <p>Power Supply Voltages &amp; Rated Currents</p> <table border="0"> <tr> <td>50Hz</td> <td>60Hz</td> </tr> <tr> <td>220V – 11.0A</td> <td>110V – 23.0A</td> </tr> <tr> <td>230V – 12.0A</td> <td>220V – 11.5A</td> </tr> <tr> <td>240V – 13.0A</td> <td></td> </tr> </table> <p><b>Power Cable</b> Sheath: Chloroprene rubber Standard Length: 10m 200 to 240V supply: 1 x 3 x 2.0mm<sup>2</sup>, O.D. 14.4mm 100 to 120V supply: 1 x 3 x 5.5mm<sup>2</sup>, O.D. 15.6mm</p> <p><b>Dry Weight (excluding cable)</b> 29kg</p>	50Hz	60Hz	220V – 11.0A	110V – 23.0A	230V – 12.0A	220V – 11.5A	240V – 13.0A		<p><b>Impeller</b> Vortex impeller deigned for “high-gap structure”, made of ductile cast iron</p> <p>Solids Passage 50Hz – <math>\phi</math>8.5mm 60Hz – <math>\phi</math>8.5mm</p> <p><b>Cable Entry with Anti-Wicking Block</b> Watertight cable entry with strain-relief device. The anti-wicking block prevents water incursion due to capillary action should the power cable be damaged or the end submerged.</p> <p><b>Bearing</b> Permanently lubricated, deep-groove, double-shielded C3 ball bearings</p> <p><b>Shaft</b> 403 stainless steel</p> <p><b>Shaft Seal (Mechanical Seal)</b> Furnished with a double-face mechanical seal located in oil chamber. Both upper and lower seal faces always run in a clean environment.</p> <p>Upper Seal Face: SiC + SiC Lower Seal Face: SiC + SiC</p> <p><b>OIL LIFTER (Patented)</b> Equipped in oil chamber. It forcibly supplies lubricating oil to the mechanical seal and continues to supply the oil to the upper seal faces even if lubricant falls below the rated volume.</p> <p>Type of Lubricating Oil &amp; Volume Turbine Oil (ISO VG32), 270ml</p> <p><b>Motor Protection Device</b> A circle thermal protector built in the motor housing. Directly cuts the motor circuit if excessive heat builds up or an overcurrent condition occurs in the motor.</p>
50Hz	60Hz								
220V – 11.0A	110V – 23.0A								
230V – 12.0A	220V – 11.5A								
240V – 13.0A									

NO. A-20628-1

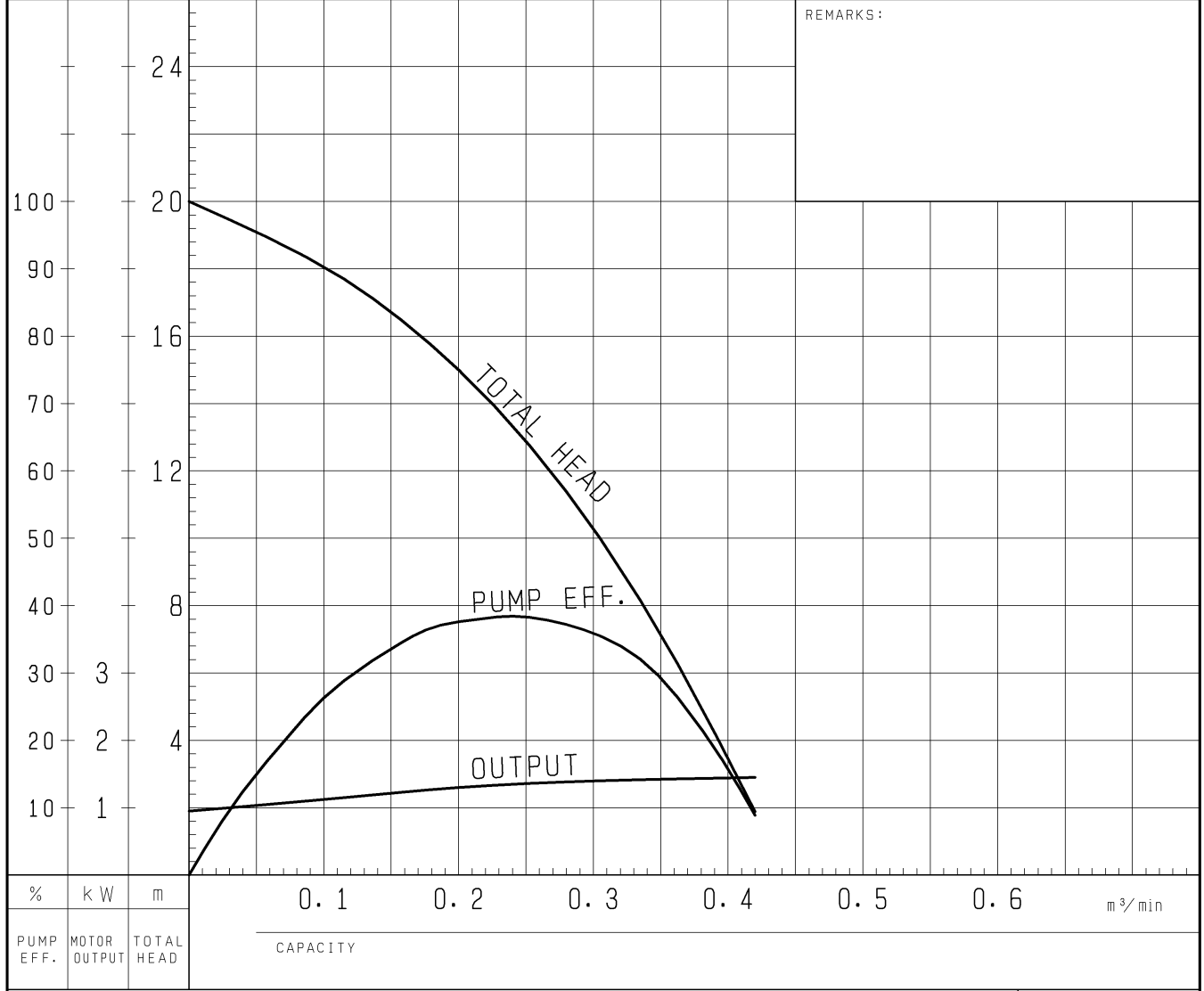
# PUMP PERFORMANCE CURVES

TYPE SUBMERSIBLE GENERAL DEWATERING TORQUE FLOW PUMP	MODEL NK2-15	FREQUENCY 50 Hz
---	--------------	-----------------

CUSTOMER'S NAME \_\_\_\_\_

EQUIPMENT TITLE \_\_\_\_\_ NO. \_\_\_\_\_

	STANDARD SPECIFICATIONS	REQUIRED SPECIFICATIONS
DISCHARGE BORE	50 mm	mm
TOTAL HEAD	MAX. 20 m	m
CAPACITY	MAX. 0.42 m <sup>3</sup> /min	m <sup>3</sup> /min
MOTOR OUTPUT	1.5 kW	kW
PHASE x VOLTAGE	1 $\phi$ x V	$\phi$ x V
CURRENT	A	A
POLES / REVOLUTION	2 P / S. S. 3000 min <sup>-1</sup>	P / min <sup>-1</sup>
STARTING METHOD	CAPACITOR START	
INSULATION CLASS	B	

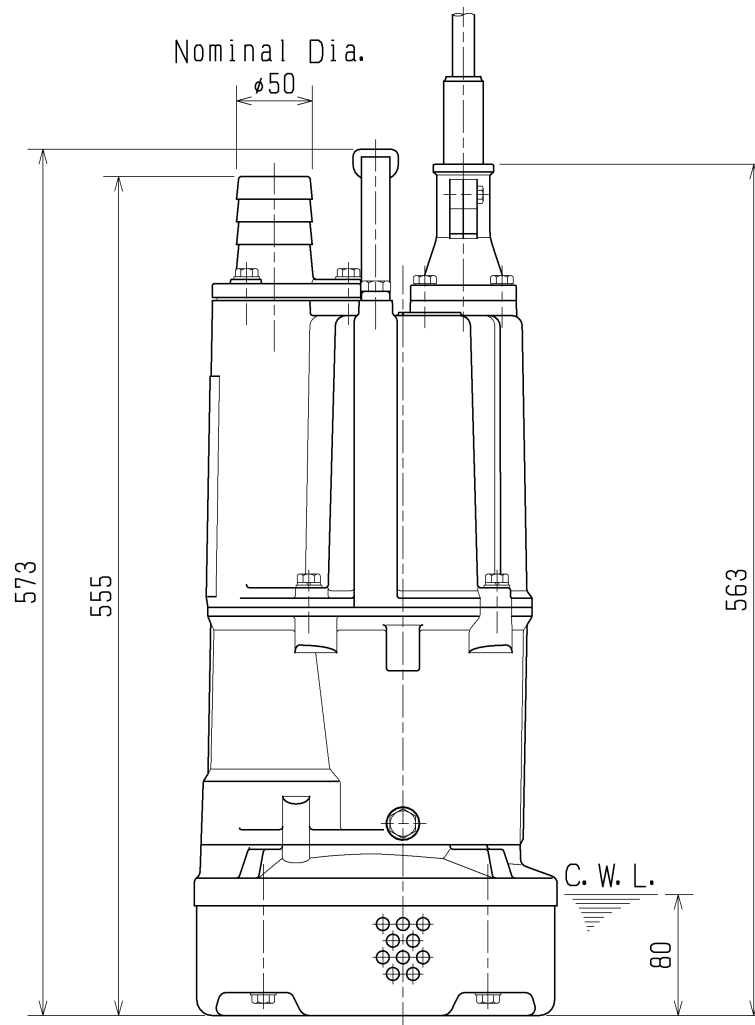
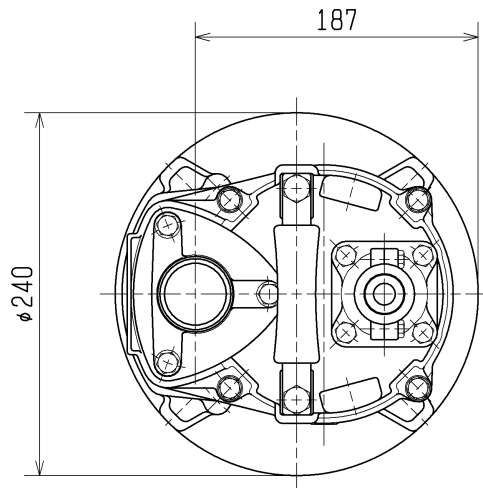


TSURUMI MFG. CO., LTD.

DIMENSION DRAWING		No.	No.	A-20632-1
TYPE	SUBMERSIBLE GENERAL DEWATERING TORQUE FLOW PUMP	MODEL	NK2-15 NK2-22	

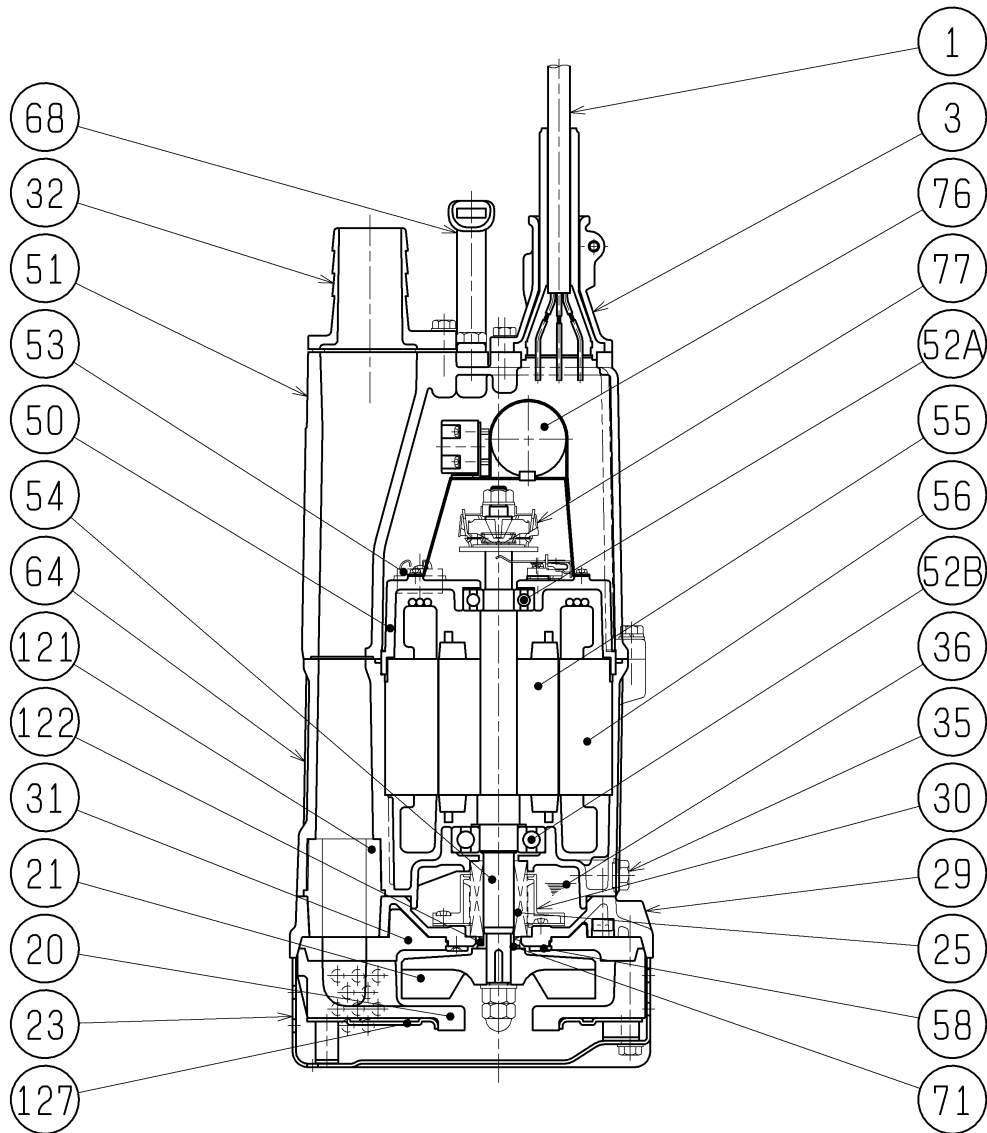
MODEL	Approximate Weight (※)
NK2-15	29kg
NK2-22	29kg

※excluding cable



C. W. L. :Continuous running Water Level

<b>SECTIONAL DRAWING</b>		No.	No. A-20633-2
TYPE	SUBMERSIBLE GENERAL DEWATERING TORQUE FLOW PUMP	MODEL	NK2-15



REQ. SPECIFICATION

No.	DESCRIPTION	QTY	MATERIAL / NOTE	No.	DESCRIPTION	QTY	MATERIAL / NOTE
1	Cabtyre Cable	1	Chloroprene Sheath	53	Motor Protector	1	
3	Stuffing Box	1	Aluminium Die Casting	54	Shaft	1	Stainless Steel 403
20	Pump Casing	1	Butadiene Rubber + Natural Rubber	55	Rotor	1	
21	Impeller	1	Ductile Iron Casting	56	Stator	1	
23	Strainer	1	Steel Sheet	58	Protection Plate	1	Stainless Steel 304
25	Mechanical Seal	1	H-20T	64	Motor Frame	1	Aluminium Die Casting
29	Oil Casing	1	Aluminium Die Casting	68	Handle	1	Steel Sheet & Rubber
30	Oil Lifter	1	Plastic	71	Shaft Sleeve	1	Stainless Steel 304
31	Rear Liner	1	Butadiene Rubber	76	Capacitor	1	
32	Hose Coupling	1	Aluminium Die Casting	77	Centrifugal Switch	1	
35	Oil Plug	1	Stainless Steel 304	121	Packing	1	Styrene Butadiene Rubber
36	Lubricant		Turbine Oil (ISO VG32)	122	V-ring	1	Nitrile Butadiene Rubber
50	Motor Bracket	1	Gray Iron Casting	127	Fittings	1	Steel Sheet
51	Head Cover	1	Aluminium Die Casting				
52A	Upper Bearing	1	6204ZZC3				
52B	Lower Bearing	1	6305ZZC3				