

SPECIFICATIONS	Model	40PSF2.25	PSF-series
			0.25kW, 3-phase

<p>Type of Pump Submersible high-head pump made of 304 stainless steel and resin suitable for pumping wastewater and storm water</p> <p>Type of Fluid Wastewater and water carrying small solid matters</p> <p>Temperature: 0 to 40°C</p> <p>Discharge Bore 40mm</p> <p>Motor Output 0.25kW</p> <p>Power Supply Three-phase</p> <p>Starting Method Direct on Line</p> <p>Motor Continuous-duty rated, dry-type induction motor</p> <p>Insulation Class: E Degree of Protection: IP68</p> <p>No. of Poles & Speed (Synchronous Speed) 2-pole, 3000/3600min⁻¹ (50/60Hz)</p> <p>Power Supply Voltages & Rated Currents</p> <table border="0"> <tr> <td>50Hz</td> <td>60Hz</td> </tr> <tr> <td>380V – 0.9A</td> <td>220V – 1.6A</td> </tr> <tr> <td>400V – 0.9A</td> <td>380V – 0.9A</td> </tr> <tr> <td>415V – 1.0A</td> <td>440V – 0.8A</td> </tr> </table> <p>Power Cable Sheath: PVC Standard Length: 6m 200 to 600V supply: 1 × 4 × 1.25mm², O.D. 11.1mm</p> <p>Dry Weight (excluding cable) Standard Model: 6.2kg Auto & Auto-Alternation Model: 6.9kg</p>	50Hz	60Hz	380V – 0.9A	220V – 1.6A	400V – 0.9A	380V – 0.9A	415V – 1.0A	440V – 0.8A	<p>Impeller Shrouded, two-channel impeller made of glass-fiber reinforced PPO</p> <p>Solids Passage 50Hz – ø8mm 60Hz – ø8mm</p> <p>Cable Entry with Anti-Wicking Block Watertight cable entry with strain-relief device. The anti-wicking block prevents water incursion due to capillary action should the power cable be damaged or the end submerged.</p> <p>Bearings Permanently lubricated, deep-groove, double-shielded C3 ball bearings</p> <p>Shaft 304 stainless steel</p> <p>Shaft Seal (Mechanical Seal) Furnished with a double-face mechanical seal located in oil chamber. Both upper and lower seal faces always run in a clean environment.</p> <p>Upper Seal Faces: Ceramic + Carbon Lower Seal Faces: SiC + Ceramic</p> <p>OIL LIFTER (Patented) Equipped in oil chamber. It forcibly supplies lubricating oil to the mechanical seal and continues to supply the oil to the upper seal faces even if lubricant falls below the rated volume.</p> <p>Type of Lubricating Oil & Volume Liquid Paraffin (ISO VG32), 240ml</p> <p>Motor Protection Device A circle thermal protector built in the motor housing. Directly cuts the motor circuit if excessive heat builds up or an overcurrent condition occurs in the motor.</p>
50Hz	60Hz								
380V – 0.9A	220V – 1.6A								
400V – 0.9A	380V – 0.9A								
415V – 1.0A	440V – 0.8A								

Optional Accessories

- TOK Set** (Guide Rail Fitting Type)
- Duckfoot Bend
 - Guide Support
 - Guide Hook
 - Lifting Chain 4m (with Shackles)

NO. A-09965-1

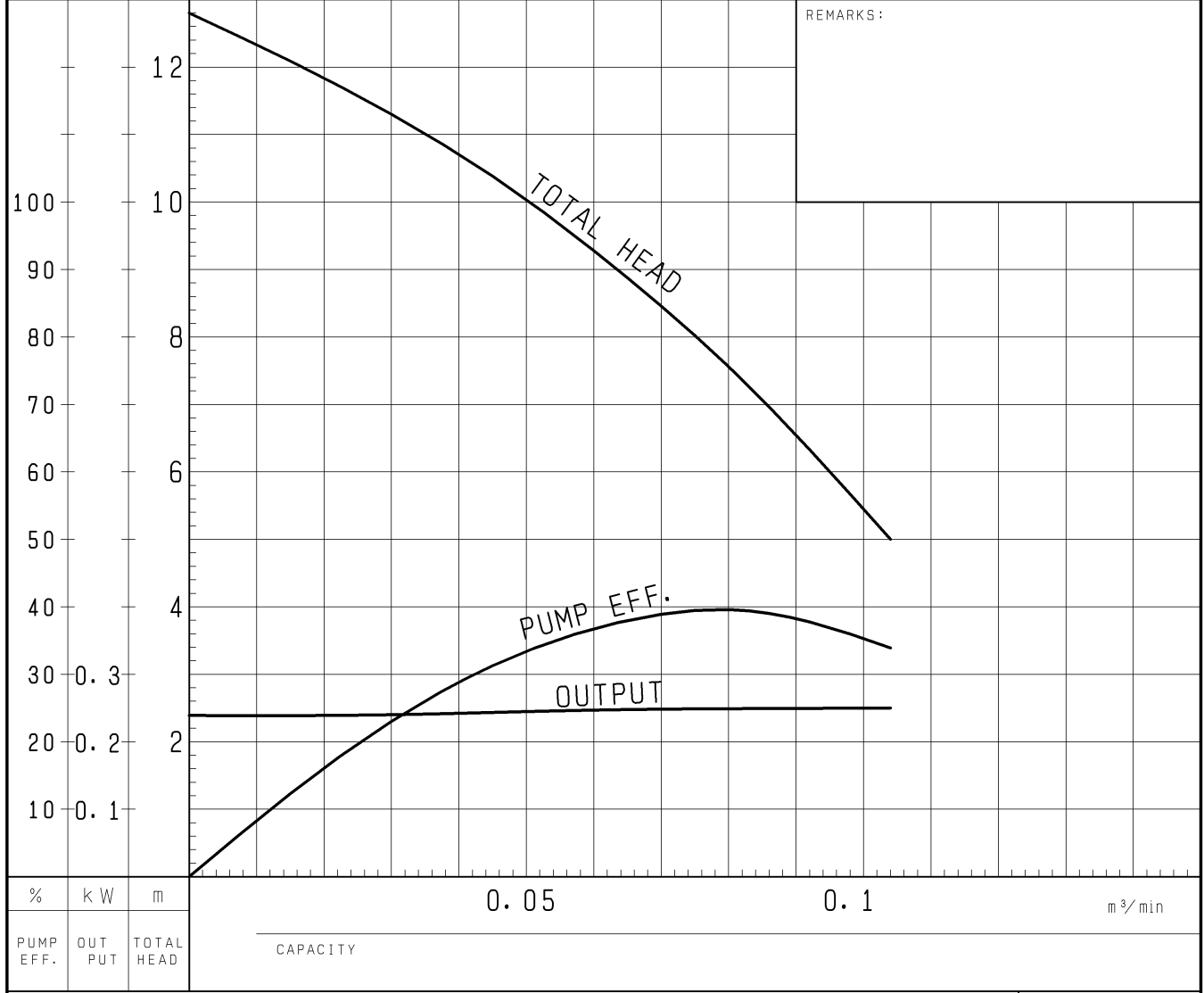
PUMP PERFORMANCE CURVES

TYPE Waste Water Submersible Centrifugal Pump	MODEL 40PSF2.25 -52, 40PSFA2.25 -52 40PSFW2.25 -52	FREQUENCY 50 Hz
--	---	--------------------

CUSTOMER'S NAME _____

EQUIPMENT TITLE _____ NO. _____

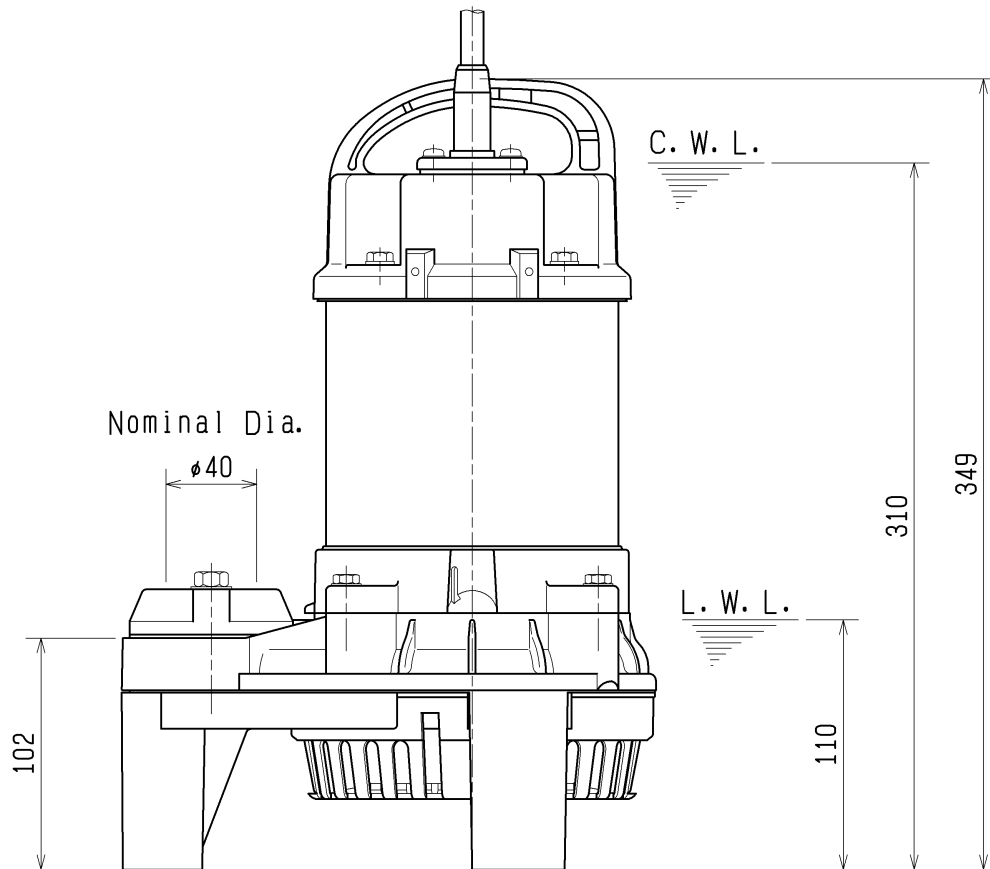
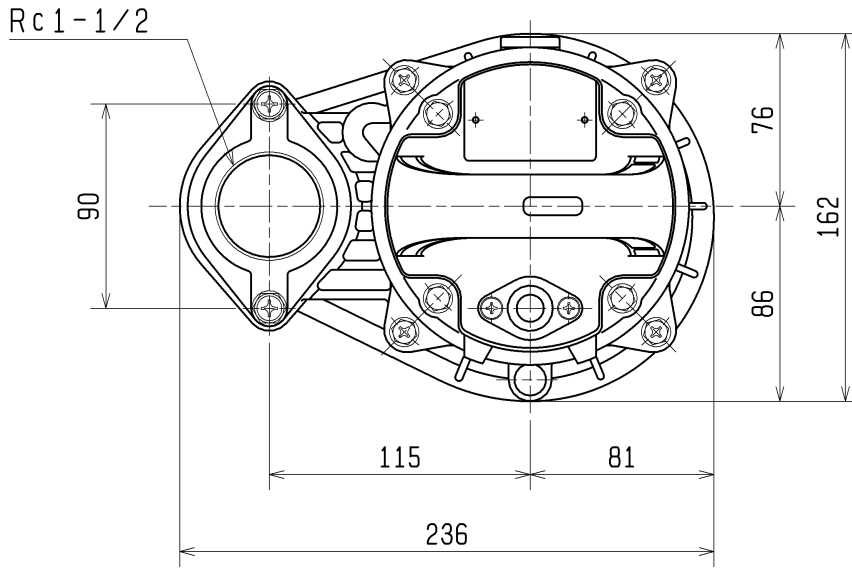
	STANDARD SPECIFICATIONS	REQUIRED SPECIFICATIONS
DISCHARGE BORE	40 mm	mm
TOTAL HEAD	10.0 m	m
CAPACITY	0.05 m ³ /min	m ³ /min
MOTOR OUTPUT	0.25 kW	kW
PHASE x VOLTAGE	3 φ x V	φ x V
CURRENT	A	A
POLES / REVOLUTION	2 P / S. S. 3000 min ⁻¹	P / min ⁻¹
STARTING METHOD	DIRECT ON LINE	
INSULATION CLASS	E	



TSURUMI MFG. CO., LTD.

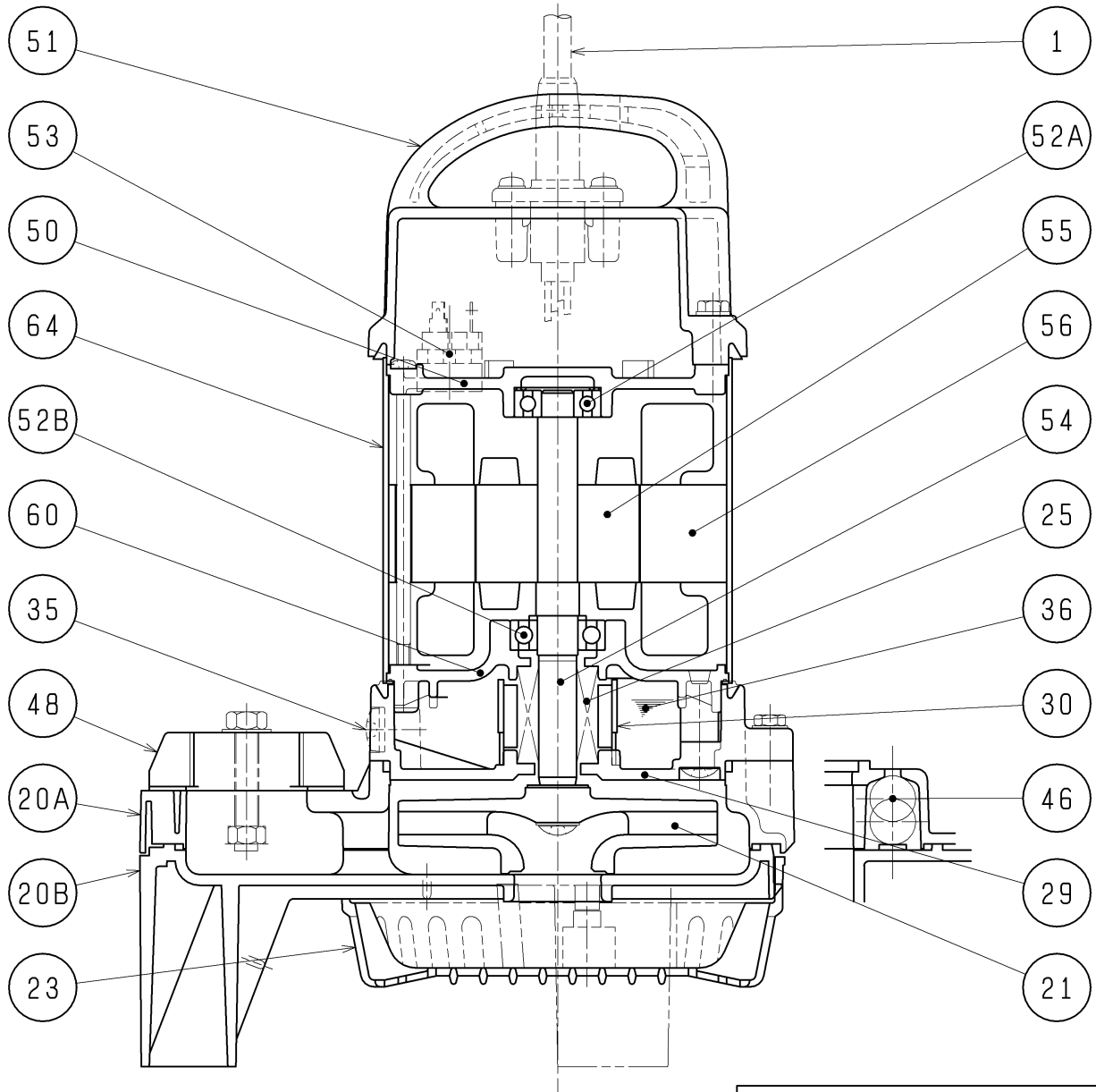
DIMENSION DRAWING		No.	No. A-10007-2
TYPE	Waste Water Submersible Centrifugal Pump	MODEL	40PSF2.25 -52/62

Approximate Weight (※)
6.2kg
※excluding cable



C. W. L. : Continuous running Water Level
 L. W. L. : Lowest running Water Level

SECTIONAL DRAWING		No.	No. A-10034-3
TYPE	Waste Water Submersible Centrifugal Pump	MODEL	40PSF2.25 -52/62, 40PSF2.4 -52/62 50PSF2.75 -52/62



REQ. SPECIFICATION

※ Upper and lower blocks form a one-piece casing.

No.	DESCRIPTION	QTY	MATERIAL / NOTE	No.	DESCRIPTION	QTY	MATERIAL / NOTE
1	Cable	1	PVC Sheath	51	Head Cover	1	Plastic W/GF
20A	Upper Pump Casing	※1	Plastic W/GF	52A	Upper Bearing	1	6201ZZC3
20B	Lower Pump Casing	1	Plastic	52B	Lower Bearing	1	0.25/0.4kW:6202ZZC3 0.75kW :6302ZZC3
21	Impeller	1	Plastic W/GF	53	Motor Protector	1	
23	Strainer	1	Plastic	54	Shaft	1	Stainless Steel 304
25	Mechanical Seal	1	W-14HC	55	Rotor	1	
29	Oil Casing	1	Plastic W/GF	56	Stator	1	
30	Oil Lifter	1	Plastic	60	Bearing Housing	1	Aluminium Die Casting
35	Oil Plug	1	Stainless Steel 304	64	Motor Frame	1	Stainless Steel 304
36	Lubricant		Liquid Paraffin (ISO VG32)				
46	Air Release Valve	1	Glass Ball				
48	Screwed Flange	1	Plastic W/GF				
50	Motor Bracket	1	Aluminium Die Casting				