

| SPECIFICATIONS | Model | 80SFQ211 | | | | | | | |
|---|--------------|---------------|--------------|--------------|--------------|--------------|--------------|--------------|---|
| | | SFQ-series | | | | | | | |
| | | 11kW, 3-phase | | | | | | | |
| <p>Type of Pump Submersible corrosion-resistant pump made of cast 316 stainless steel suitable for pumping aggressive or corrosive liquid</p> <p>Type of Fluid Wastewater and water with corrosive nature</p> <p>Temperature: 0 to 40°C (High temperature model available on special request)</p> <p>Discharge Bore 80mm</p> <p>Motor Output 11kW</p> <p>Power Supply Three-phase</p> <p>Starting Method Star-Delta</p> <p>Motor Continuous-duty rated, dry-type induction motor</p> <p>Insulation Class: F Degree of Protection: IP68</p> <p>No. of Poles & Speed (Synchronous Speed) 2-pole, 3000/3600min⁻¹ (50/60Hz)</p> <p>Power Supply Voltages & Rated Currents</p> <table border="0"> <tr> <td>50Hz</td> <td>60Hz</td> </tr> <tr> <td>380V – 22.5A</td> <td>220V – 35.8A</td> </tr> <tr> <td>400V – 21.0A</td> <td>380V – 20.7A</td> </tr> <tr> <td>415V – 21.0A</td> <td>440V – 17.9A</td> </tr> </table> <p>Power Cable Sheath: Chloroprene rubber Standard Length: 8m 200 to 600V supply: 1 × 4 × 3.5mm², O.D. 14.1mm 1 × 3 × 3.5mm², O.D. 12.9mm 1 × 2 × 1.25mm², O.D. 9.8mm</p> <p>Dry Weight (excluding cable) Free Standing Type: 143kg Guide Rail Fitting Type: 132kg</p> | 50Hz | 60Hz | 380V – 22.5A | 220V – 35.8A | 400V – 21.0A | 380V – 20.7A | 415V – 21.0A | 440V – 17.9A | <p>Impeller Semi-open multi-vane impeller made of cast 316 stainless steel, dynamically balanced</p> <p>Solids Passage 50Hz – ϕ23mm 60Hz – ϕ23mm</p> <p>Cable Entry with Anti-Wicking Block Watertight cable entry with strain-relief device. The anti-wicking block prevents water incursion due to capillary action should the power cable be damaged or the end submerged.</p> <p>Bearings Permanently lubricated, deep-groove, double-shielded C3 ball bearings</p> <p>Shaft 316 stainless steel</p> <p>Shaft Seal (Mechanical Seal) Furnished with a double-face mechanical seal located in oil chamber. Both upper and lower seal faces always run in a clean environment.</p> <p>Upper Seal Faces: SiC + SiC Lower Seal Faces: SiC + SiC</p> <p>Oil Seal (Lip Seal) Used as a “Dust Seal”, it protects the mechanical seal from abrasive particles.</p> <p>Pressure Relief Port Protects the mechanical seal from over rated limits, and also protects the seal faces from abrasive particles bydrawing particles away.</p> <p>OIL LIFTER (Patented) Equipped in oil chamber. It forcibly supplies lubricating oil to the mechanical seal and continues to supply the oil to the upper seal faces even if lubricant falls below the rated volume.</p> <p>Type of Lubricating Oil & Volume Turbine Oil (ISO VG32), 2250ml</p> <p>Motor Protection Device A miniature thermal protector is embedded in each winding of the motor. Should excessive heat builds up, the bimetal strip opens to cause the control panel to shut the power supply.</p> |
| 50Hz | 60Hz | | | | | | | | |
| 380V – 22.5A | 220V – 35.8A | | | | | | | | |
| 400V – 21.0A | 380V – 20.7A | | | | | | | | |
| 415V – 21.0A | 440V – 17.9A | | | | | | | | |
| <p>Optional Accessory</p> <p>External Leakage Sensor</p> | | | | | | | | | |
| TSURUMI MANUFACTURING CO., LTD. | | | | | | | | | |

NO. A-11594-1

PUMP PERFORMANCE CURVES

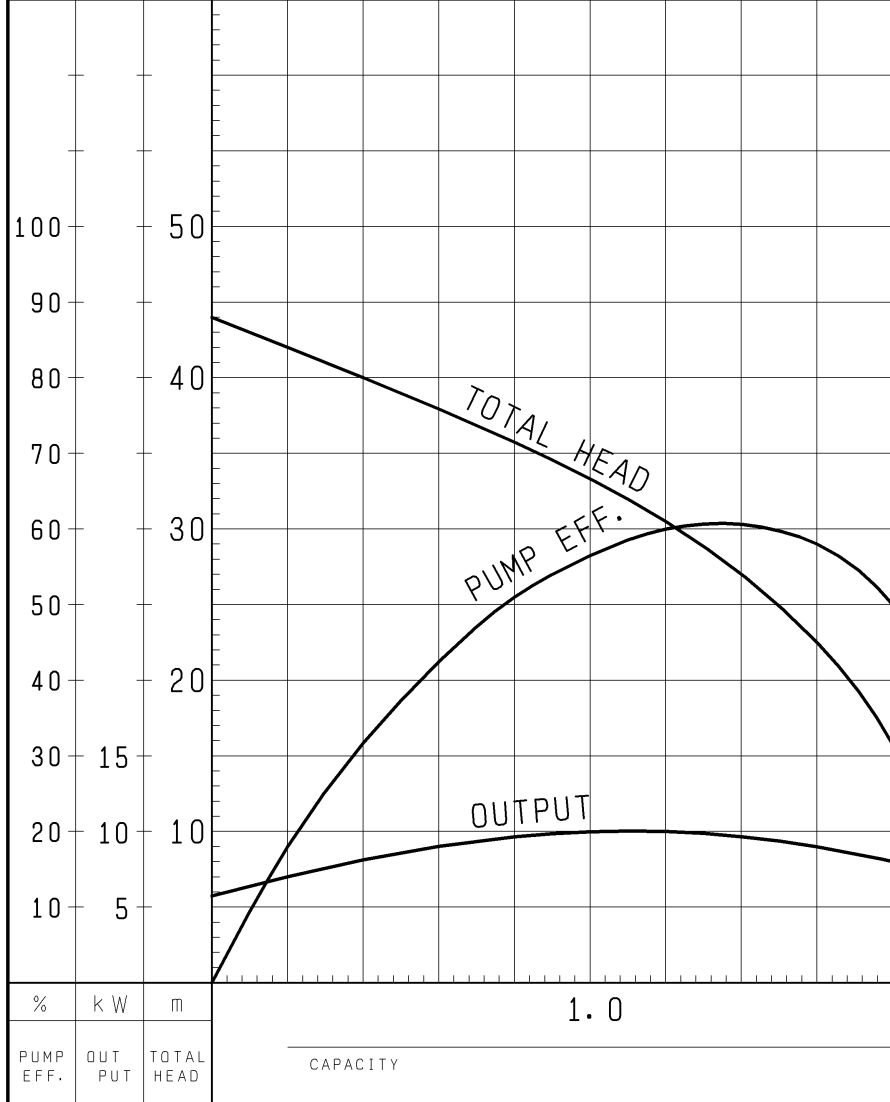
| | | |
|--|---------------------------------------|-----------------|
| TYPE Corrosion Resistant Submersible Stainless Steel Pump | MODEL 80SFQ211 -52 TOS80SFQ211 -52 | FREQUENCY 50 Hz |
|--|---------------------------------------|-----------------|

CUSTOMER'S NAME _____

EQUIPMENT TITLE _____ NO. _____

| | STANDARD SPECIFICATIONS | REQUIRED SPECIFICATIONS |
|--------------------|------------------------------------|-------------------------|
| DISCHARGE BORE | 80 mm | mm |
| TOTAL HEAD | 36 m | m |
| CAPACITY | 0.8 m ³ /min | m ³ /min |
| MOTOR OUTPUT | 11 kW | kW |
| PHASE x VOLTAGE | 3 ϕ x V | ϕ x V |
| CURRENT | A | A |
| POLES / REVOLUTION | 2 P / s. s. 3000 min ⁻¹ | P / min ⁻¹ |
| STARTING METHOD | STAR DELTA | |
| INSULATION CLASS | F | |

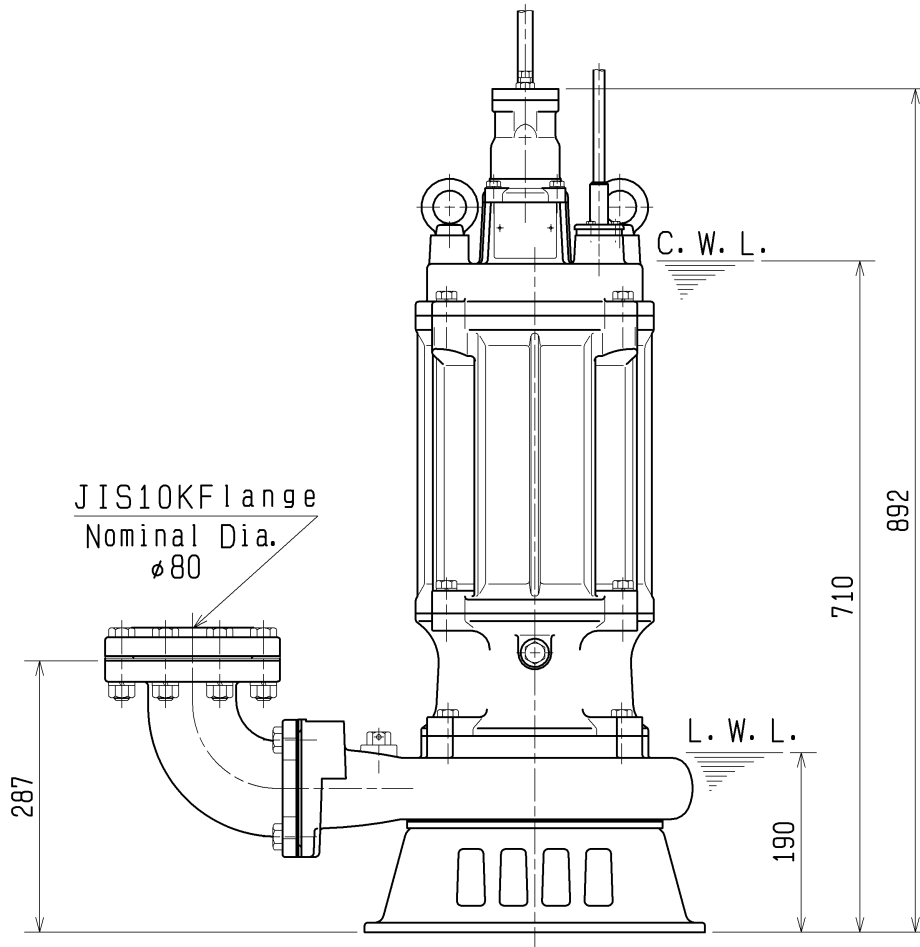
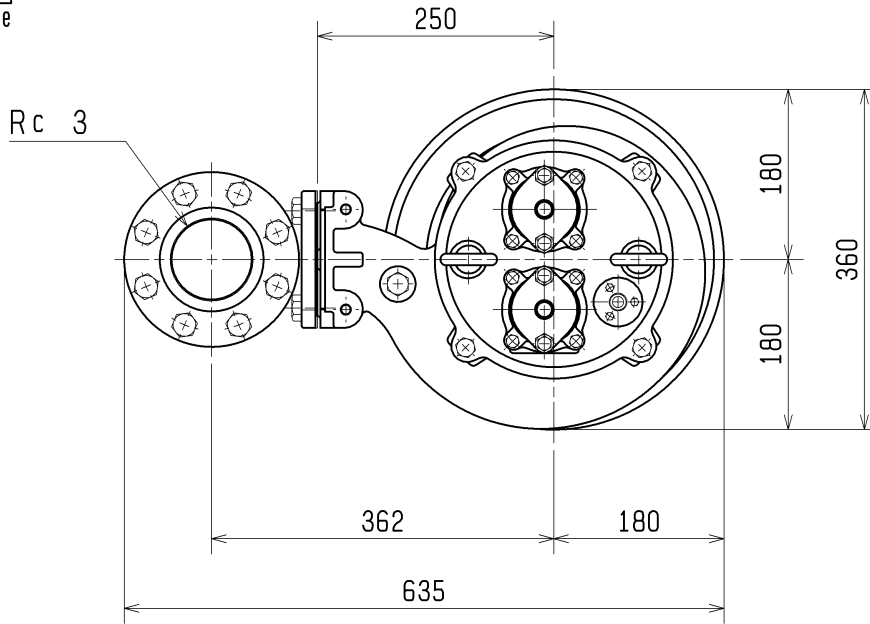
REMARKS:



TSURUMI MFG. CO., LTD.

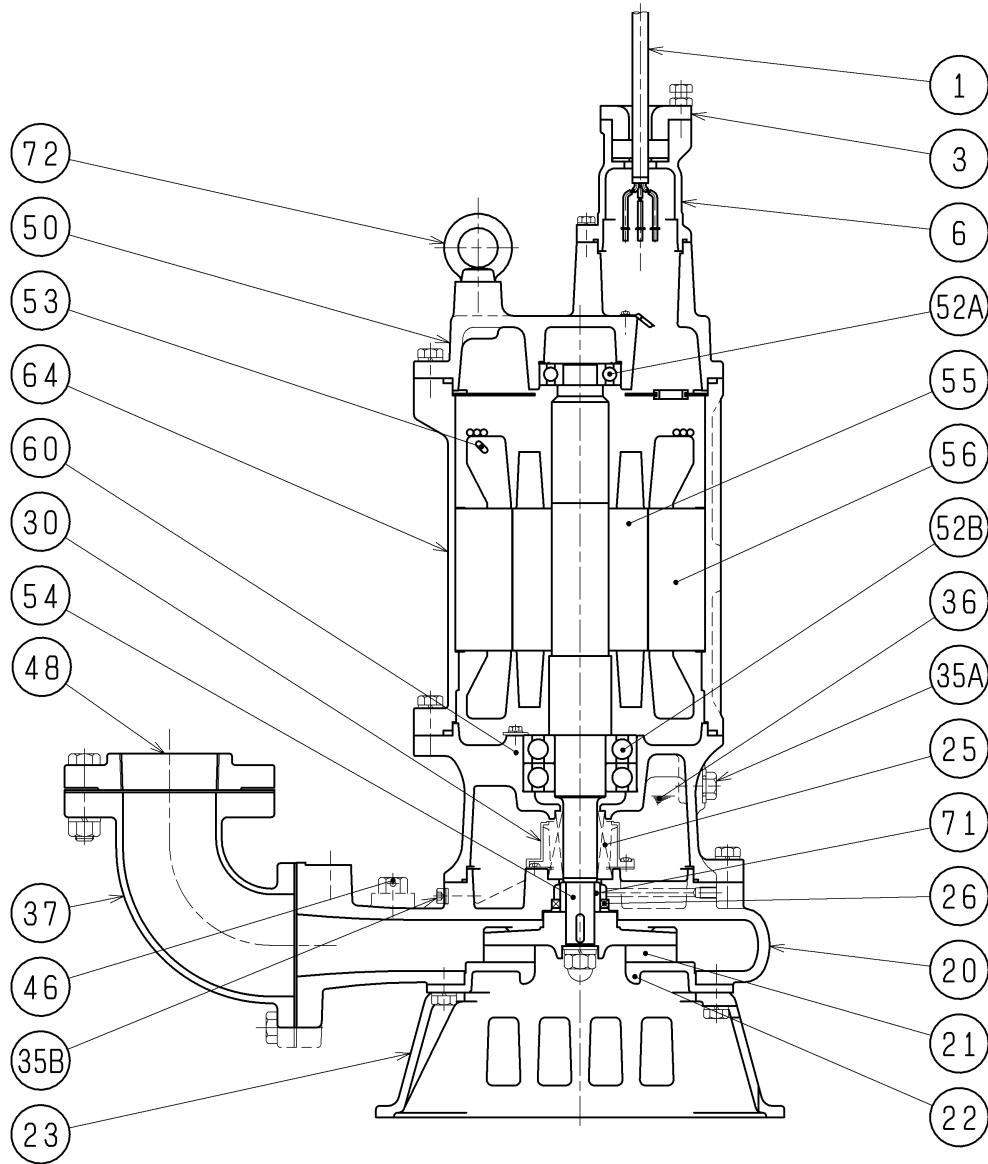
| | | | |
|-------------------|---|-------|-----------------|
| DIMENSION DRAWING | | No. | No. A-11598-2 |
| TYPE | Corrosion Resistant Submersible Stainless Steel Pump | MODEL | 80SFQ211 -52/62 |

Approximate
Weight(*)
143kg
*excluding cable



C. W. L. : Continuous Running Water Level
L. W. L. : Lowest Running Water Level

| | | | |
|--|--|-------|-----------------|
| SECTIONAL DRAWING | | No. | No. A-11602-2 |
| TYPE Corrosion Resistant Submersible Stainless Steel Pump | | MODEL | 80SFQ211 -52/62 |



| REQ. SPECIFICATION |
|--------------------|
| |
| |
| |

※ the wetted part

| No. | DESCRIPTION | QTY | MATERIAL / NOTE | No. | DESCRIPTION | QTY | MATERIAL / NOTE |
|-----|-----------------|-----|-------------------------|-----|-------------------|-----|-------------------------|
| 1 | Cabtyre Cable | 3 | Chloroprene Sheath | 46 | Air Release Valve | 1 | Stainless Steel 316 |
| 3 | Gland | 2 | Stainless Steel Casting | 48 | Screwed Flange | 1 | Stainless Steel Casting |
| 6 | Stuffing Box | 2 | Stainless Steel Casting | 50 | Motor Bracket | 1 | Stainless Steel Casting |
| 20 | Pump Casing | 1 | Stainless Steel Casting | 52A | Upper Bearing | 1 | 6306ZZC3 |
| 21 | Impeller | 1 | Stainless Steel Casting | 52B | Lower Bearing | 1 | 6309ZZD2C3 |
| 22 | Suction Cover | 1 | Stainless Steel Casting | 53 | Motor Protector | 3 | |
| 23 | Strainer Stand | 1 | Stainless Steel Casting | 54 | Shaft | 1 | Stainless Steel 316 (※) |
| 25 | Mechanical Seal | 1 | X-30W | 55 | Rotor | 1 | |
| 26 | Oil Seal | 1 | TC35508 | 56 | Stator | 1 | |
| 30 | Oil Lifter | 1 | Plastic | 60 | Bearing Housing | 1 | Stainless Steel Casting |
| 35A | Oil Plug | 1 | Stainless Steel 316 | 64 | Motor Frame | 1 | Stainless Steel Casting |
| 35B | Oil Plug | 1 | Stainless Steel 316 | 71 | Shaft Sleeve | 1 | Stainless Steel 316 |
| 36 | Lubricant | | Turbine Oil (ISO VG32) | 72 | Eye Bolt | 2 | Stainless Steel 316 |
| 37 | Discharge Bend | 1 | Stainless Steel Casting | | | | |