

SPECIFICATIONS	Model	80SFQ23.7	
		SFQ-series	
		3.7kW, 3-phase	

<p>Type of Pump Submersible corrosion-resistant pump made of cast 316 stainless steel suitable for pumping aggressive or corrosive liquid</p> <p>Type of Fluid Wastewater and water with corrosive nature</p> <p>Temperature: 0 to 40°C (High temperature model available on special request)</p> <p>Discharge Bore 80mm</p> <p>Motor Output 3.7kW</p> <p>Power Supply Three-phase</p> <p>Starting Method Direct on Line (Star-Delta available on special request)</p> <p>Motor Continuous-duty rated, dry-type induction motor</p> <p>Insulation Class: F Degree of Protection: IP68</p> <p>No. of Poles & Speed (Synchronous Speed) 2-pole, 3000/3600min⁻¹ (50/60Hz)</p> <p>Power Supply Voltages & Rated Currents</p> <table border="0"> <tr> <td>50Hz</td> <td>60Hz</td> </tr> <tr> <td>380V – 7.6A</td> <td>220V – 13.0A</td> </tr> <tr> <td>400V – 7.3A</td> <td>380V – 7.5A</td> </tr> <tr> <td>415V – 7.1A</td> <td>440V – 6.5A</td> </tr> </table> <p>Power Cable Sheath: PVC Standard Length: 6m 380 to 600V supply: 1 × 4 × 2.0mm², O.D. 11.8mm 200 to 240V supply: 1 × 4 × 3.5mm², O.D. 13.9mm</p> <p>Dry Weight (excluding cable) 52kg</p>	50Hz	60Hz	380V – 7.6A	220V – 13.0A	400V – 7.3A	380V – 7.5A	415V – 7.1A	440V – 6.5A	<p>Impeller Semi-open multi-vane impeller made of cast 316 stainless steel, dynamically balanced</p> <p>Solids Passage 50Hz – φ15mm 60Hz – φ15mm</p> <p>Cable Entry with Anti-Wicking Block Watertight cable entry with strain-relief device. The anti-wicking block prevents water incursion due to capillary action should the power cable be damaged or the end submerged.</p> <p>Bearings Permanently lubricated, deep-groove, double-shielded C3 ball bearings</p> <p>Shaft 316 stainless steel</p> <p>Shaft Seal (Mechanical Seal) Furnished with a double-face mechanical seal located in oil chamber. Both upper and lower seal faces always run in a clean environment.</p> <p>Upper Seal Faces: SiC + SiC Lower Seal Faces: SiC + SiC</p> <p>OIL LIFTER (Patented) Equipped in oil chamber. It forcibly supplies lubricating oil to the mechanical seal and continues to supply the oil to the upper seal faces even if lubricant falls below the rated volume.</p> <p>Type of Lubricating Oil & Volume Turbine Oil (ISO VG32), 850ml</p> <p>Motor Protection Device A circle thermal protector built in the motor housing. Directly cuts the motor circuit if excessive heat builds -up or an overcurrent condition occurs in the motor.</p>
50Hz	60Hz								
380V – 7.6A	220V – 13.0A								
400V – 7.3A	380V – 7.5A								
415V – 7.1A	440V – 6.5A								

Optional Accessory
External Leakage Sensor

NO. A-12165-1

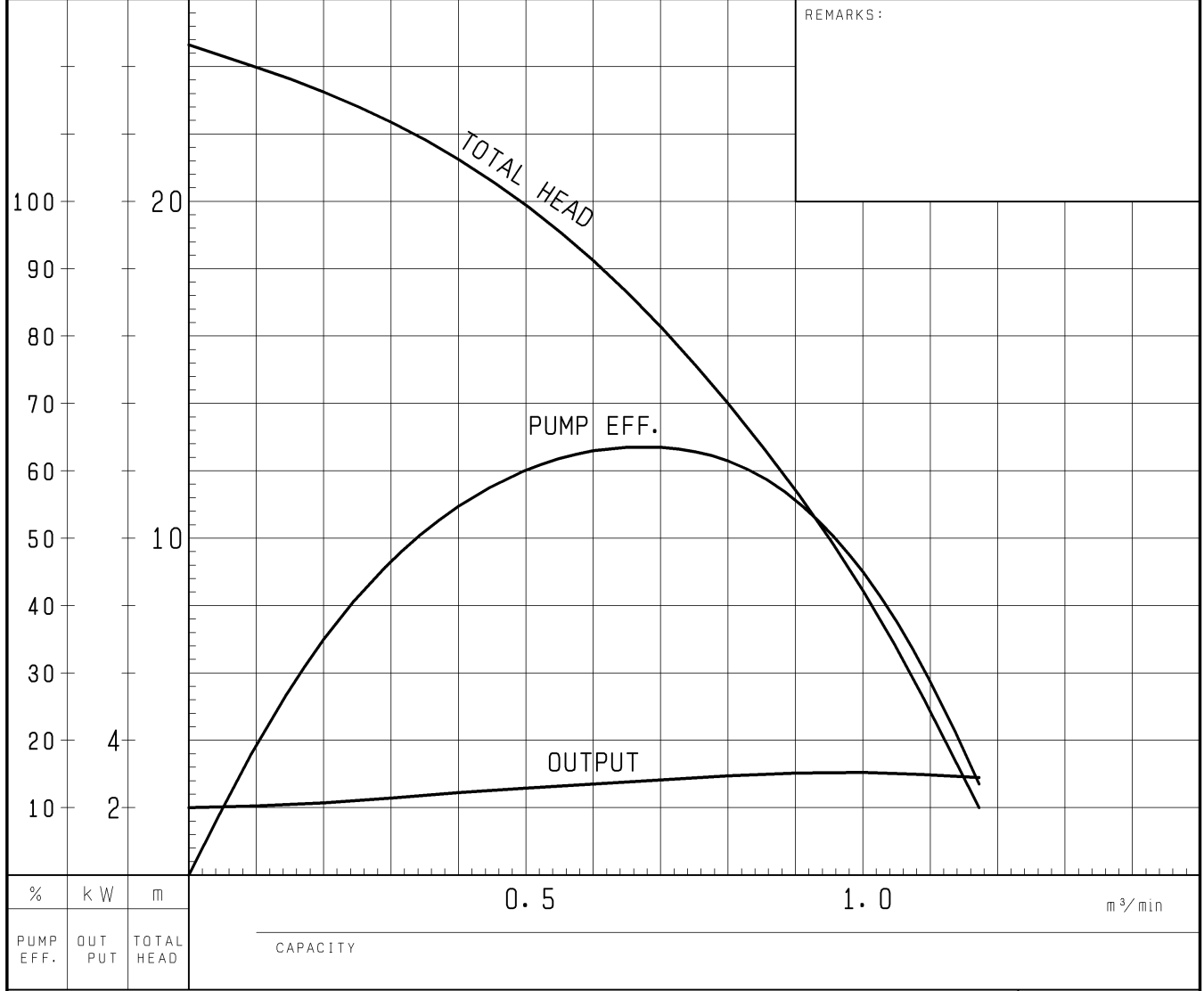
PUMP PERFORMANCE CURVES

TYPE Corrosion Resistant Submersible Stainless Steel Pump	MODEL 80SFQ23.7 -53	FREQUENCY 50 Hz
--	---------------------	-----------------

CUSTOMER'S NAME _____

EQUIPMENT TITLE _____ NO. _____

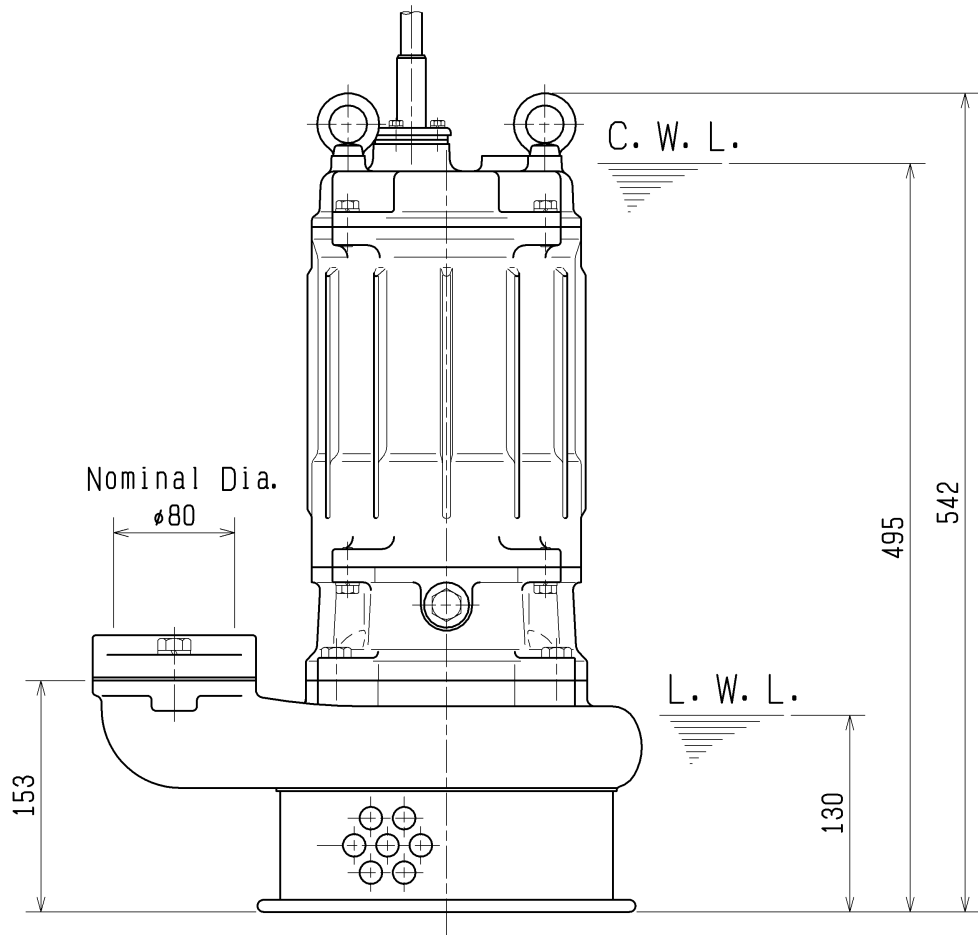
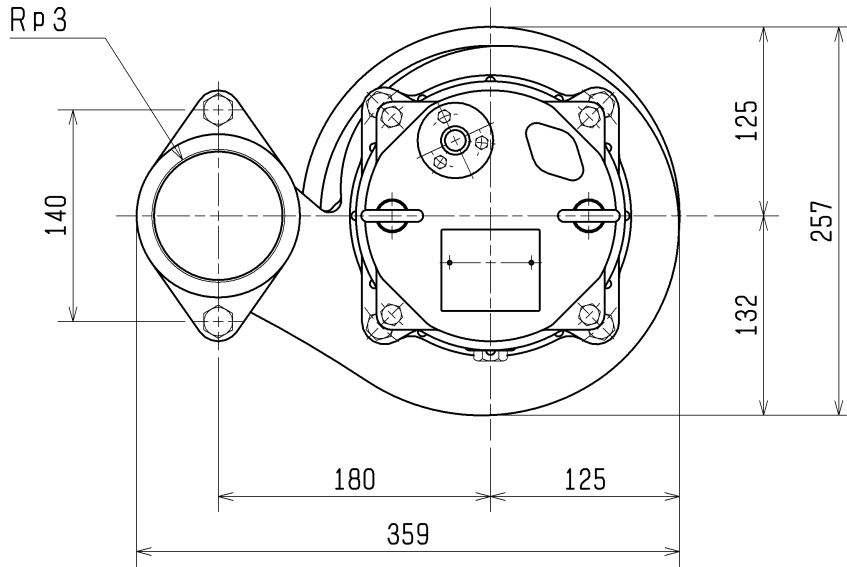
	STANDARD SPECIFICATIONS	REQUIRED SPECIFICATIONS
DISCHARGE BORE	80 mm	mm
TOTAL HEAD	15 m	m
CAPACITY	0.75 m ³ /min	m ³ /min
MOTOR OUTPUT	3.7 kW	kW
PHASE x VOLTAGE	3 φ × V	φ × V
CURRENT	A	A
POLES / REVOLUTION	2 P / s. s. 3000 min ⁻¹	P / min ⁻¹
STARTING METHOD	DIRECT ON LINE	
INSULATION CLASS	F	



TSURUMI MFG. CO., LTD.

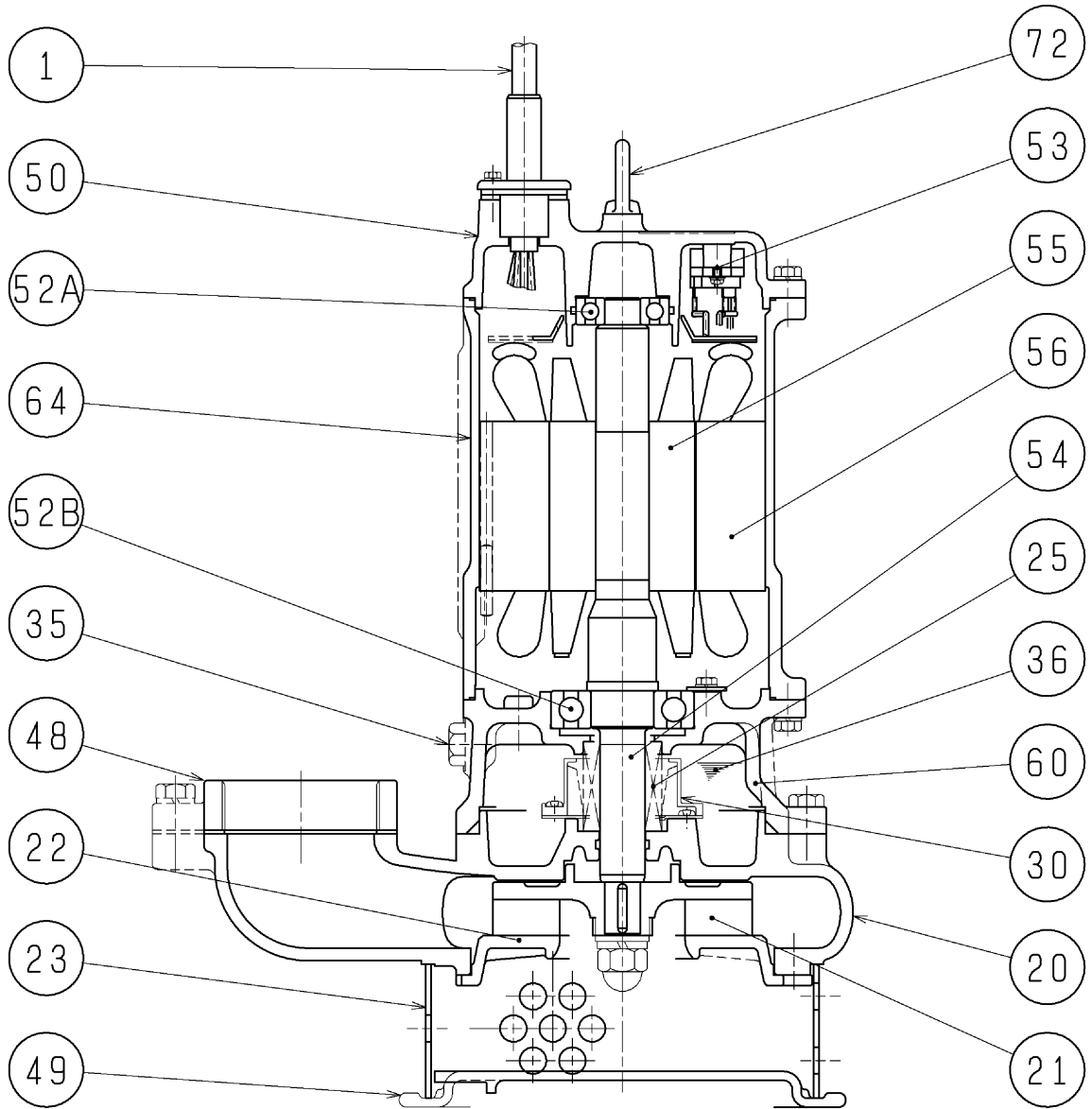
DIMENSION DRAWING		No.	No. A-12167-2
TYPE	Corrosion Resistant Submersible Stainless Steel Pump	MODEL	80SFQ23.7 -53/63

Approximate Weight (※)
52kg
※excluding cable



C. W. L. :Continuous Running Water Level
L. W. L. :Lowest Running Water Level

SECTIONAL DRAWING		No.	No. A-12168-3
TYPE	Corrosion Resistant Submersible Stainless Steel Pump	MODEL	80SFQ23.7 -53/63



REQ. SPECIFICATION	

※ the wetted part

No.	DESCRIPTION	Q'TY	MATERIAL / NOTE	No.	DESCRIPTION	Q'TY	MATERIAL / NOTE
1	Cable	1	PVC Sheath	52A	Upper Bearing	1	6304ZCC3
20	Pump Casing	1	Stainless Steel Casting	52B	Lower Bearing	1	6307ZCC3
21	Impeller	1	Stainless Steel Casting	53	Motor Protector	1	
22	Suction Cover	1	Stainless Steel Casting	54	Shaft	1	Stainless Steel 316(※)
23	Strainer	1	Stainless Steel 316	55	Rotor	1	
25	Mechanical Seal	1	X-25W	56	Stator	1	
30	Oil Lifter	1	Plastic	60	Bearing Housing	1	Stainless Steel Casting
35	Oil Plug	1	Stainless Steel 316	64	Motor Frame	1	Stainless Steel Casting
36	Lubricant		Turbine Oil (ISO VG32)	72	Eye Bolt	2	Stainless Steel 316
48	Screwed Flange	1	Stainless Steel Casting				
49	Bottom Plate	1	Stainless Steel Casting				
50	Motor Bracket	1	Stainless Steel Casting				