

SPECIFICATIONS	Model	40TM2.25S							
		TM-series 0.25kW, 1-phase							
<p><b>Type of Pump</b> Submersible semi-vortex pump made of titanium and resin suitable for pumping seawater</p> <p><b>Type of Fluid</b> Seawater</p> <p>Temperature: 0 to 40°C</p> <p><b>Discharge Bore</b> 40mm</p> <p><b>Motor Output</b> 0.25kW</p> <p><b>Power Supply</b> Single-phase</p> <p><b>Starting Method</b> Capacitor Run</p> <p><b>Motor</b> Continuous-duty rated, dry-type induction motor</p> <p>Insulation Class: E Degree of Protection: IP68</p> <p>No. of Poles &amp; Speed (Synchronous Speed) 2-pole, 3000/3600min<sup>-1</sup> (50/60Hz)</p> <p>Power Supply Voltages &amp; Rated Currents</p> <table border="0"> <tr> <td>50Hz</td> <td>60Hz</td> </tr> <tr> <td>220V – 2.6A</td> <td>110V – 4.4A</td> </tr> <tr> <td>230V – 2.5A</td> <td>220V – 2.4A</td> </tr> <tr> <td>240V – 2.5A</td> <td></td> </tr> </table> <p><b>Power Cable</b> Sheath: PVC Standard Length: 5m 100 to 240V supply: 1 × 3 × 1.25mm<sup>2</sup>, O.D. 10.1mm</p> <p><b>Dry Weight (excluding cable)</b> Standard Model: 6.7kg Automatic Model: 7.2kg</p>	50Hz	60Hz	220V – 2.6A	110V – 4.4A	230V – 2.5A	220V – 2.4A	240V – 2.5A		<p><b>Impeller</b> Vortex impeller designed for “high-gap structure”, made of glass-fiber reinforced PPO</p> <p>Solids Passage 50Hz – φ10mm 60Hz – φ10mm</p> <p><b>Cable Entry with Anti-Wicking Block</b> Watertight cable entry with strain-relief device. The anti-wicking block prevents water incursion due to capillary action should the power cable be damaged or the end submerged.</p> <p><b>Bearings</b> Permanently lubricated, deep-groove, double-shielded C3 ball bearings</p> <p><b>Shaft</b> Titanium</p> <p><b>Shaft Seal (Mechanical Seal)</b> Furnished with a double-face mechanical seal located in oil chamber. Both upper and lower seal faces always run in a clean environment.</p> <p>Upper Seal Faces: Ceramic + Carbon Lower Seal Faces: SiC + Ceramic</p> <p><b>OIL LIFTER (Patented)</b> Equipped in oil chamber. It forcibly supplies lubricating oil to the mechanical seal and continues to supply the oil to the upper seal faces even if lubricant falls below the rated volume.</p> <p>Type of Lubricating Oil &amp; Volume Liquid Paraffin (ISO VG32), 240ml</p> <p><b>Motor Protection Device</b> A miniature thermal protector is embedded in each winding of the motor. Should excessive heat builds up, the bimetal strip opens to cause the control panel to shut the power supply.</p>
50Hz	60Hz								
220V – 2.6A	110V – 4.4A								
230V – 2.5A	220V – 2.4A								
240V – 2.5A									

## PUMP PERFORMANCE CURVES

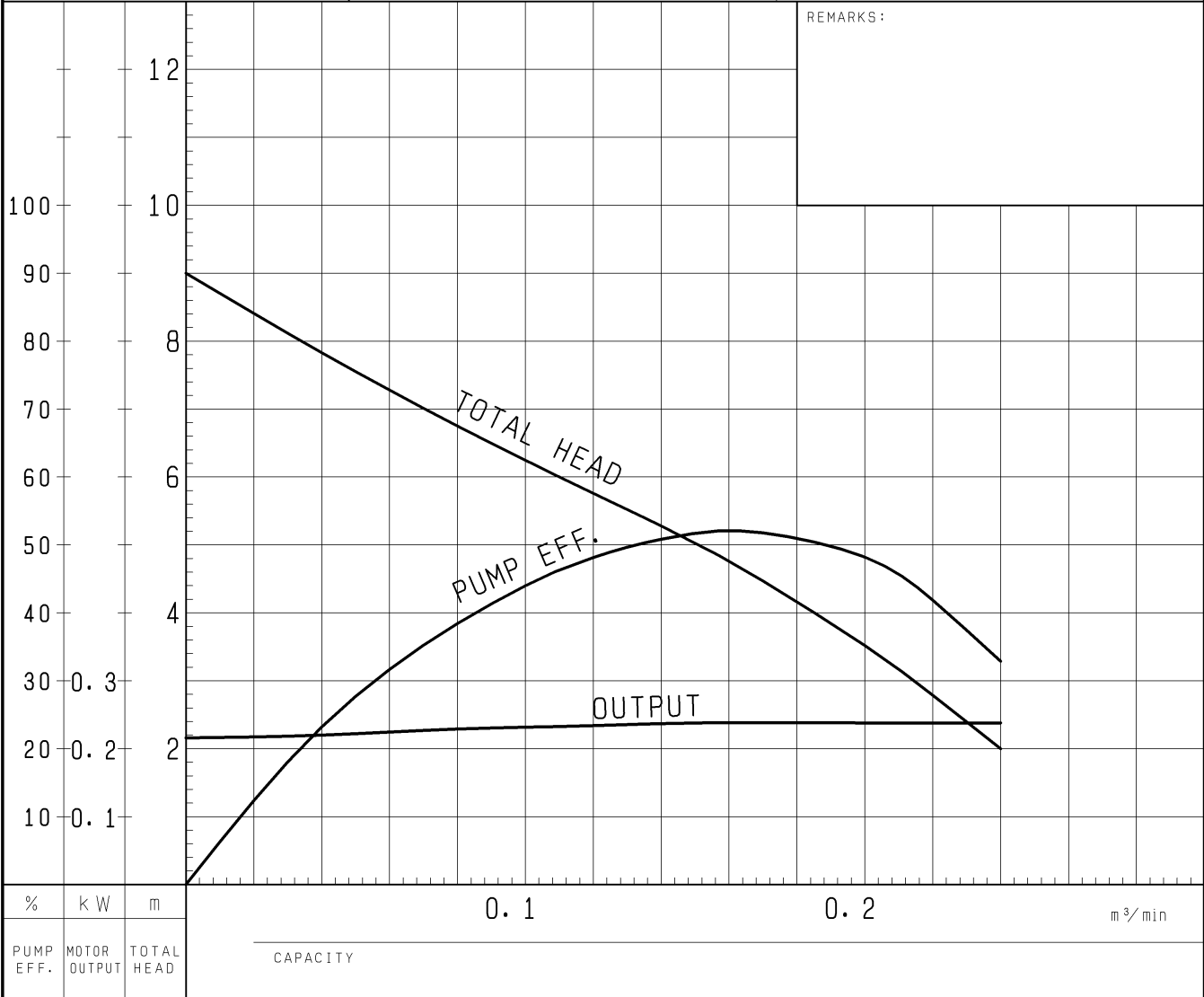
TYPE	Sea Water Submersible Titanium Seawater Pump	MODEL	40TM2.25S -52 40TMA2.25S -52	FREQUENCY	50 Hz
------	---	-------	---------------------------------	-----------	-------

CUSTOMER'S NAME \_\_\_\_\_

EQUIPMENT TITLE \_\_\_\_\_

NO. \_\_\_\_\_

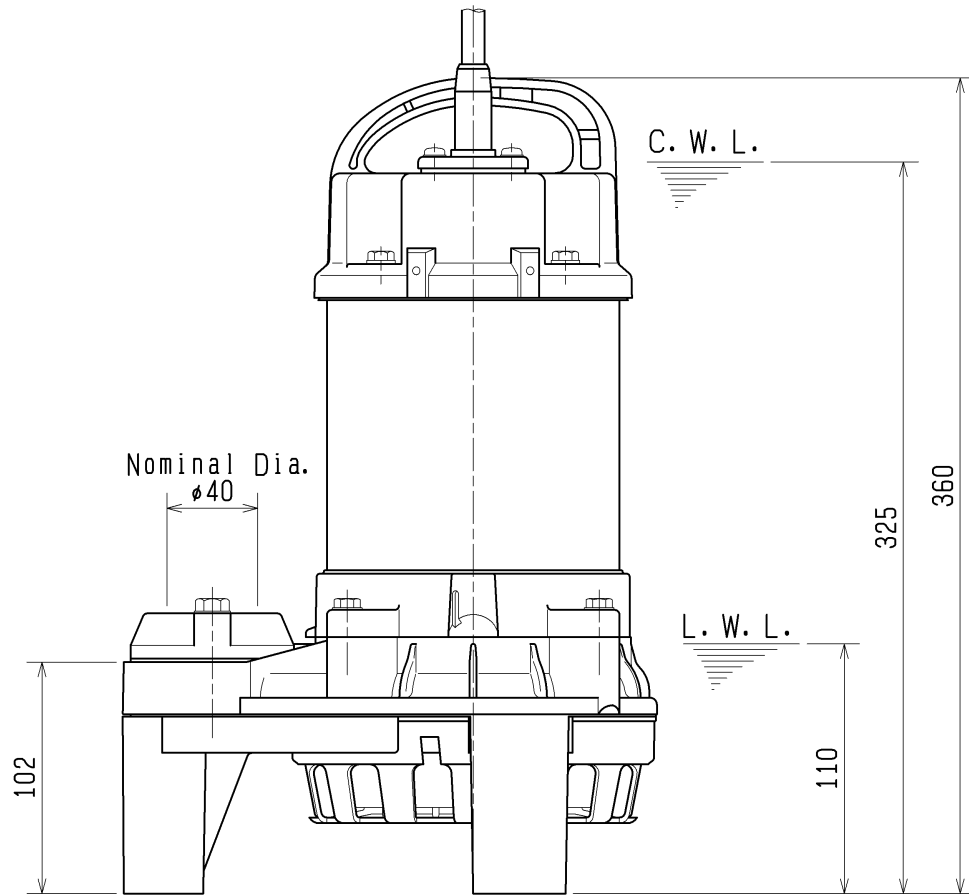
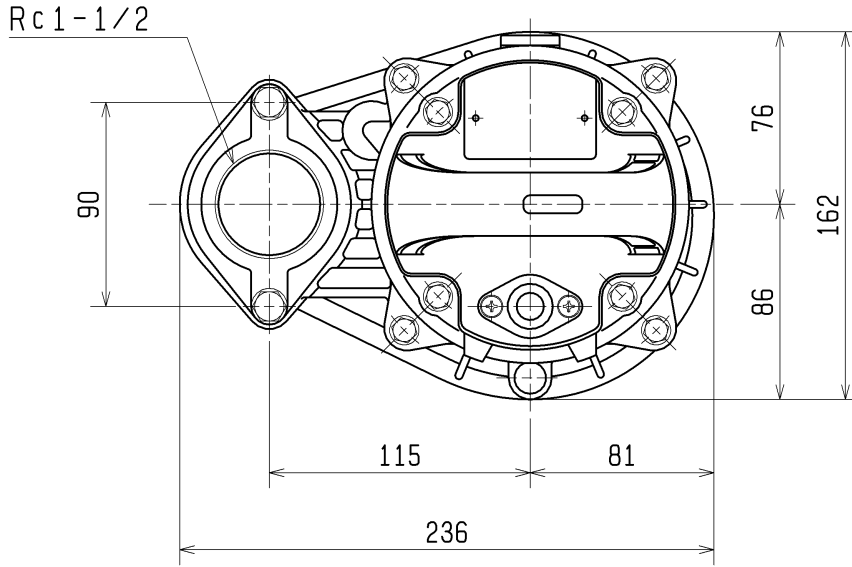
	STANDARD SPECIFICATIONS	REQUIRED SPECIFICATIONS
DISCHARGE BORE	40 mm	mm
TOTAL HEAD	6.5 m	m
CAPACITY	0.08 m <sup>3</sup> /min	m <sup>3</sup> /min
MOTOR OUTPUT	0.25 kW	kW
PHASE × VOLTAGE	1 ∅ × V	∅ × V
CURRENT	A	A
POLES / REVOLUTION	2 P / s. s. 3000 min <sup>-1</sup>	P / min <sup>-1</sup>
STARTING METHOD	CAPACITOR MOTOR	
INSULATION CLASS	E	



<b>DIMENSION DRAWING</b>		No.	No. A-10202-2
TYPE	Sea Water Submersible Titanium Seawater Pump	MODEL	40TM2.25S -52/62

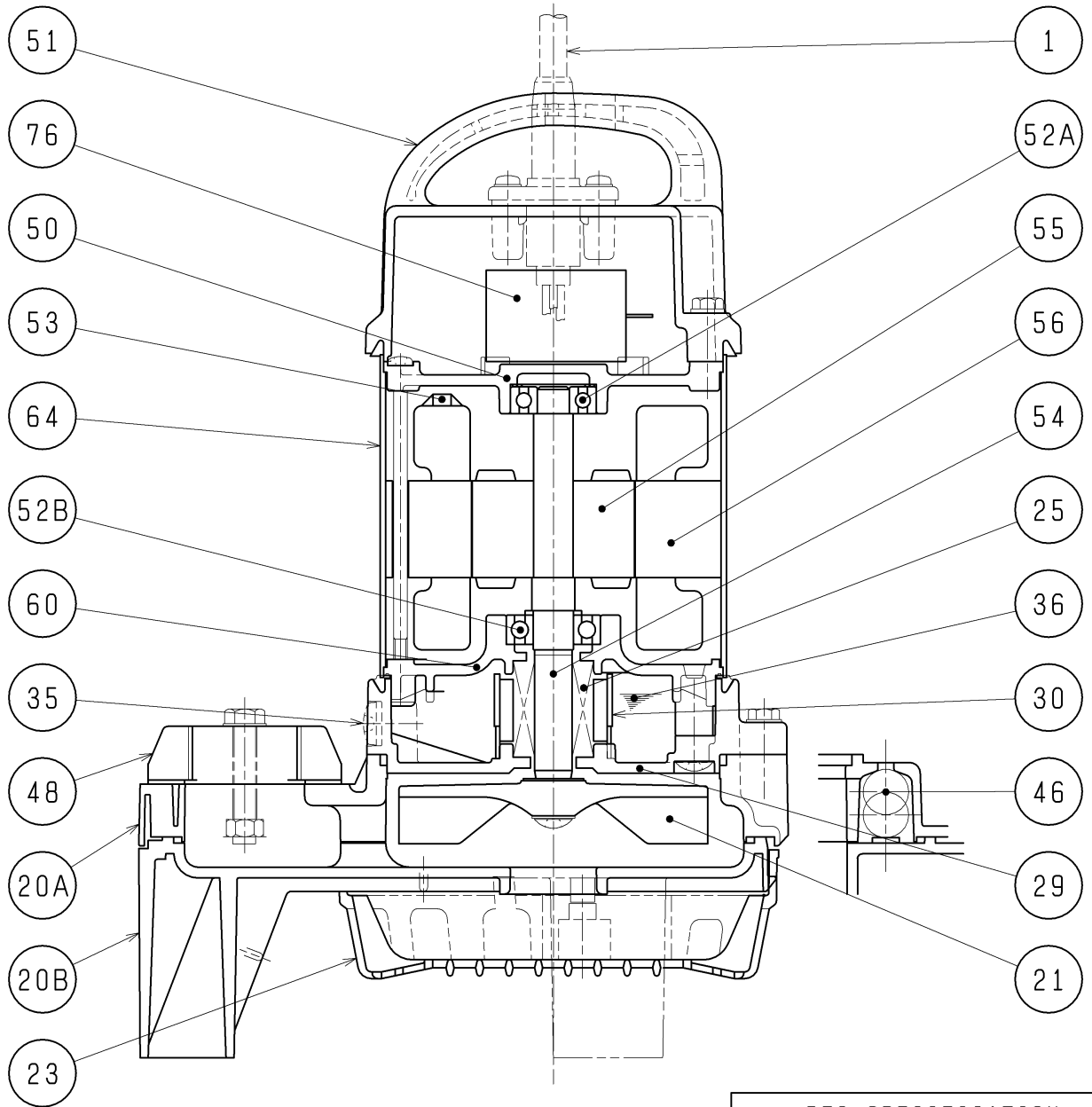
Approximate Weight (※)
6.7kg

※excluding cable



C.W.L. : Continuous running Water Level  
L.W.L. : Lowest running Water Level

<b>SECTIONAL DRAWING</b>		No.	No. A-10214-4
TYPE	Sea Water Submersible Titanium Seawater Pump	MODEL	40TM2.25S -52/62 50TM2.4S -52/62



REQ. SPECIFICATION	
-----	
-----	

\* All metal parts (including cable gland, bolts, nuts, washers, etc.) contacting with liquid are made of TITANIUM.

\* Upper and lower blocks form a one-piece casing.

No.	DESCRIPTION	Q'TY	MATERIAL / NOTE	No.	DESCRIPTION	Q'TY	MATERIAL / NOTE
1	Cable	1	PVC Sheath	51	Head Cover	1	Plastic W/GF
20A	Upper Pump Casing	* 1	Plastic W/GF	52A	Upper Bearing	1	6201ZZC3
20B	Lower Pump Casing		Plastic	52B	Lower Bearing	1	6302ZZC3
21	Impeller	1	Plastic W/GF	53	Motor Protector	1	
23	Strainer	1	Plastic	54	Shaft	1	Titanium
25	Mechanical Seal	1	W-14HC	55	Rotor	1	
29	Oil Casing	1	Plastic W/GF	56	Stator	1	
30	Oil Lifter	1	Plastic	60	Bearing Housing	1	Aluminium Die Casting
35	Oil Plug	1	Titanium	64	Motor Frame	1	Titanium
36	Lubricant		Liquid Paraffin (ISO VG32)	76	Capacitor	1	
46	Air Release Valve	1	Glass Ball				
48	Screwed Flange	1	Plastic W/GF				
50	Motor Bracket	1	Aluminium Die Casting				