

SPECIFICATIONS	Model KTZ422	KTZ-series 22kW, 3-phase
<p>Type of Pump Submersible high head drainage pump for construction and foundation works, floodwater drainage, etc.</p> <p>Type of Fluid Stormwater, groundwater, wash water, and sand-carrying water</p> <p>Temperature: 0 to 40°C</p> <p>Discharge Bore & Connection 100mm, Multi-directional Hose Coupling</p> <p>Motor Output 22kW</p> <p>Power Supply Three-phase</p> <p>Starting Method Direct on Line (Star-Delta available on special request)</p> <p>Motor Continuous-duty rated, dry-type induction motor</p> <p>Insulation Class: F Degree of Protection: IP68</p> <p>No. of Poles & Speed (Synchronous Speed) 2-pole, 3000min⁻¹ (50Hz)</p> <p>Power Supply Voltages & Rated Currents 50Hz 380V – 39.7A 400V – 37.6A 415V – 36.6A</p> <p>Power Cable Sheath: Chloroprene rubber Standard Length: 10m 380 to 600V supply: 1 x $\left(\begin{array}{l} 4 \times 14\text{mm}^2 \\ 2 \times 2\text{mm}^2 \end{array} \right)$, O.D. 25.2mm</p> <p>Dry Weight (excluding cable) 295kg</p>	<p>Impeller Semi-open impeller made of high-chromium cast iron</p> <p>Solids Passage 50Hz – ϕ8.5mm</p> <p>Cable Entry with Anti-Wicking Block Watertight cable entry with strain-relief device. The anti-wicking block prevents water incursion due to capillary action should the power cable be damaged or the end submerged.</p> <p>Bearing Upper: Permanently lubricated, deep-groove, double-shielded C3 ball bearing Lower: Duplex angular contact ball bearing mounted back-to-back</p> <p>Shaft 420 stainless steel</p> <p>Shaft Seal (Mechanical Seal) Furnished with a double-face mechanical seal located in oil chamber. Both upper and lower seal faces always run in a clean environment.</p> <p>Upper Seal Face: SiC + SiC Lower Seal Face: SiC + SiC</p> <p>Labyrinth Ring Made of 304 stainless steel, equipped to provide a better countermeasure against wear caused by high pressure generated in the casing.</p> <p>Pressure Relief Ports Protect the mechanical seal against excessive pressure, and also protect the seal faces from abrasive particles by drawing the particles away.</p> <p>OIL LIFTER Equipped in oil chamber. It forcibly supplies lubricating oil to the mechanical seal and continues to supply the oil to the upper seal faces even if lubricant falls below the rated volume.</p> <p>Type of Lubricating Oil & Volume Turbine Oil (ISO VG32), 2000ml</p> <p>Motor Protection Device A miniature thermal protector is embedded in each winding of the motor. Should excessive heat builds up, the bimetal strip opens to cause the control panel to shut the power supply.</p>	
TSURUMI MANUFACTURING CO., LTD.		

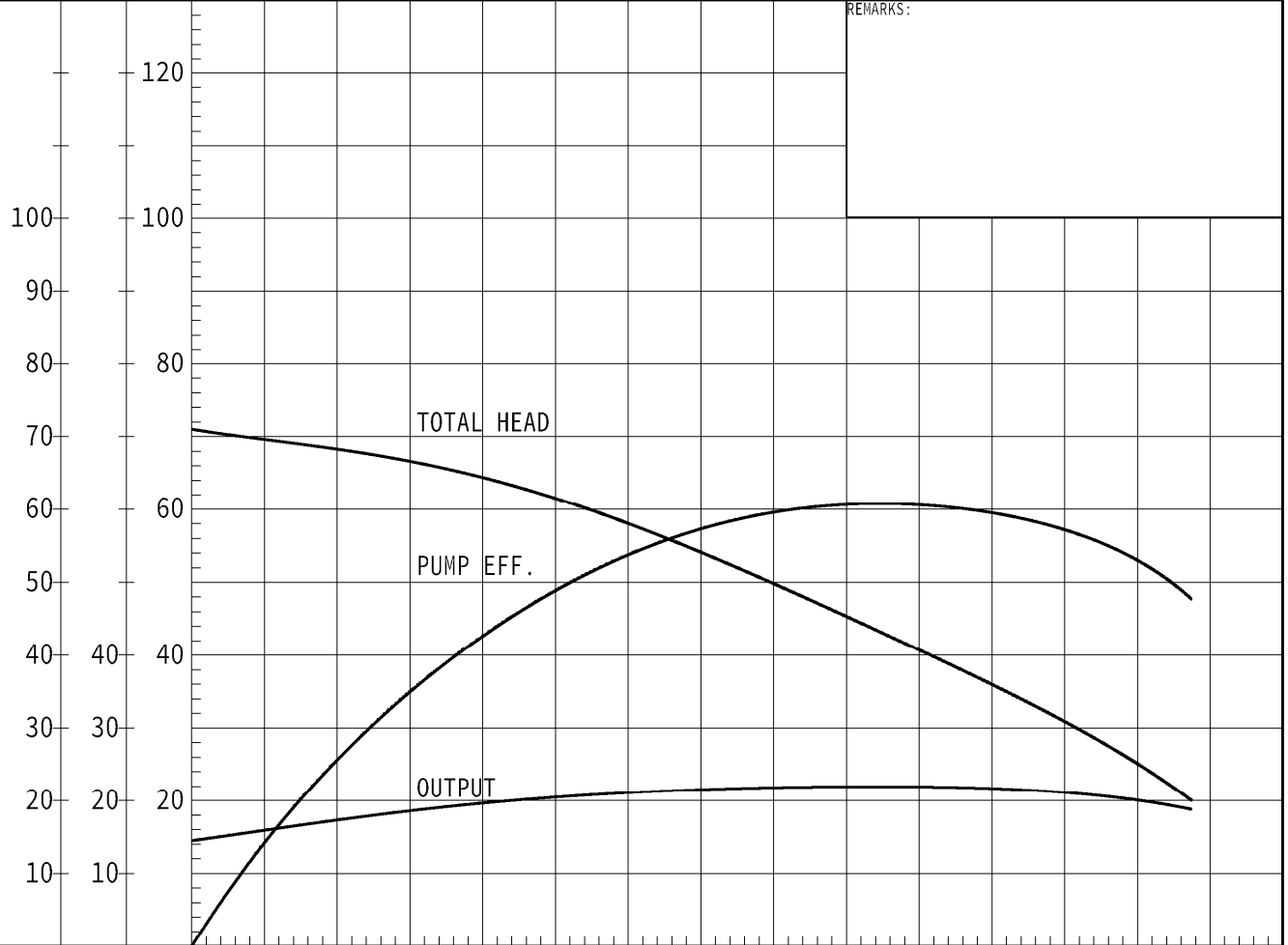
No. A-26981-1

PUMP PERFORMANCE CURVES

TYPE **Submersible Dewatering Pump** MODEL **KTZ422 -51** FREQUENCY **50 Hz**

CUSTOMER'S NAME _____
 EQUIPMENT TITLE _____ No. _____

	STANDARD SPECIFICATIONS	REQUIRED SPECIFICATIONS
DISCHARGE BORE	100 mm	mm
TOTAL HEAD	MAX. 71 m	m
CAPACITY	MAX. 2.75 m ³ /min	m ³ /min
MOTOR OUTPUT	22 kW	kW
PHASE×VOLTAGE	3 φ × V	φ × V
CURRENT	A	A
POLES/REVOLUTION	2 P / S.S.3000 min ⁻¹	P / min ⁻¹
STARTING METHOD	DIRECT ON LINE	
INSULATION CLASS	F	



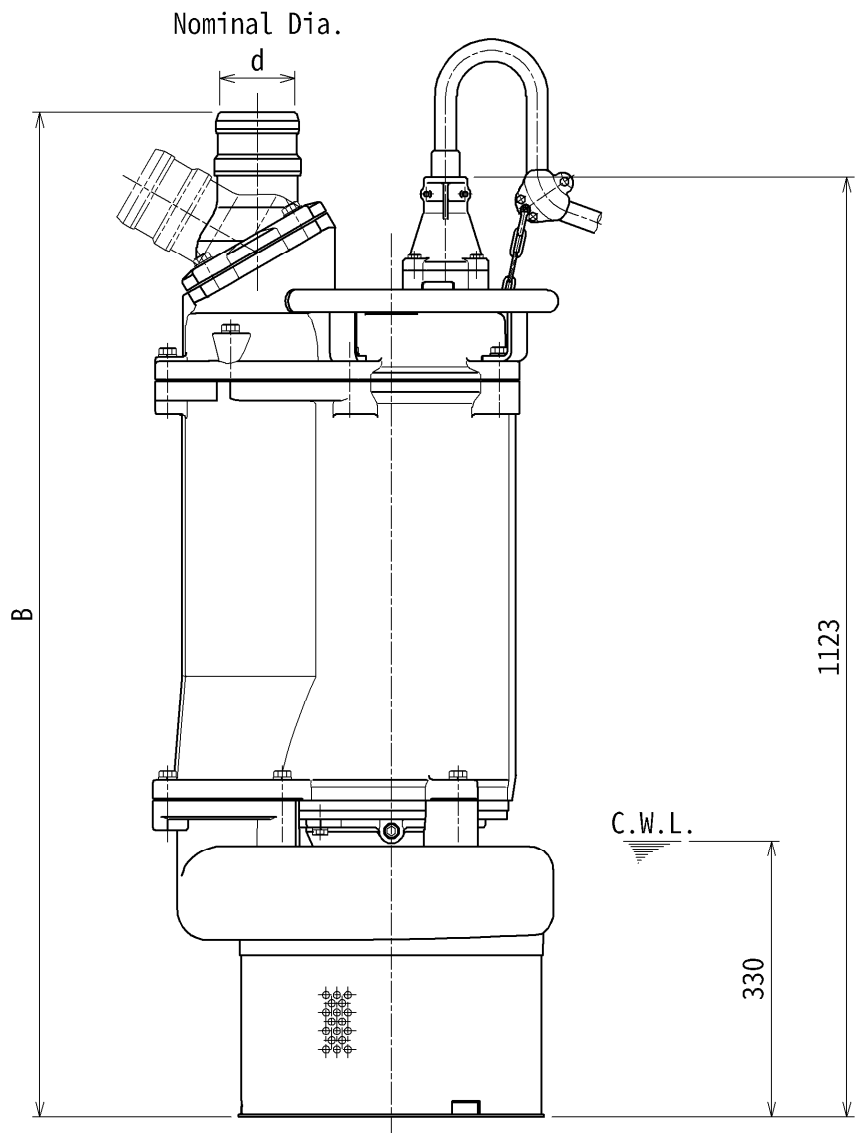
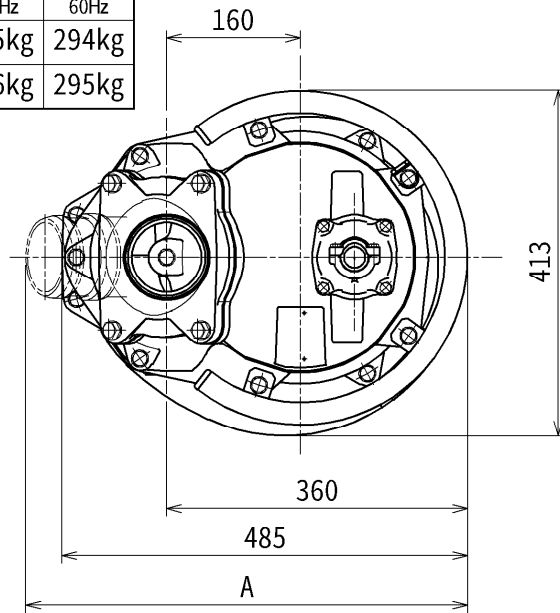
	%	kW	m	0.4	0.8	1.2	1.6	2.0	2.4	m ³ /min
PUMP EFF.	MOTOR OUTPUT	TOTAL HEAD	CAPACITY							

TSURUMI MFG. CO., LTD.

DIMENSION DRAWING		No.	No.	A-26985-1
TYPE	Submersible Dewatering Pump	MODEL	KTZ422 -51/61 KTZ622 -51/61	

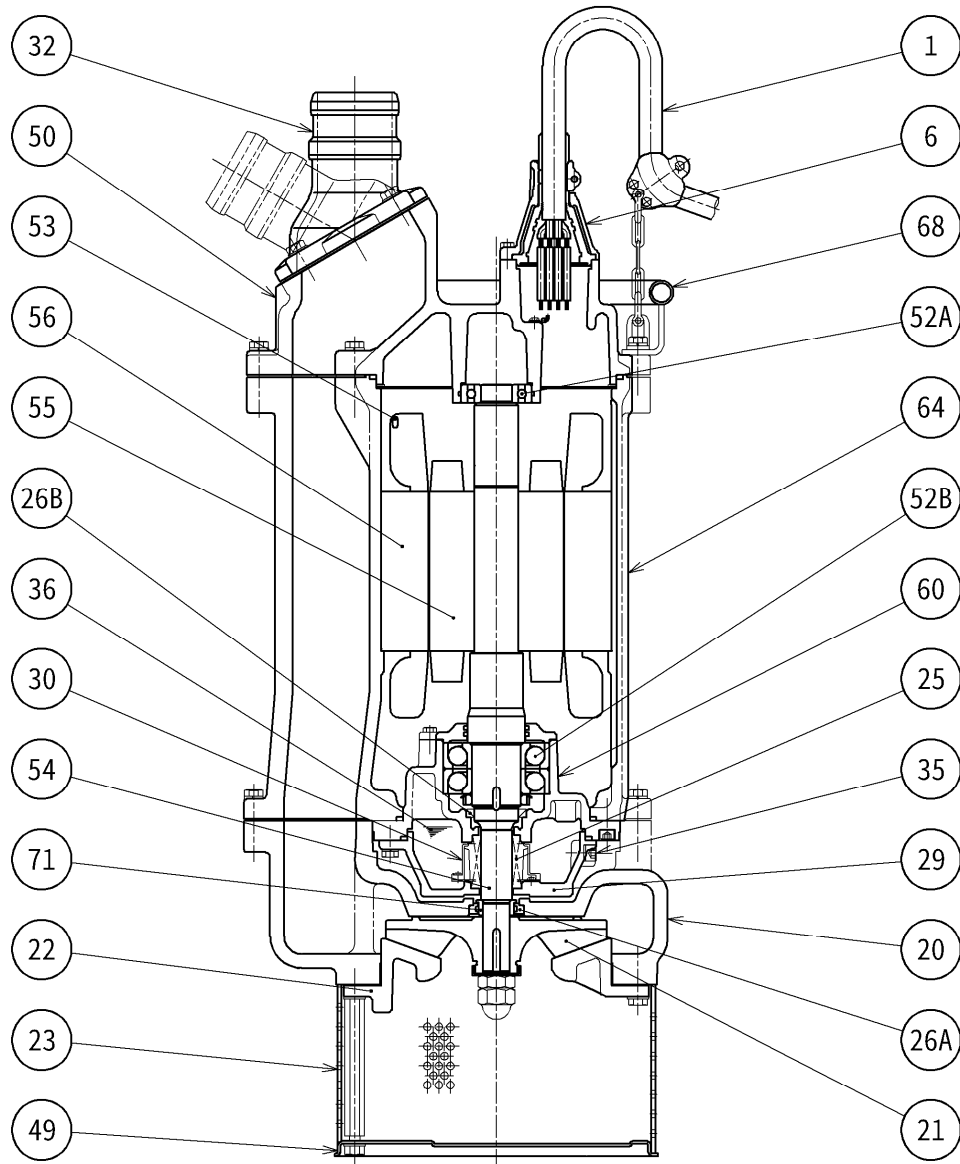
MODEL	d	A	B	Approximate Weight(※)	
				50Hz	60Hz
KTZ422-51/61	100	528	1200	295kg	294kg
KTZ622-51/61	150	558	1220	296kg	295kg

※excluding cable



C.W.L.:Continuous running Water Level

SECTIONAL DRAWING		No.	No.	A-26986-1
TYPE	Submersible Dewatering Pump	MODEL	KTZ422 -51/61	KTZ622 -51/61



REQ. SPECIFICATION	

No.	DESCRIPTION	Q'TY	MATERIAL / NOTE	No.	DESCRIPTION	Q'TY	MATERIAL / NOTE
1	Cabtyre Cable	1	Chloroprene Sheath	49	Bottom Plate	1	Steel Sheet
6	Stuffing Box	1	Gray Iron Casting	50	Motor Bracket	1	Gray Iron Casting
20	Pump Casing	1	Gray Iron Casting	52A	Upper Bearing	1	6307ZZC3
21	Impeller	1	Chromium Iron Casting	52B	Lower Bearing	1	7311DBC3
22	Suction Cover	1	Ductile Iron Casting	53	Motor Protector	3	
23	Strainer	1	Structure Steel	54	Shaft	1	Stainless Steel 420J2
25	Mechanical Seal	1	H-35T	55	Rotor	1	
26A	Labyrinth Ring	1	Stainless Steel 304	56	Stator	1	
26B	Oil Seal	1	SC50689	60	Bearing Housing	1	Gray Iron Casting
29	Oil Casing	1	Gray Iron Casting	64	Motor Frame	1	Gray Iron Casting
30	Oil Lifter	1	Plastic	68	Handle	1	Carbon Steel Pipe & Steel Sheet
32	Hose Coupling	1	Gray Iron Casting	71	Shaft Sleeve	1	Stainless Steel 403
35	Oil Plug	1	Stainless Steel 304				
36	Lubricant		Turbine Oil(ISO VG32)				