

| SPECIFICATIONS | Model | 40PU2.25S | |
|----------------|-------|------------------------------|--|
| | | PU-series 0.25kW, 1-phase | |

Type of Pump

Submersible vortex pump made of 304 stainless steel and resin suitable for pumping sewage, wastewater, storm water, etc.

Type of Fluid

Sewage, wastewater, and water carrying solid matters

Temperature: 0 to 40°C

Discharge Bore

40mm

Motor Output

0.25kW

Power Supply

Single-phase

Starting Method

Capacitor Run

Motor

Continuous-duty rated, dry-type induction motor

Insulation Class: E

Degree of Protection: IP68

No. of Poles & Speed (Synchronous Speed)

2-pole, 3000/3600min⁻¹ (50/60Hz)

Power Supply Voltages & Rated Currents

| 50Hz | 60Hz |
|-------------|-------------|
| 220V – 2.5A | 110V – 4.4A |
| 230V – 2.5A | 220V – 2.4A |
| 240V – 2.5A | |

Power Cable

Sheath: PVC

Standard Length: 5m

100 to 240V supply:

1 × 3 × 1.25mm², O.D. 10.1mm

Dry Weight (excluding cable)

Standard Model: 7.1kg

Auto & Auto-Alternation Model: 7.8kg

Impeller

Vortex impeller made of glass-fiber reinforced PPO

Solids Passage

50Hz – ϕ 35mm

60Hz – ϕ 35mm

Cable Entry with Anti-Wicking Block

Watertight cable entry with strain-relief device. The anti-wicking block prevents water incursion due to capillary action should the power cable be damaged or the end submerged.

Bearings

Permanently lubricated, deep-groove, double-shielded C3 ball bearings

Shaft

304 stainless steel

Shaft Seal (Mechanical Seal)

Furnished with a double-face mechanical seal located in oil chamber. Both upper and lower seal faces always run in a clean environment.

Upper Seal Faces: Ceramic + Carbon

Lower Seal Faces: SiC + Ceramic

OIL LIFTER (Patented)

Equipped in oil chamber. It forcibly supplies lubricating oil to the mechanical seal and continues to supply the oil to the upper seal faces even if lubricant falls below the rated volume.

Type of Lubricating Oil & Volume

Liquid Paraffin (ISO VG32), 240ml

Motor Protection Device

A miniature thermal protector is embedded in each winding of the motor. Should excessive heat builds up, the bimetal strip opens to cause the control panel to shut the power supply.

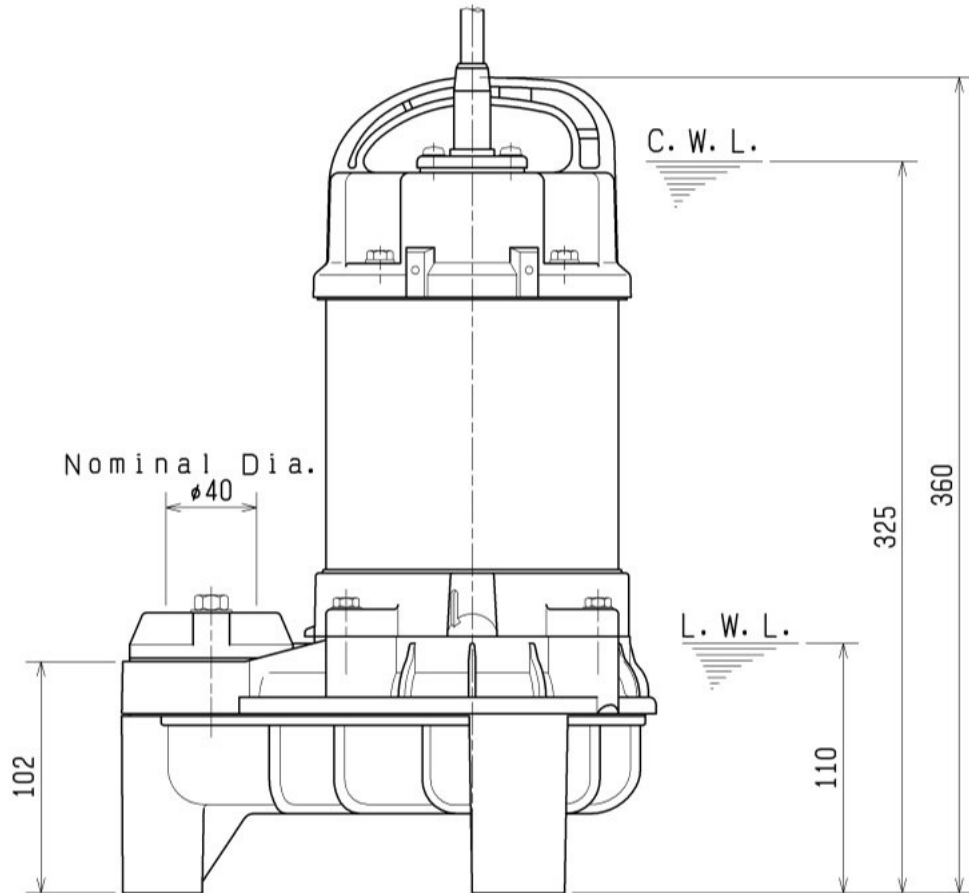
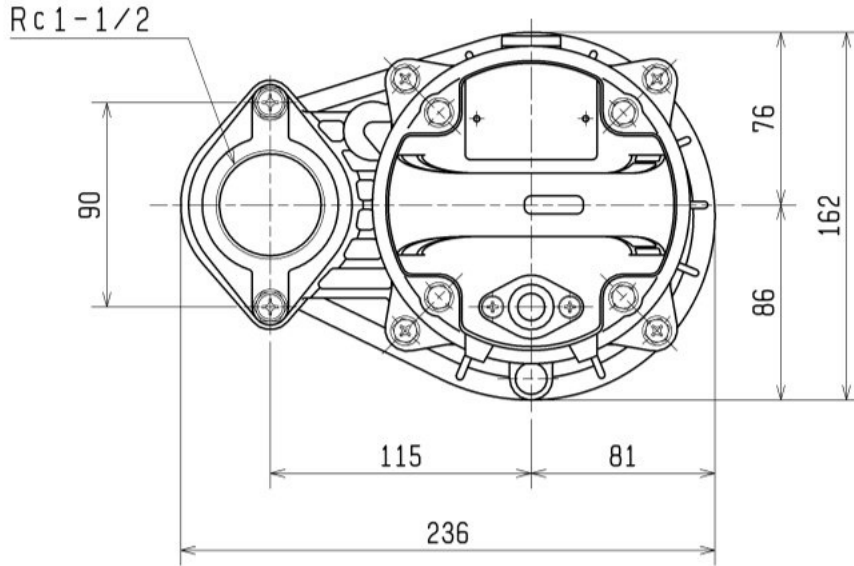
Optional Accessories
TOK Set (Guide Rail Fitting Type)

- Duckfoot Bend
- Guide Support
- Guide Hook
- Lifting Chain 4m (with Shackles)

| | | | |
|--------------------------|-----------------------------------|-------|------------------|
| DIMENSION DRAWING | | No. | No. A-09973-2 |
| TYPE | Sewage Submersible Vortex Pump | MODEL | 40PU2.25S -53/63 |

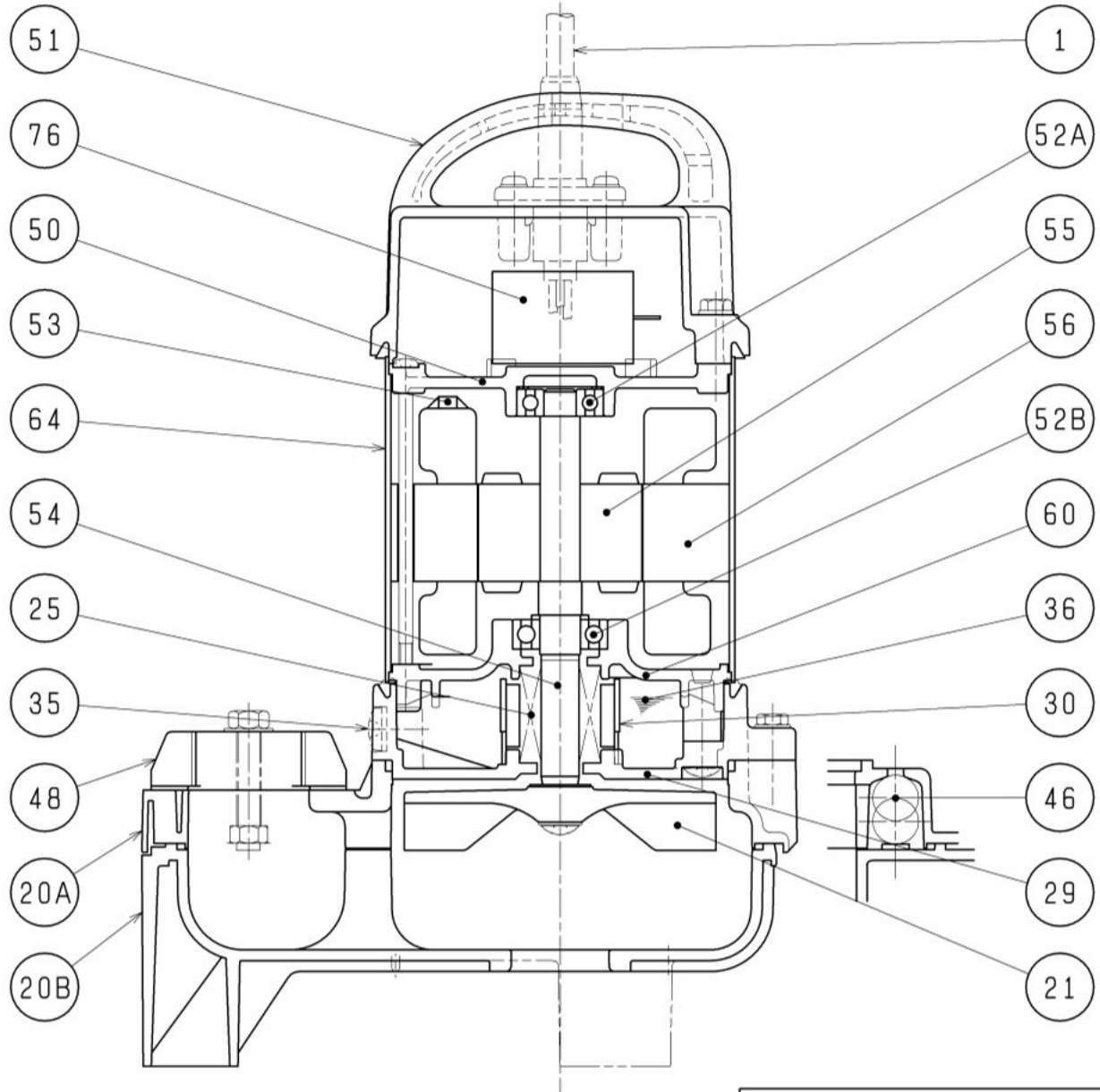
| |
|------------------------|
| Approximate Weight (※) |
| 7.1kg |

※excluding cable



L.W.L.: Lowest running Water Level
 C.W.L.: Continuous running Water Level

| | | | |
|--|-------|-------------------------------------|---------------|
| SECTIONAL DRAWING | | No. | No. A-10019-4 |
| TYPE Submersible Vortex Sewage Pump | MODEL | 40PU2.25S -53/63 50PU2.4S -53/63 | |



| REQ. SPECIFICATION |
|--------------------|
| |
| |
| |

* Upper and lower blocks form a one-piece casing.

| No. | DESCRIPTION | QTY | MATERIAL / NOTE | No. | DESCRIPTION | QTY | MATERIAL / NOTE |
|-----|-------------------|--------|----------------------------|-----|-----------------|-----|-----------------------|
| 1 | Cable | 1 | PVC Sheath | 51 | Head Cover | 1 | Plastic W/GF |
| 20A | Upper Pump Casing | * 1 | Plastic W/GF | 52A | Upper Bearing | 1 | 6201ZZC3 |
| 20B | Lower Pump Casing | | Plastic | 52B | Lower Bearing | 1 | 6202ZZC3 |
| 21 | Impeller | 1 | Plastic W/GF | 53 | Motor Protector | 1 | |
| 25 | Mechanical Seal | 1 | W-14HC | 54 | Shaft | 1 | Stainless Steel 304 |
| 29 | Oil Casing | 1 | Plastic W/GF | 55 | Rotor | 1 | |
| 30 | Oil Lifter | 1 | Plastic | 56 | Stator | 1 | |
| 35 | Oil Plug | 1 | Stainless Steel 304 | 60 | Bearing Housing | 1 | Aluminium Die Casting |
| 36 | Lubricant | | Liquid Paraffin (ISO VG32) | 64 | Motor Frame | 1 | Stainless Steel 304 |
| 46 | Air Release Valve | 1 | Glass Ball | 76 | Capacitor | 1 | |
| 48 | Screwed Flange | 1 | Plastic W/GF | | | | |
| 50 | Motor Bracket | 1 | Aluminium Die Casting | | | | |