

SPECIFICATIONS	Model	50SF2.75	SF-series
			0.75kW, 3-phase

<p>Type of Pump Submersible cast iron high-head pump suitable for pumping wastewater and storm water</p> <p>Type of Fluid Wastewater and water carrying small solid matters</p> <p>Temperature: 0 to 40°C (High temperature model available on special request)</p> <p>Discharge Bore 50mm</p> <p>Motor Output 0.75kW</p> <p>Power Supply Three-phase</p> <p>Starting Method Direct on Line</p> <p>Motor Continuous-duty rated, dry-type induction motor</p> <p>Insulation Class: E (available in F on special request) Degree of Protection: IP68</p> <p>No. of Poles & Speed (Synchronous Speed) 2-pole, 3000/3600min⁻¹ (50/60Hz)</p> <p>Power Supply Voltages & Rated Currents</p> <table border="0"> <tr> <td>50Hz</td> <td>60Hz</td> </tr> <tr> <td>380V – 1.9A</td> <td>220V – 3.5A</td> </tr> <tr> <td>400V – 1.9A</td> <td>380V – 1.9A</td> </tr> <tr> <td>415V – 2.0A</td> <td>440V – 1.7A</td> </tr> </table> <p>Power Cable Sheath: PVC Standard Length: 6m 200 to 600V supply: 1 × 4 × 1.25mm², O.D. 11.1mm</p> <p>Dry Weight (excluding cable) 20kg</p>	50Hz	60Hz	380V – 1.9A	220V – 3.5A	400V – 1.9A	380V – 1.9A	415V – 2.0A	440V – 1.7A	<p>Impeller Semi-open multi-vane impeller made of cast iron, dynamically balanced</p> <p>Solids Passage 50Hz – ϕ11mm 60Hz – ϕ10mm</p> <p>Cable Entry with Anti-Wicking Block Watertight cable entry with strain-relief device. The anti-wicking block prevents water incursion due to capillary action should the power cable be damaged or the end submerged.</p> <p>Bearings Permanently lubricated, deep-groove, double-shielded C3 ball bearings</p> <p>Shaft 420 stainless steel</p> <p>Shaft Seal (Mechanical Seal) Furnished with a double-face mechanical seal located in oil chamber. Both upper and lower seal faces always run in a clean environment.</p> <p>Upper Seal Faces: Ceramic + Carbon Lower Seal Faces: SiC + Ceramic</p> <p>Oil Seal (Lip Seal) Used as a “Dust Seal”, it protects the mechanical seal from abrasive particles.</p> <p>OIL LIFTER (Patented) Equipped in oil chamber. It forcibly supplies lubricating oil to the mechanical seal and continues to supply the oil to the upper seal faces even if lubricant falls below the rated volume.</p> <p>Type of Lubricating Oil & Volume Turbine Oil (ISO VG32), 460ml</p> <p>Motor Protection Device A circle thermal protector built in the motor housing. Directly cuts the motor circuit if excessive heat builds up or an overcurrent condition occurs in the motor.</p>
50Hz	60Hz								
380V – 1.9A	220V – 3.5A								
400V – 1.9A	380V – 1.9A								
415V – 2.0A	440V – 1.7A								

Optional Accessories

TOK Set (Guide Rail Fitting Type)

- Duckfoot Bend
- Guide Support
- Guide Hook
- Lifting Chain 4m (with Shackles)

External Leakage Sensor

NO.

A-20029-1

PUMP PERFORMANCE CURVES

TYPE Submersible Centrifugal
Effluent Pump

MODEL 50SF (A/W) 2.75 -53

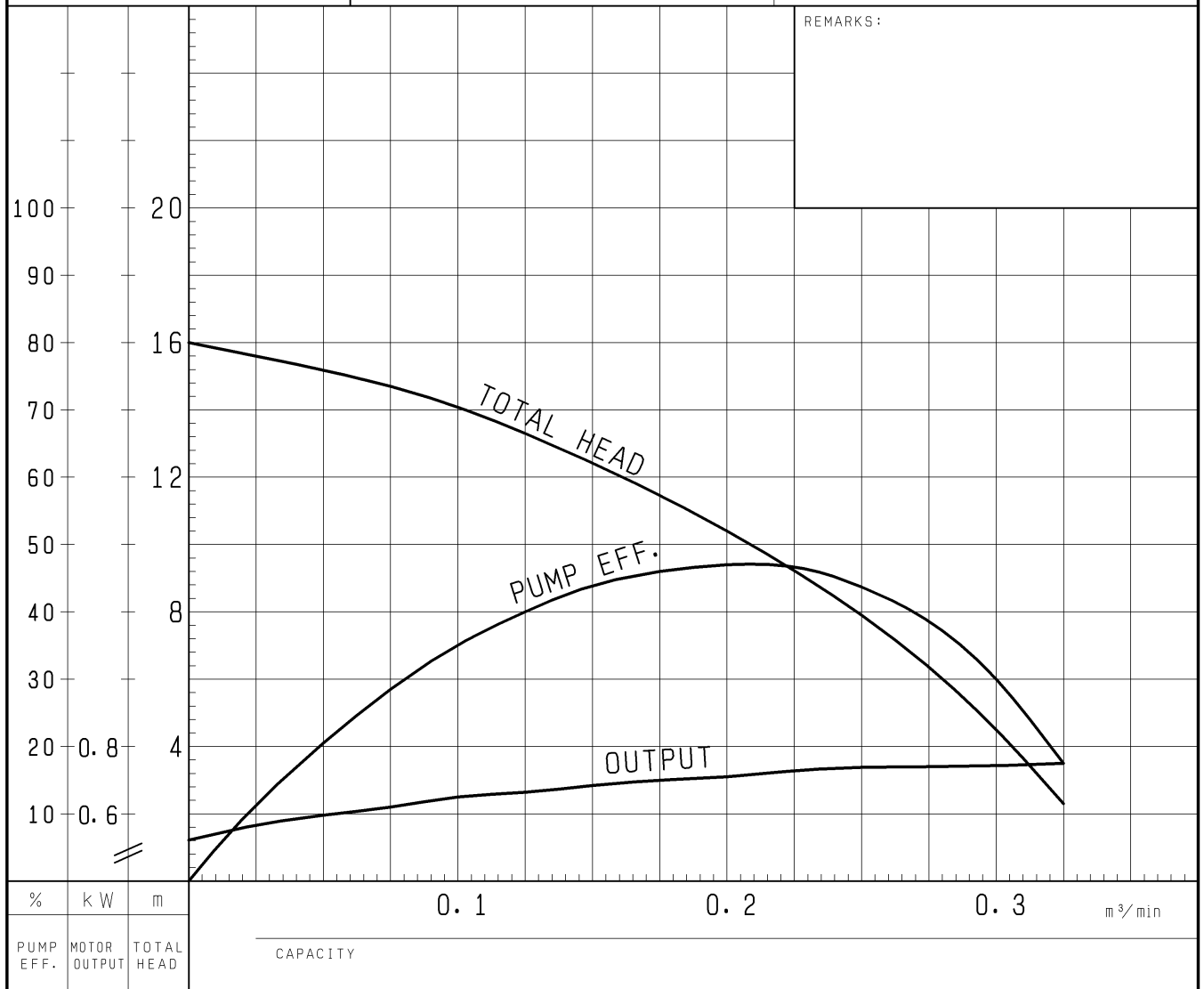
FREQUENCY 50 Hz

CUSTOMER'S NAME

EQUIPMENT TITLE

NO.

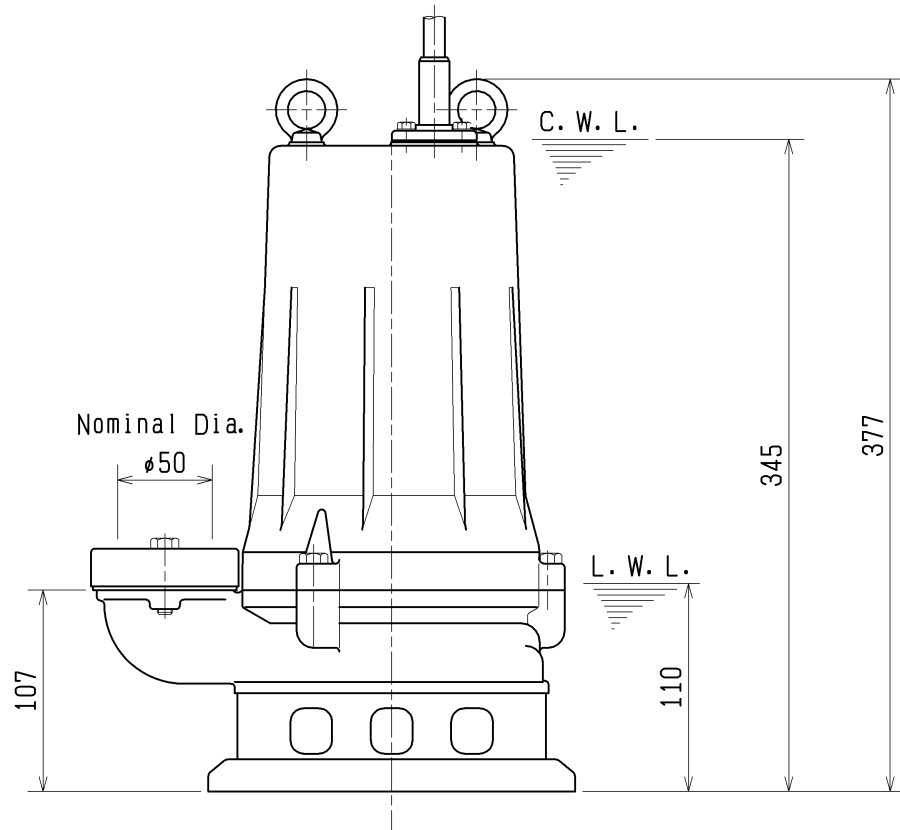
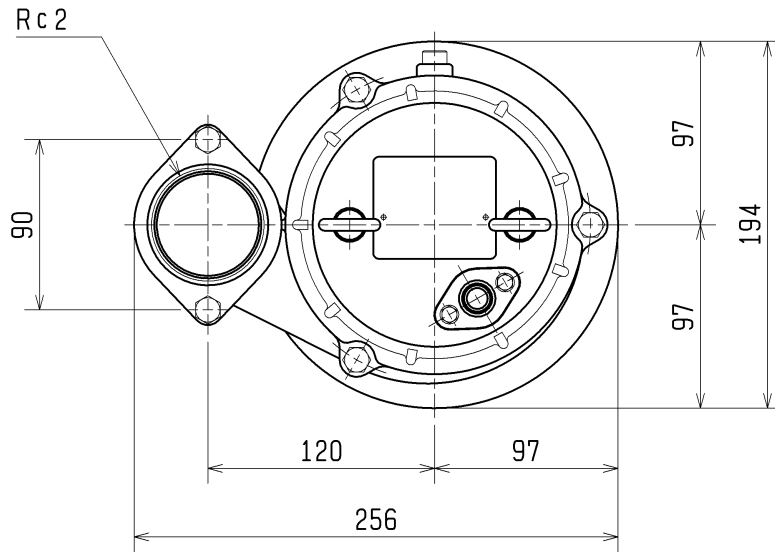
	STANDARD SPECIFICATIONS	REQUIRED SPECIFICATIONS
DISCHARGE BORE	50 mm	mm
TOTAL HEAD	14 m	m
CAPACITY	0.1 m ³ /min	m ³ /min
MOTOR OUTPUT	0.75 kW	kW
PHASE × VOLTAGE	3 φ × V	φ × V
CURRENT	A	A
POLES / REVOLUTION	2 P / s. s. 3000 min ⁻¹	P / min ⁻¹
STARTING METHOD	DIRECT ON LINE	
INSULATION CLASS	E	



TSURUMI MFG. CO., LTD.

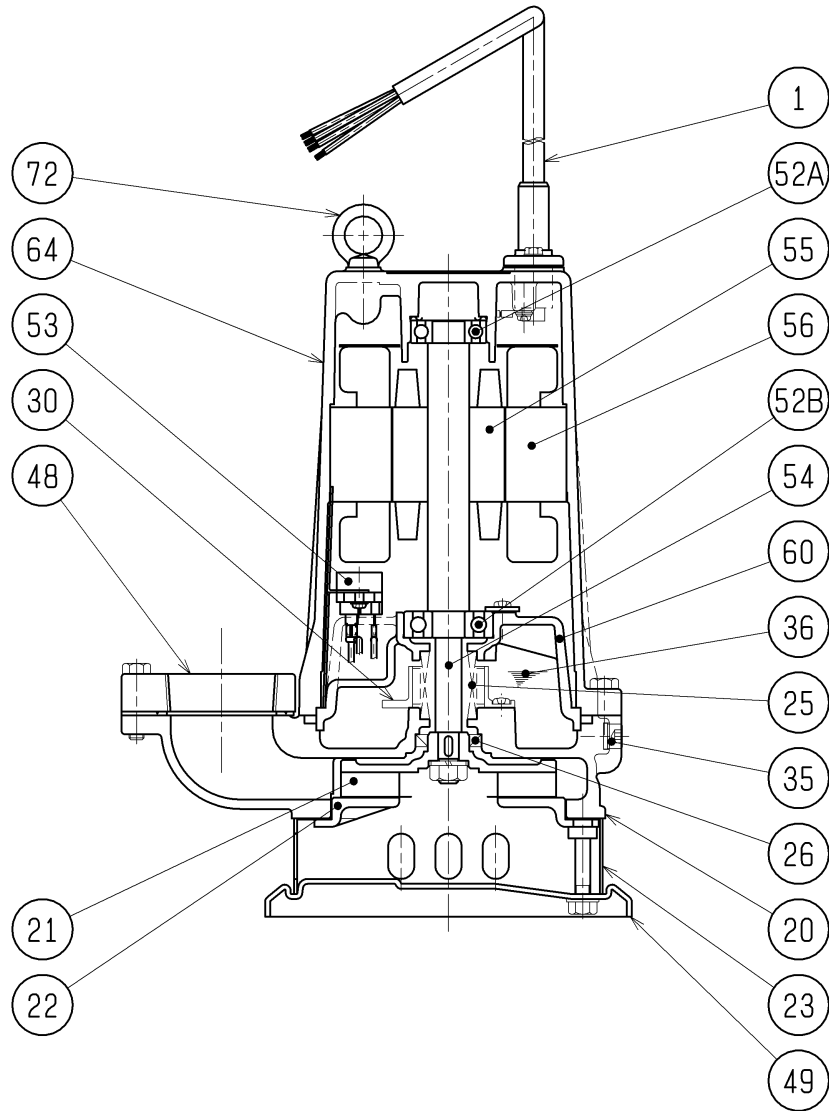
DIMENSION DRAWING		No.	No. A-20050-1
TYPE	Submersible Centrifugal Effluent Pump	MODEL	50SF2.75 -53/63

Approximate Weight(*)
20kg
*excluding cable



C.W.L. :Continuous running Water Level
L.W.L. :Lowest running Water Level

SECTIONAL DRAWING		No.	No. A-20074-1
TYPE	Submersible Centrifugal Effluent Pump	MODEL	50SF2.75 -53/63



REQ. SPECIFICATION

No.	DESCRIPTION	QTY	MATERIAL / NOTE	No.	DESCRIPTION	QTY	MATERIAL / NOTE
1	Cable	1	PVC Sheath	52A	Upper Bearing	1	6203ZCC3
20	Pump Casing	1	Gray Iron Casting	52B	Lower Bearing	1	6303ZCC3
21	Impeller	1	Gray Iron Casting	53	Motor Protector	1	
22	Suction Cover	1	Gray Iron Casting	54	Shaft	1	Stainless Steel 420J2
23	Strainer	1	Steel Sheet	55	Rotor	1	
25	Mechanical Seal	1	W-14HC	56	Stator	1	
26	Oil Seal	1	SC22357	60	Bearing Housing	1	Gray Iron Casting
30	Oil Lifter	1	Plastic	64	Motor Frame	1	Gray Iron Casting
35	Oil Plug	1	Stainless Steel 304	72	Eye Bolt	2	Stainless Steel 304
36	Lubricant		Turbine Oil (ISO VG32)				
48	Screwed Flange	1	Plastic				
49	Bottom Plate	1	Steel Sheet				