

SPECIFICATIONS	Model	50SF21.5	
		SF-series	
		1.5kW, 3-phase	

<p><b>Type of Pump</b> Submersible cast iron high-head pump suitable for pumping wastewater and storm water</p> <p><b>Type of Fluid</b> Wastewater and water carrying small solid matters</p> <p>Temperature: 0 to 40°C (High temperature model available on special request)</p> <p><b>Discharge Bore</b> 50mm</p> <p><b>Motor Output</b> 1.5kW</p> <p><b>Power Supply</b> Three-phase</p> <p><b>Starting Method</b> Direct on Line</p> <p><b>Motor</b> Continuous-duty rated, dry-type induction motor</p> <p>Insulation Class: F Degree of Protection: IP68</p> <p>No. of Poles &amp; Speed (Synchronous Speed) 2-pole, 3000/3600min<sup>-1</sup> (50/60Hz)</p> <p>Power Supply Voltages &amp; Rated Currents</p> <table border="0"> <tr> <td>50Hz</td> <td>60Hz</td> </tr> <tr> <td>380V – 3.5A</td> <td>220V – 6.0A</td> </tr> <tr> <td>400V – 3.5A</td> <td>380V – 3.4A</td> </tr> <tr> <td>415V – 3.5A</td> <td>440V – 3.2A</td> </tr> </table> <p><b>Power Cable</b> Sheath: PVC Standard Length: 6m 200 to 600V supply: 1 × 4 × 1.25mm<sup>2</sup>, O.D. 11.1mm</p> <p><b>Dry Weight</b> (excluding cable) Free Standing Type: 33kg Guide Rail Fitting Type: 32kg</p>	50Hz	60Hz	380V – 3.5A	220V – 6.0A	400V – 3.5A	380V – 3.4A	415V – 3.5A	440V – 3.2A	<p><b>Impeller</b> Semi-open multi-vane impeller made of cast iron, dynamically balanced</p> <p>Solids Passage 50Hz – φ11mm 60Hz – φ10mm</p> <p><b>Cable Entry with Anti-Wicking Block</b> Watertight cable entry with strain-relief device. The anti-wicking block prevents water incursion due to capillary action should the power cable be damaged or the end submerged.</p> <p><b>Bearings</b> Permanently lubricated, deep-groove, double-shielded C3 ball bearings</p> <p><b>Shaft</b> 420 stainless steel</p> <p><b>Shaft Seal (Mechanical Seal)</b> Furnished with a double-face mechanical seal located in oil chamber. Both upper and lower seal faces always run in a clean environment.</p> <p>Upper Seal Faces: Ceramic + Carbon Lower Seal Faces: SiC + SiC</p> <p><b>Oil Seal (Lip Seal)</b> Used as a “Dust Seal”, it protects the mechanical seal from abrasive particles.</p> <p><b>OIL LIFTER (Patented)</b> Equipped in oil chamber. It forcibly supplies lubricating oil to the mechanical seal and continues to supply the oil to the upper seal faces even if lubricant falls below the rated volume.</p> <p>Type of Lubricating Oil &amp; Volume Turbine Oil (ISO VG32), 910ml</p> <p><b>Motor Protection Device</b> A circle thermal protector built in the motor housing. Directly cuts the motor circuit if excessive heat builds up or an overcurrent condition occurs in the motor.</p>
50Hz	60Hz								
380V – 3.5A	220V – 6.0A								
400V – 3.5A	380V – 3.4A								
415V – 3.5A	440V – 3.2A								

**Optional Accessories**
**Bend Set** (Free Standing Type)

- Discharge Bend
- Screwed Flange

**TOS Set** (Guide Rail Fitting Type)

- Duckfoot Bend
- Guide Support
- Guide Hook
- Lifting Chain 5m (with Shackles)
- JIS 10kg/cm<sup>2</sup> Screwed Flange

**External Leakage Sensor**

NO. A-11544-1

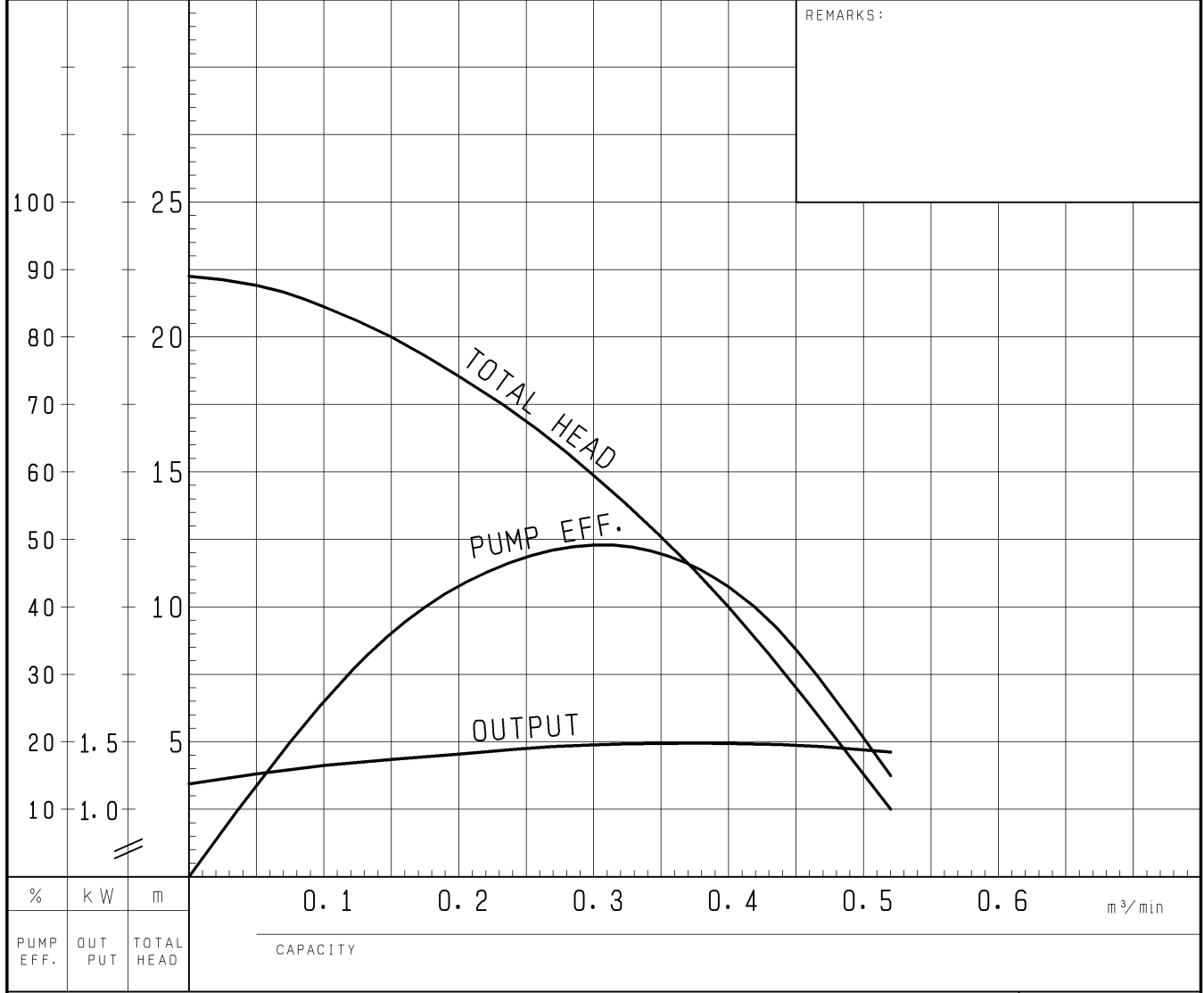
# PUMP PERFORMANCE CURVES

TYPE Waste Water Submersible Centrifugal Pump	MODEL 50SF (A/W) 21.5 -52 TOS50SF (A/W) 21.5 -52	FREQUENCY 50 Hz
---	--	--------------------

CUSTOMER'S NAME \_\_\_\_\_

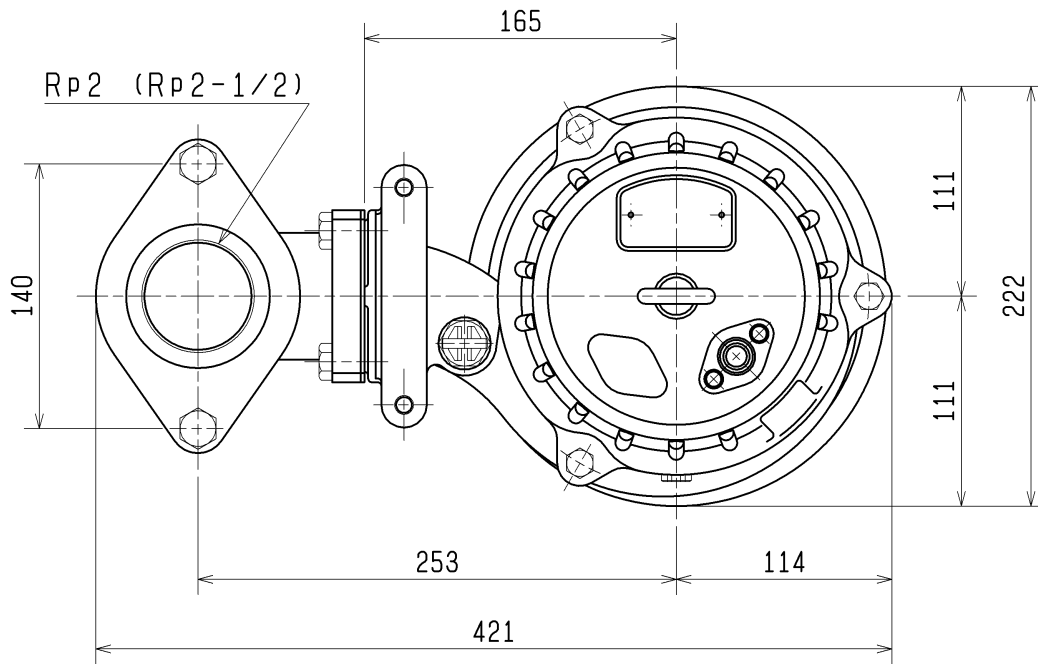
EQUIPMENT TITLE \_\_\_\_\_ NO. \_\_\_\_\_

	STANDARD SPECIFICATIONS	REQUIRED SPECIFICATIONS
DISCHARGE BORE	50 mm	mm
TOTAL HEAD	18.5 m	m
CAPACITY	0.2 m <sup>3</sup> /min	m <sup>3</sup> /min
MOTOR OUTPUT	1.5 kW	kW
PHASE x VOLTAGE	3 $\phi$ x V	$\phi$ x V
CURRENT	A	A
POLES / REVOLUTION	2 P / s. s. 3000 min <sup>-1</sup>	P / min <sup>-1</sup>
STARTING METHOD	DIRECT ON LINE	
INSULATION CLASS	F	

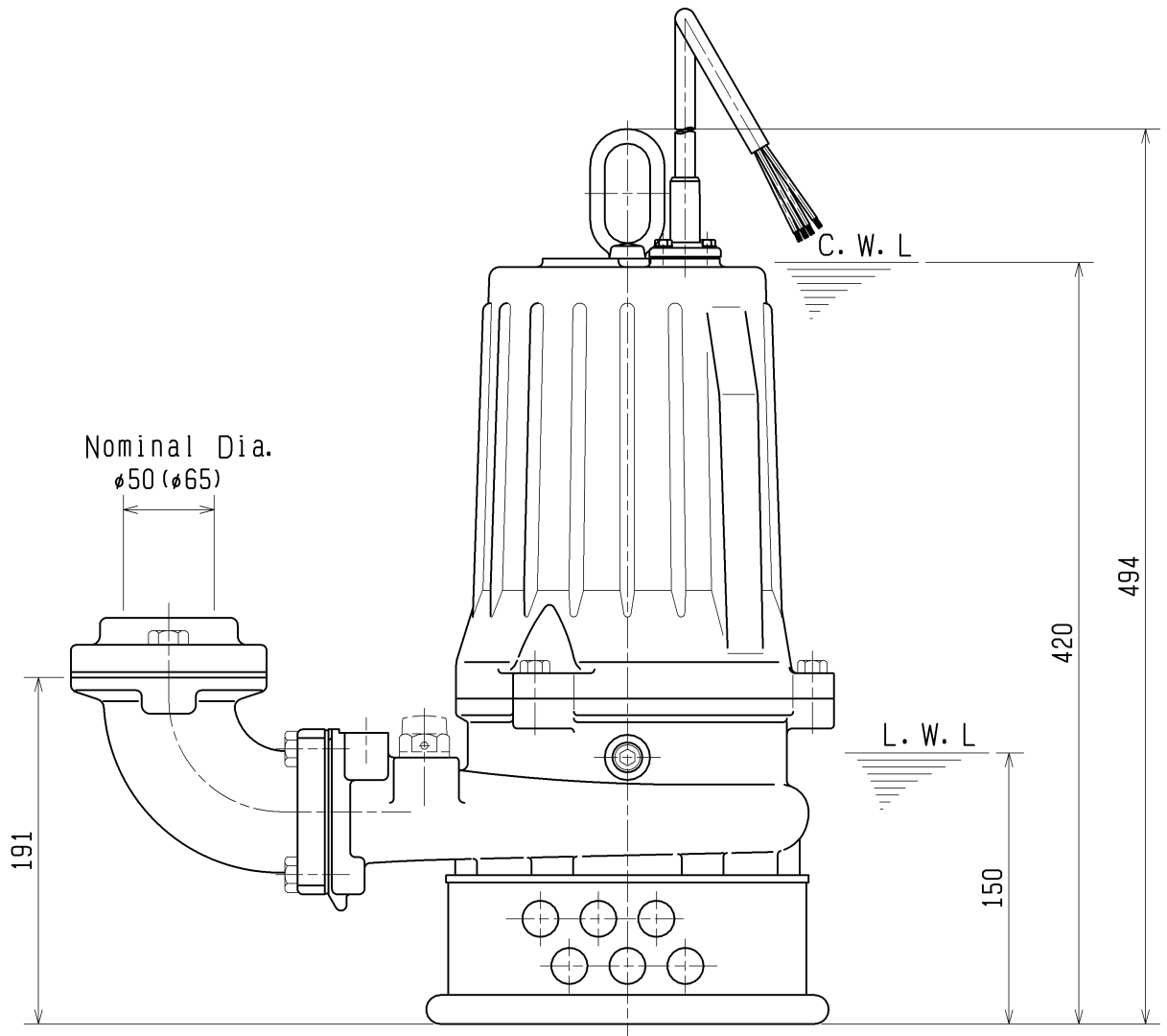


TSURUMI MFG. CO., LTD.

DIMENSION DRAWING		No.	No. A-11554-2
TYPE	Waste Water Submersible Centrifugal Pump	MODEL	50SF21.5 -52/62



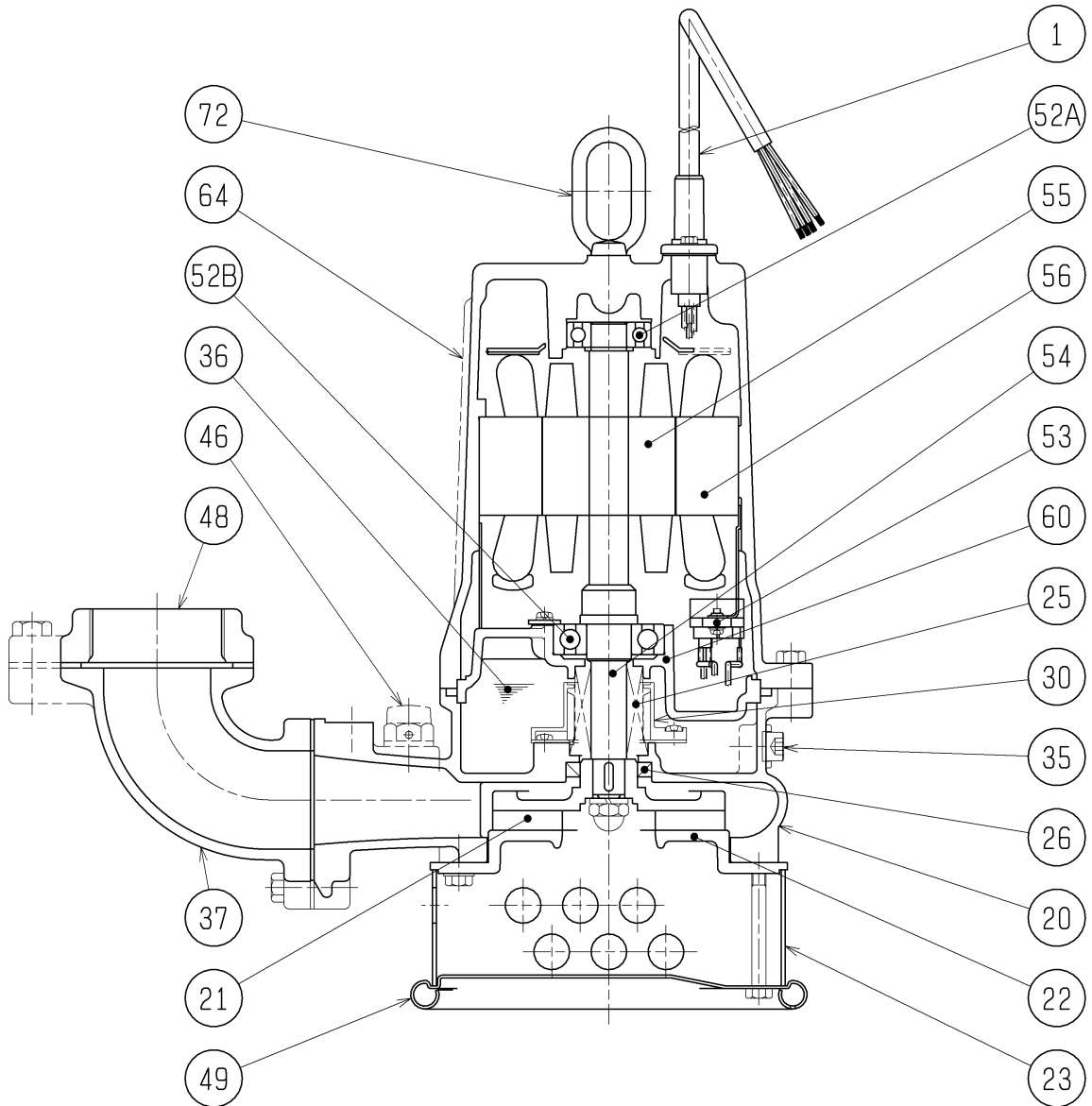
Approximate Weight (※)
33kg
※excluding cable



The Figure in ( ) shows the dimensions of discharge Bore at Nominal  $\phi 65$ .

C. W. L. : Continuous Running Water Level  
L. W. L. : Lowest Running Water Level

<b>SECTIONAL DRAWING</b>		No.	No. A-11562-3
TYPE Waste Water Submersible Centrifugal Pump	MODEL	50SF21.5 -52/62	



REQ. SPECIFICATION

※ the wetted part

No.	DESCRIPTION	Q'TY	MATERIAL / NOTE	No.	DESCRIPTION	Q'TY	MATERIAL / NOTE
1	Cable	1	PVC Sheath	49	Bottom Plate	1	Steel Sheet
20	Pump Casing	1	Gray Iron Casting	52A	Upper Bearing	1	6204ZZC3
21	Impeller	1	Gray Iron Casting	52B	Lower Bearing	1	6305ZZC3
22	Suction Cover	1	Gray Iron Casting	53	Motor Protector	1	
23	Strainer	1	Steel Sheet	54	Shaft	1	Stainless Steel 420J2(※)
25	Mechanical Seal	1	H-20A	55	Rotor	1	
26	Oil Seal	1	TC32488	56	Stator	1	
30	Oil Lifter	1	Plastic	60	Bearing Housing	1	Gray Iron Casting
35	Oil Plug	1	Stainless Steel 304	64	Motor Frame	1	Gray Iron Casting
36	Lubricant		Turbine Oil (ISO VG32)	72	Eye Bolt	1	Stainless Steel 304
37	Discharge Bend	1	Gray Iron Casting				
46	Air Release Valve	1	Nylon				
48	Screwed Flange	1	Gray Iron Casting				