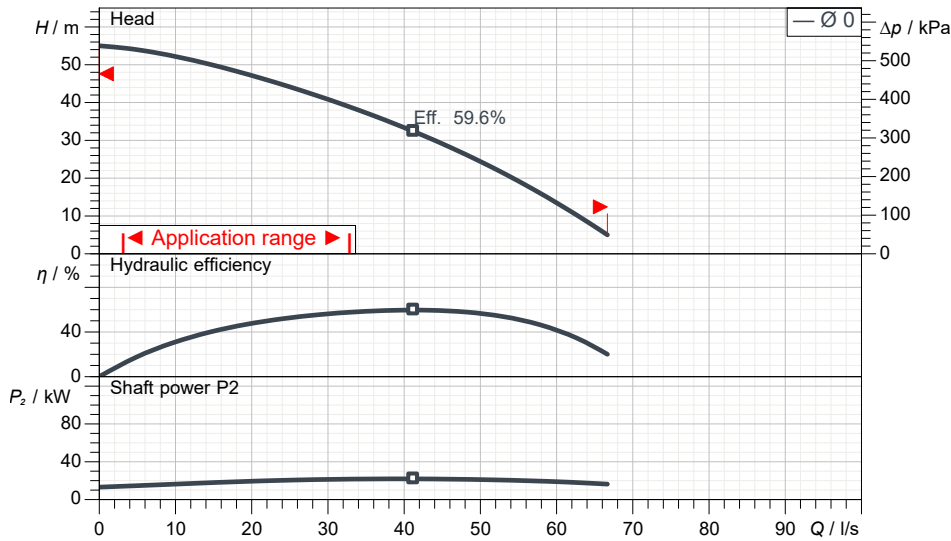


KTZ622-51 380-415V
Technical specification
3~ 50 Hz

Pump

Series	KTZ
Pump name	KTZ622-51 380-415V
Standard	N/A

Motor data

Motor	JT1-2-22-KTZ D
Rated voltage	380 V
Frequency	50 Hz
Motor phases	3~
Number of poles	2
Rated power P2	22.00 kW
Rated current	39.7 A
rpm	2915 1/min
Rated torque	72.1 Nm
Start*	Direct starting

Degree of protection	IP 68
Insulation class	H
Protection device	Miniature protector
Type of oil	Turbine oil VG32
Oil amount	2 l

Hydraulic

Free passage	
Impeller type	Semi-open impeller
Max. hydraulic efficiency	59.6 %
Discharge	150 mm
Curve tolerance	UNI EN ISO 9906:2012

Operating limits (standard pumps)

Max. ambient temperature	40 °C
Max. density treated liquid	1030 kg/m ³
pH treated liquid	5-9
Max. start per hour (equally distributed)	3
Wet/dry use	WET
Operating mode	S1

Construction materials

Motor enclosure	Gray Iron Casting 200
Shaft	420J2 Stainless Steel
Pump Casing	Gray Iron Casting 200
Impeller	High chromium casting
Suction Cover	Ductile Iron Casting 500
Painting	Epoxy paint (Black)
Screws	304 Stainless Steel
Gaskets	NBR

Construction features

Power cable1	4C*14mm ² /2C*2mm ²
Power cable2	N/A
Sheath	2PNCT.F
Control cable	N/A
Sheath	N/A
Cable length	10 m
Mechanical seals	H-35T
Weight*	296 kg

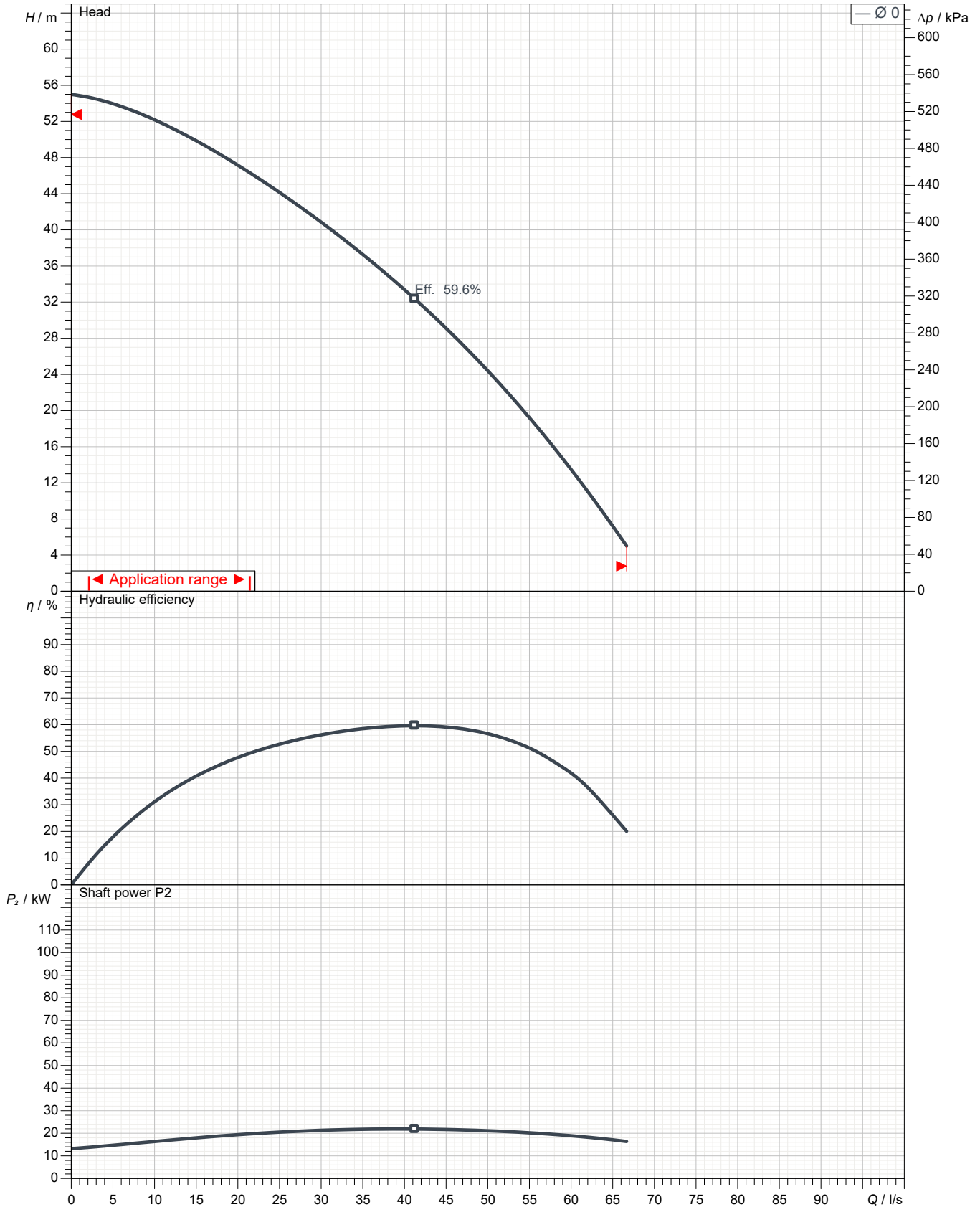
* cable and fixing system excluded

Monitoring features

Monitoring option	
leaking sensor -	N/A
monitoring equipment -	

KTZ622-51 380-415V
Pump performance curves
3 ~ 50 Hz

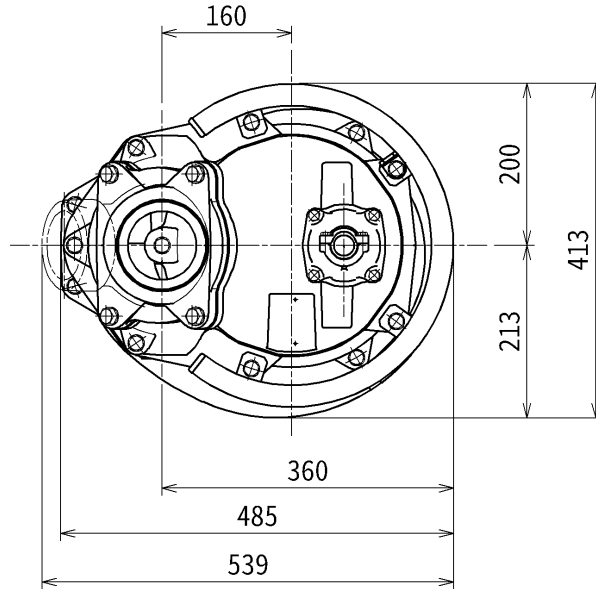
Discharge 150 mm	Head	Capacity	Rated power 22.0 kW	Voltage 380 V	Current 39.7 A	rpm 2915 1/min
----------------------------	-------------	-----------------	-------------------------------	-------------------------	--------------------------	--------------------------


 Characteristic curves according to UNI EN ISO 9906:2012 for pumps with standard material combination
 P₂<10kW: paragraph 4.4.2
 10kW<P₂<100kW: Grade 3B
 P₂>100kW: Grade 2B

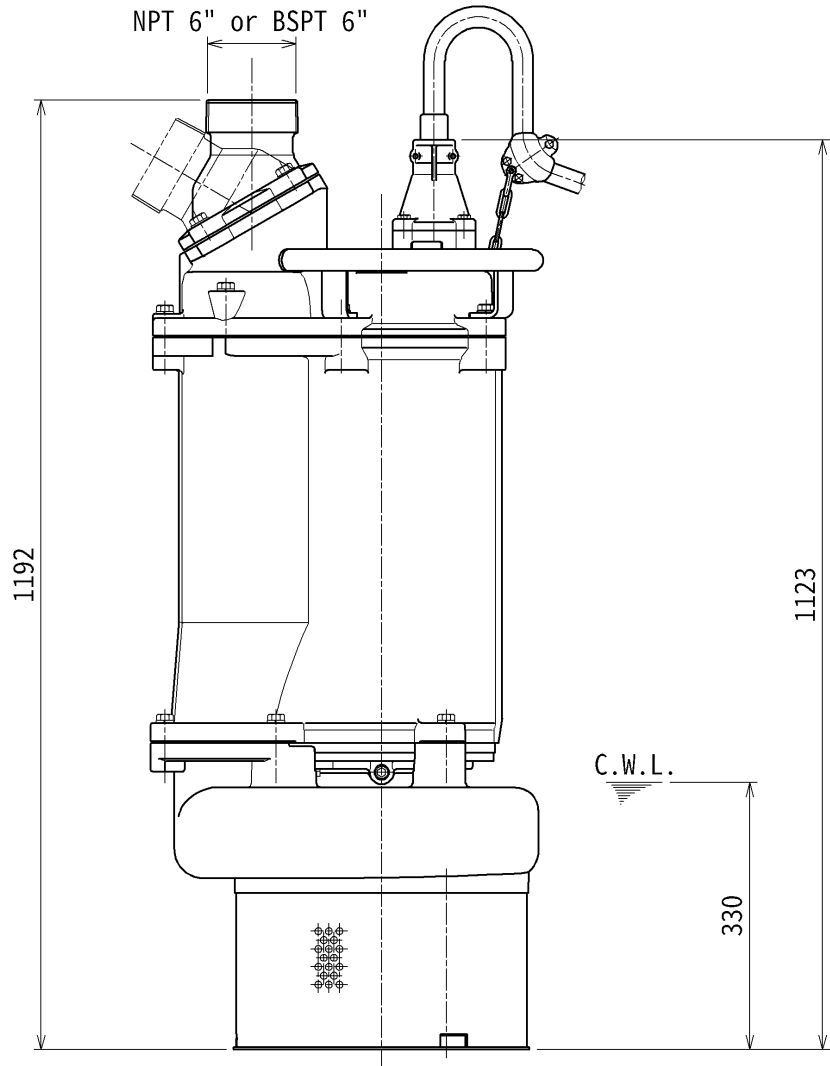
DIMENSION DRAWING		No.	No.
TYPE Submersible Dewatering Pump		MODEL KTZ622 -51	

Approximate Weight(※)
296kg

※excluding cable



Nominal Dia.
NPT 6" or BSPT 6"



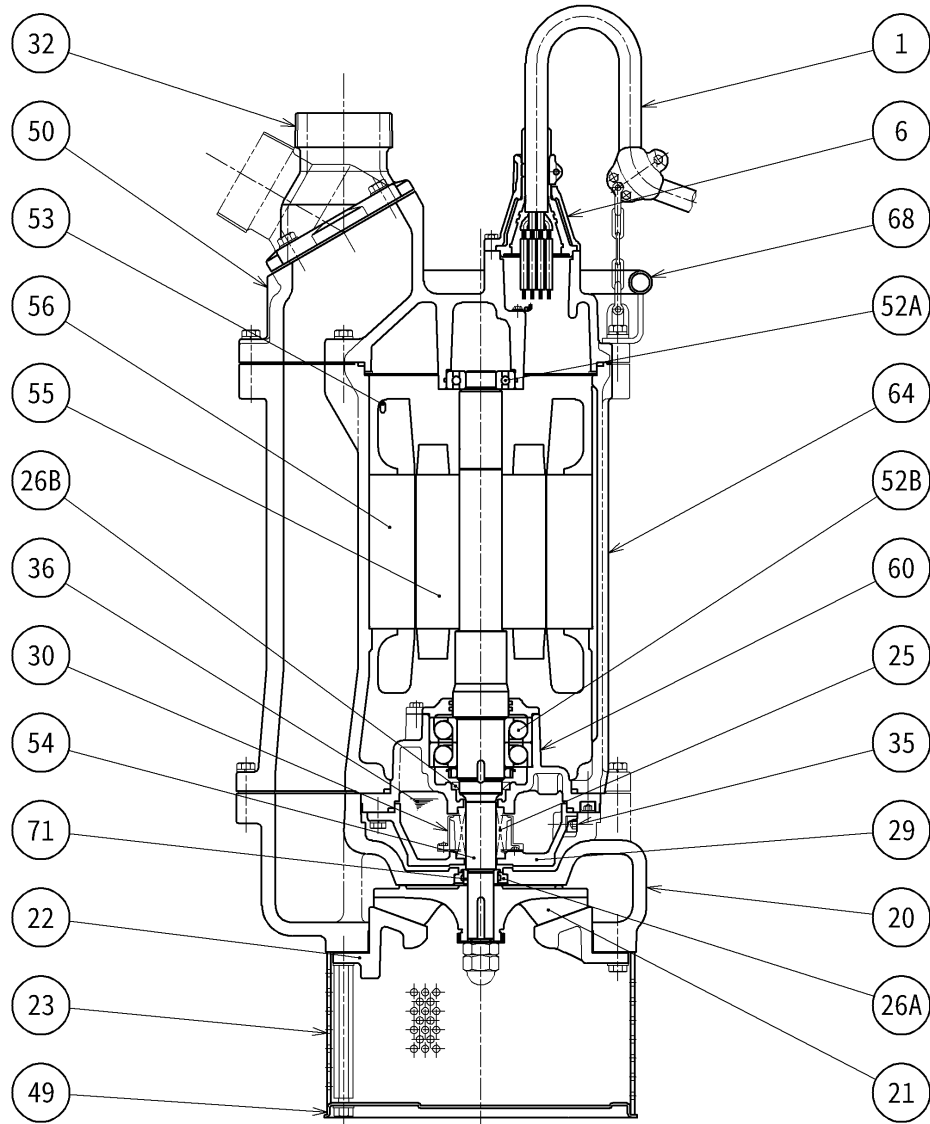
C.W.L.:Continuous running Water Level

TSURUMI MFG. CO., LTD.

unit:mm

Created on: 2025-01-20

SECTIONAL DRAWING		No.	No. A-26988-35Z
TYPE	Submersible Dewatering Pump	MODEL	KTZ622 -51



REQ. SPECIFICATION	

No.	DESCRIPTION	Q'TY	MATERIAL / NOTE	No.	DESCRIPTION	Q'TY	MATERIAL / NOTE
1	Cabtyre Cable	1	Chloroprene Sheath	49	Bottom Plate	1	Steel Plate
6	Stuffing Box	1	Gray Iron Casting 200	50	Motor Bracket	1	Gray Iron Casting 200
20	Pump Casing	1	Gray Iron Casting 200	52A	Upper Bearing	1	6307ZC3
21	Impeller	1	Chromium Iron Casting	52B	Lower Bearing	1	7311DBC3
22	Suction Cover	1	Ductile Iron Casting 500	53	Motor Protector	3	
23	Strainer	1	Structure Steel 400	54	Shaft	1	420J2 Stainless Steel
25	Mechanical Seal	1	H-35T	55	Rotor	1	
26A	Labyrinth Ring	1	304 Stainless Steel	56	Stator	1	
26B	Oil Seal	1	SC50689	60	Bearing Housing	1	Gray Iron Casting 200
29	Oil Casing	1	Gray Iron Casting 200	64	Motor Frame	1	Gray Iron Casting 200
30	Oil Lifter	1	Plastic	68	Handle	1	Carbon Steel Pipe & Steel Sheet
32	Hose Coupling	1	Gray Iron Casting 200	71	Shaft Sleeve	1	403 Stainless Steel
35	Oil Plug	1	304 Stainless Steel				
36	Lubricant		Turbine Oil(ISO VG32)				

TSURUMI MFG. CO., LTD.

Created on: 2025-01-20

All data shown are not binding. Tsurumi reserves the right to change data and dimensions without notice.